



Multilayer Chip Inductors-JL Series

JLseries For General Use



Features

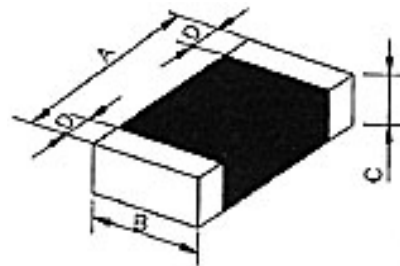
- 1.High mounting density of compact circuit due to crosstalk elimination that results from a closed magnetic flux in a ferrite material
- 2.Suitable for flow and reflow soldering.
- 3.Available in 4 sizes.

Applications

personal computers,HDDs or other various electronic appliances.

Any general circuit of portable equipment in which compact size and high mounting densities are required

Dimensions (mm)



Product Identification

JL 160808- 1R2 K - PF

JL: SERIES NAME

160808:DIMENSION SIZE CODE

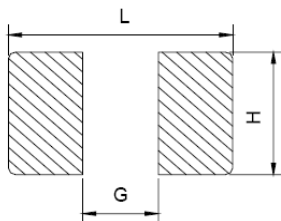
1R2: INDUCTANCE CODE.

K: TOLERANCE, J=5% K=10% M=20%.

PF: Pb Free

SERIES	A	B	C	D
JL160808	1.6±0.2	0.8±0.2	0.8±0.2	0.3±0.2
JL201209	2.0±0.2	1.25±0.2	0.9±0.2	0.5±0.3
JL201212	2.0±0.2	1.25±0.2	1.25±0.2	0.5±0.3
JL321611	3.2±0.2	1.6±0.2	1.1±0.2	0.5±0.3

RECOMMENDER P.C.B LAYOUT



SERIES	L	G	H
JL160808	2.4-3.4	0.8	0.6
JL201209	3.0-4.0	1.2	1.0
JL201212	3.0-4.0	1.2	1.0
JL321611	4.2-5.2	2	1.2



Multilayer Ferrite Chip Inductors-JL Series

JLseries For General Use

Electrical Characteristics

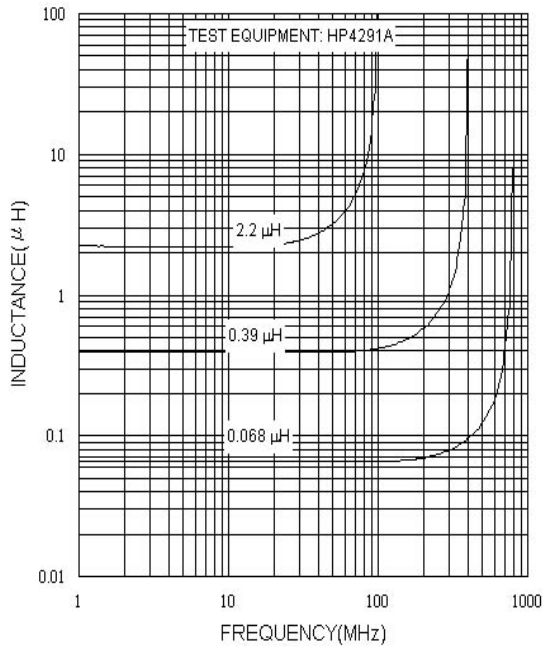
Part Number	Inductance (uH)	Tolerance ±%	Q Min.	Test Frequency (MHz)	SRF (MHz)min	DC Resistance (Ω) Max	IDC (mA)Max
JL160808-10N□-PF	0.010	20	15	50	300	0.2	50
JL160808-33N□-PF	0.033	20	15	50	270	0.2	50
JL160808-47N□-PF	0.047	20	15	50	260	0.3	50
JL160808-56N□-PF	0.056	20	15	50	255	0.3	50
JL160808-68N□-PF	0.068	20	15	50	250	0.3	50
JL160808-82N□-PF	0.082	20	15	50	245	0.3	50
JL160808-R10□-PF	0.10	10/20	25	25	240	0.5	50
JL160808-R12□-PF	0.12	10/20	25	25	205	0.5	50
JL160808-R15□-PF	0.15	10/20	25	25	180	0.6	50
JL160808-R18□-PF	0.18	10/20	25	25	165	0.6	50
JL160808-R22□-PF	0.22	10/20	25	25	150	0.8	50
JL160808-R27□-PF	0.27	10/20	25	25	136	0.8	50
JL160808-R33□-PF	0.33	10/20	25	25	125	0.85	35
JL160808-R39□-PF	0.39	10/20	25	25	110	1.00	35
JL160808-R47□-PF	0.47	10/20	25	25	105	1.35	35
JL160808-R56□-PF	0.56	10/20	25	25	95	1.50	35
JL160808-R68□-PF	0.68	10/20	25	25	85	1.70	35
JL160808-R82□-PF	0.82	10/20	25	25	75	2.10	35
JL160808-1R0□-PF	1.0	10/20	35	10	65	0.60	25
JL160808-1R2□-PF	1.2	10/20	35	10	60	0.80	25
JL160808-1R5□-PF	1.5	10/20	35	10	55	0.80	25
JL160808-1R8□-PF	1.8	10/20	35	10	50	0.95	25
JL160808-2R2□-PF	2.2	10/20	35	10	45	1.10	15
JL160808-2R7□-PF	2.7	10/20	35	10	40	1.30	15
JL160808-3R3□-PF	3.3	10/20	35	10	38	1.50	15
JL160808-3R9□-PF	3.9	10/20	35	10	36	1.70	15
JL160808-4R7□-PF	4.7	10/20	35	10	33	2.10	15
JL160808-5R6□-PF	5.6	10/20	35	4	22	1.50	5
JL160808-6R8□-PF	6.8	10/20	35	4	20	1.70	5
JL160808-8R2□-PF	8.2	10/20	30	4	18	2.10	5
JL160808-100□-PF	10	10/20	30	2	17	2.55	5



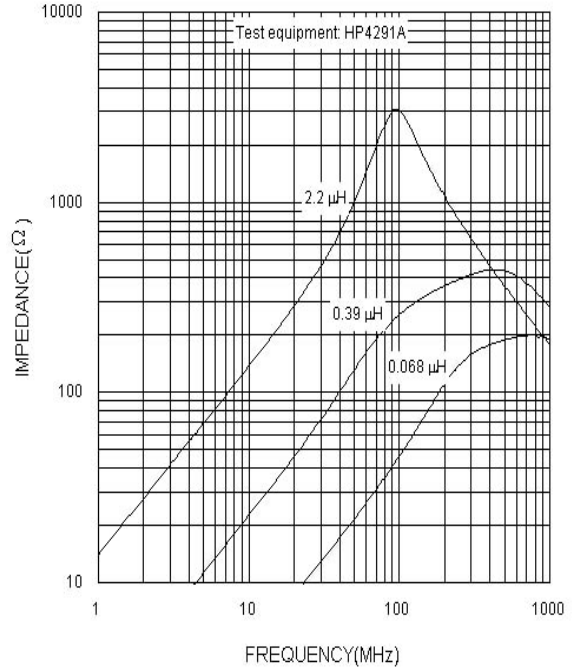
Multilayer Ferrite Chip Inductors-JL Series

JLseries For General Use

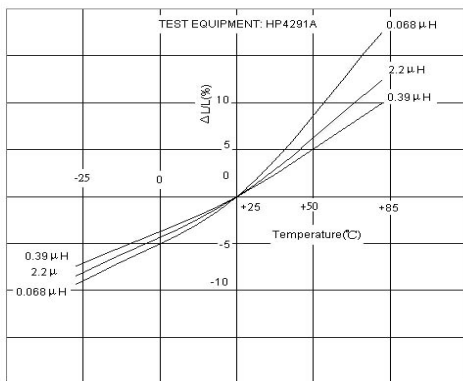
INDUCTANCE VS. FREQUENCY CHARACTERISTICS



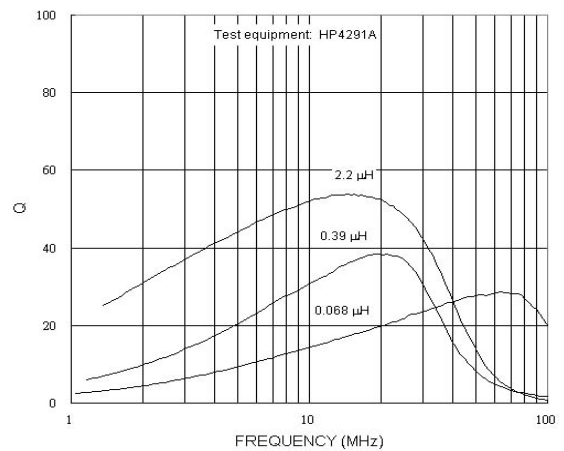
IMPEDANCE VS. FREQUENCY CHARACTERISTICS



INDUCTANCE VS. TEMPERATURE CHARACTERISTICS



Q VS. FREQUENCY CHARACTERISTICS





Multilayer Ferrite Chip Inductors-JL Series

JLseries For General Use

Electrical Characteristics

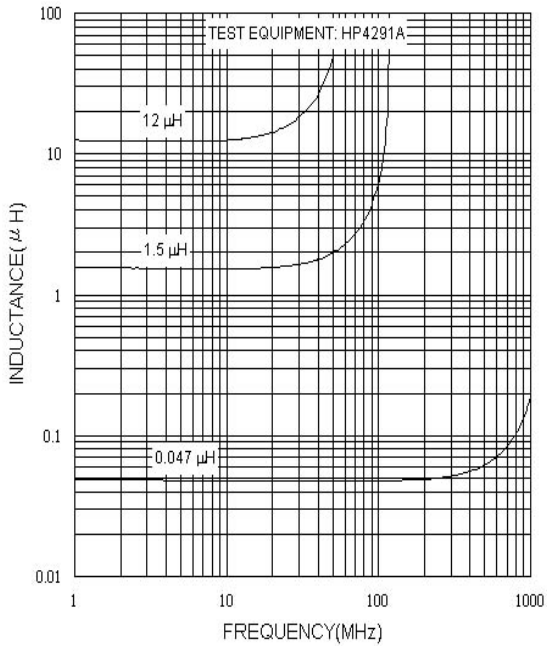
Part Number	Inductance (μ H)	Tolerance $\pm\%$	Q Min.	Test Frequency (MHz)	SRF (MHz)min	DC Resistance (Ω) Max	IDC (mA)Max
JL201209-47N□-PF	0.047	20	20	50	320	0.20	300
JL201209-68N□-PF	0.068	20	20	50	280	0.20	300
JL201209-82N□-PF	0.082	20	20	50	255	0.20	300
JL201209-R10□-PF	0.10	10/20	25	25	235	0.30	250
JL201209-R12□-PF	0.12	10/20	25	25	220	0.30	250
JL201209-R15□-PF	0.15	10/20	25	25	200	0.40	250
JL201209-R18□-PF	0.18	10/20	25	25	185	0.40	250
JL201209-R22□-PF	0.22	10/20	25	25	170	0.50	250
JL201209-R27□-PF	0.27	10/20	25	25	150	0.50	250
JL201209-R33□-PF	0.33	10/20	25	25	145	0.55	250
JL201209-R39□-PF	0.39	10/20	25	25	135	0.65	250
JL201209-R47□-PF	0.47	10/20	25	25	125	0.65	250
JL201209-R56□-PF	0.56	10/20	25	25	115	0.75	150
JL201209-R68□-PF	0.68	10/20	25	25	105	0.80	150
JL201209-R82□-PF	0.82	10/20	25	25	100	1.00	150
JL201209-1R0□-PF	1.0	10/20	45	10	75	0.40	50
JL201209-1R2□-PF	1.2	10/20	45	10	65	0.50	50
JL201209-1R5□-PF	1.5	10/20	45	10	60	0.50	50
JL201209-1R8□-PF	1.8	10/20	45	10	55	0.60	50
JL201209-2R2□-PF	2.2	10/20	45	10	50	0.65	30
JL201212-2R7□-PF	2.7	10/20	45	10	45	0.75	30
JL201212-3R3□-PF	3.3	10/20	45	10	41	0.80	30
JL201212-3R9□-PF	3.9	10/20	45	10	38	0.90	30
JL201212-4R7□-PF	4.7	10/20	45	10	35	1.00	30
JL201212-5R6□-PF	5.6	10/20	45	4	32	0.90	15
JL201212-6R8□-PF	6.8	10/20	45	4	29	1.00	15
JL201212-8R2□-PF	8.2	10/20	45	4	26	1.10	15
JL201212-100□-PF	10	10/20	45	2	24	1.10	15
JL201212-120□-PF	12	10/20	45	2	22	1.20	15
JL201212-150□-PF	15	10/20	30	1	19	0.80	5
JL201212-180□-PF	18	10/20	30	1	18	0.90	5
JL201212-220□-PF	22	10/20	30	1	16	1.1	5



Multilayer Ferrite Chip Inductors-JL Series

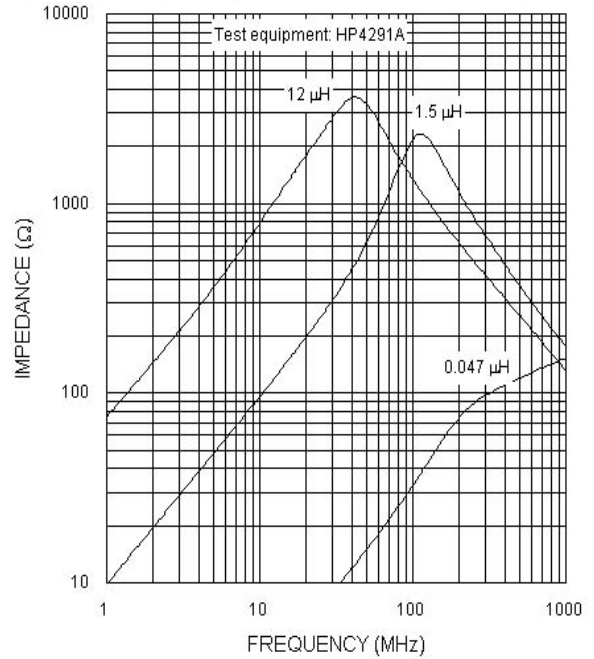
JLseries For General Use

INDUCTANCE VS. FREQUENCY CHARACTERISTICS



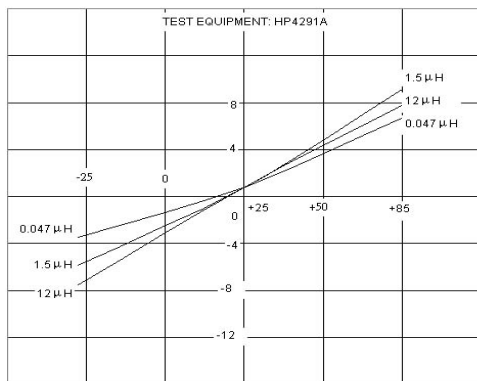
IMPEDANCE VS. FREQUENCY CHARACTERISTICS

CHARACTERISTICS

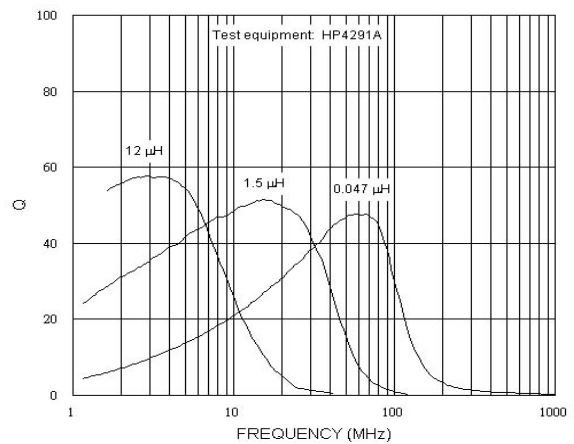


INDUCTANCE VS. TEMPERATURE CHARACTERISTICS

CHARACTERISTICS



Q VS. FREQUENCY CHARACTERISTICS



Multilayer Ferrite Chip Inductors-JL Series

JLseries For General Use

Electrical Characteristics

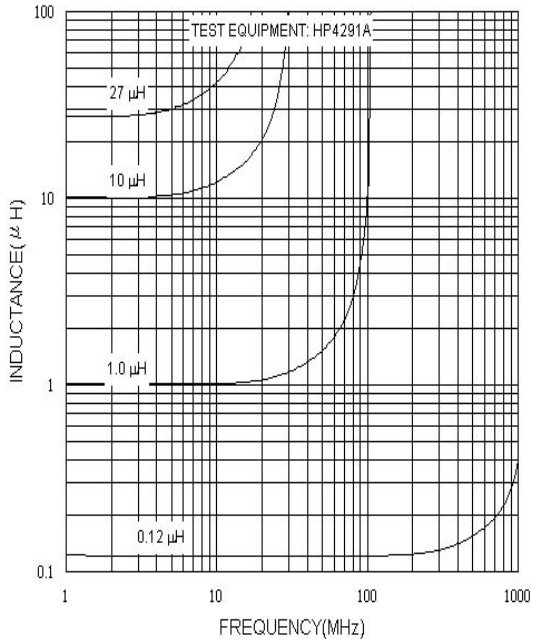
Part Number	Inductance (uH)	Tolerance ±%	Q Min.	Test Frequency (MHz)	SRF (MHz)min	DC Resistance (Ω) Max	IDC (mA)Max
JL321611T-47N□-PF	0.047	20	20	50	320	0.15	300
JL321611-68N□-PF	0.068	20	20	50	280	0.25	300
JL321611-82N□-PF	0.082	20	20	50	250	0.25	300
JL321611-R10□-PF	0.10	10/20	25	25	235	0.25	250
JL321611-R12□-PF	0.12	10/20	25	25	220	0.30	250
JL321611-R15□-PF	0.15	10/20	25	25	200	0.30	250
JL321611-R18□-PF	0.18	10/20	25	25	185	0.40	250
JL321611-R22□-PF	0.22	10/20	25	25	170	0.40	250
JL321611-R27□-PF	0.27	10/20	25	25	150	0.50	250
JL321611-R33□-PF	0.33	10/20	25	25	145	0.60	250
JL321611-R39□-PF	0.39	10/20	25	25	135	0.50	200
JL321611-R47□-PF	0.47	10/20	25	25	125	0.60	200
JL321611-R56□-PF	0.56	10/20	25	25	115	0.70	150
JL321611-R68□-PF	0.68	10/20	25	25	105	0.80	150
JL321611-R82□-PF	0.82	10/20	25	25	100	0.90	150
JL321611-1R0□-PF	1.0	10/20	45	10	75	0.40	100
JL321611-1R2□-PF	1.2	10/20	45	10	65	0.50	100
JL321611-1R5□-PF	1.5	10/20	45	10	60	0.50	80
JL321611-1R8□-PF	1.8	10/20	45	10	55	0.50	70
JL321611-2R2□-PF	2.2	10/20	45	10	50	0.60	60
JL321611-2R7□-PF	2.7	10/20	45	10	45	0.60	60
JL321611-3R3□-PF	3.3	10/20	45	10	41	0.70	60
JL321611-3R9□-PF	3.9	10/20	45	10	38	0.80	50
JL321611-4R7□-PF	4.7	10/20	45	10	35	0.90	50
JL321611-5R6□-PF	5.6	10/20	45	4	32	0.70	25
JL321611-6R8□-PF	6.8	10/20	45	4	29	0.80	25
JL321611-8R2□-PF	8.2	10/20	45	4	26	0.90	25
JL321611-100□-PF	10	10/20	45	2	24	1.00	25
JL321611-120□-PF	12	10/20	45	2	22	1.00	15
JL321611-150□-PF	15	10/20	35	1	19	0.7	5
JL321611-180□-PF	18	10/20	35	1	18	0.75	5
JL321611-220□-PF	22	10/20	35	1	16	0.90	5
JL321611-270□-PF	27	10/20	35	1	14	0.90	5
JL321611-330□-PF	33	10/20	35	1	13	1.05	5



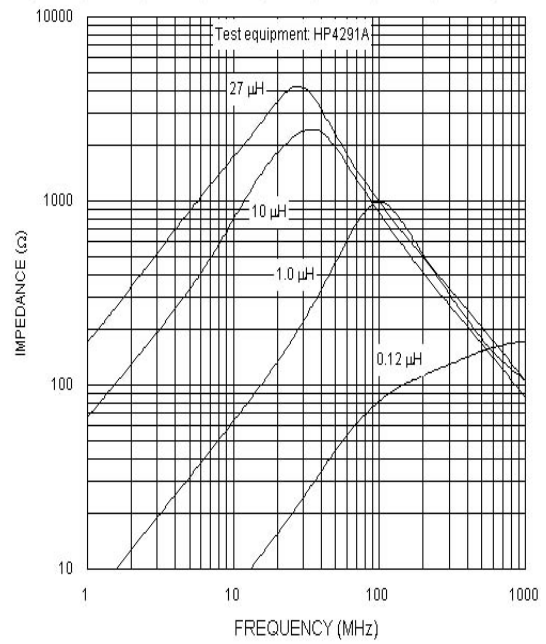
Multilayer Ferrite Chip Inductors-JL Series

JLseries For General Use

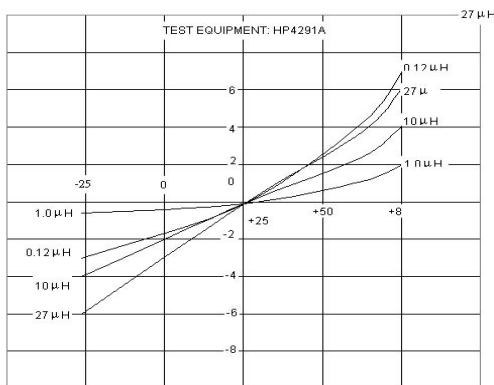
INDUCTANCE VS. FREQUENCY CHARACTERISTICS



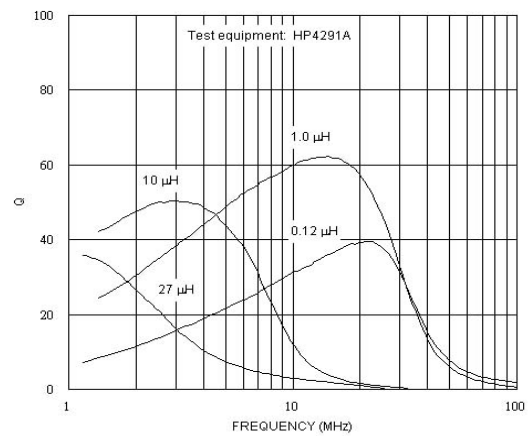
IMPEDANCE VS. FREQUENCY CHARACTERISTICS



INDUCTANCE VS. TEMPERATURE CHARACTERISTICS



Q VS. FREQUENCY CHARACTERISTICS

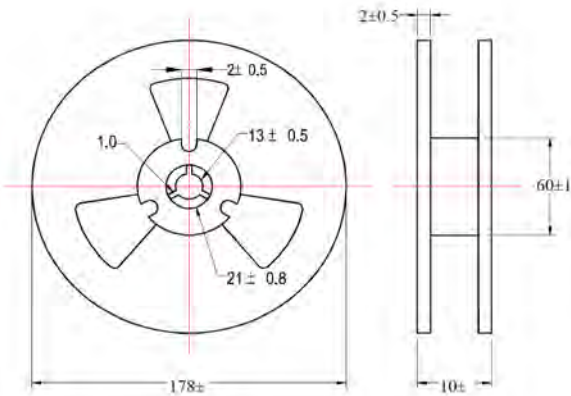




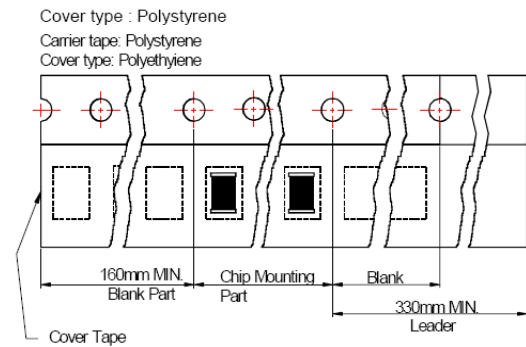
Multilayer Ferrite Chip Inductors-JL Series

PACKAGING

REEL Dimensions (mm)



TAPE Material



Carrier Tape: Polystyrene (for 201209, 201212, 321611 series)
Paper (for 160808)

Tape Dimensions (mm)

Figure A

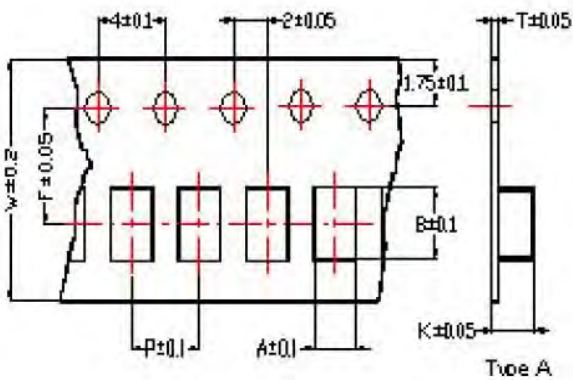
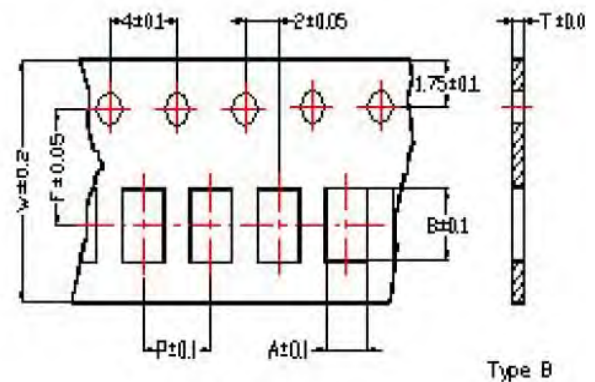


Figure B



TAPE DIMENSIONS AND PACKAGING QUANTITIES

TYPE	A	B	W	P	T	CHIPS / REEL
160808	1.01	1.8	8	4	0.95	4000
201209	1.42	2.24	8	4	0.22	4000
201212	1.42	2.24	8	4	0.22	4000
321611	1.88	3.5	8	4	0.22	3000