



SMD Common Mode Filters-SDF-Series

SDF series For DC Line Filter

Features

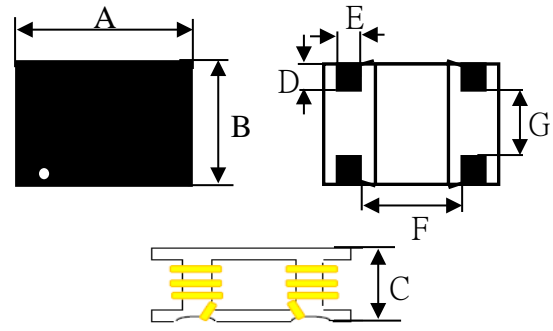
Miniature High current SMD type common mode filter
for fully automated assembly. Excellent Solderability



Applications

Notebook computers
DC-DC convertors
LCD DISPLAY

Dimensions (mm)



Product Identification

SDF 763 – 900 -PF

SDF: SERIES NAME

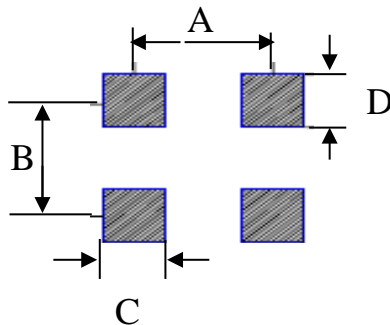
763:Dimensions CODE

900: IMPEDANCE CODE.

PF:Pb-Free

TYPE	A	B	C	D	E	F	G
SDF763	7.5±0.5	6.0±0.5	3.0±0.3	1.5	1.0	2.0	1.5
SDF1085	10.0±0.5	8.5±0.5	5.0±0.5	1.9	2.0	3.8	3.0
SDF1206	12.0±0.5	10.0±0.5	6.0±0.5	2.0	2.0	6.0	5.0

Recommended Pattern(mm)



TYPE	A	B	C	D
SDF763	4.0	3.0	2.5	1.8
SDF1085	7.0	5.6	3.5	3.0
SDF1206	9.0	7.0	3.5	3.0

SMD Common Mode Filters-SDF-Series

SDF series For DC Line Filter

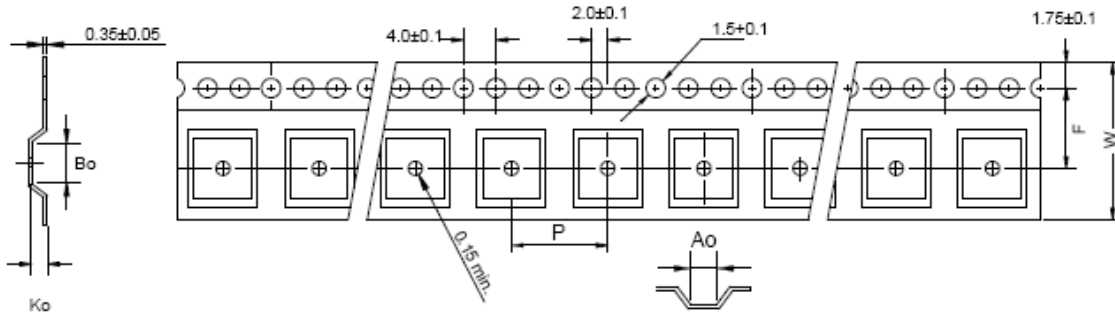
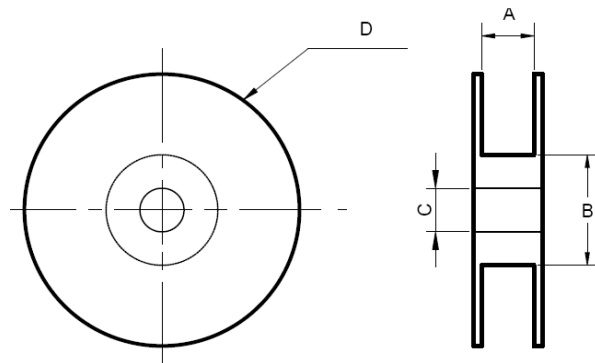
Electrical Characteristics

Part No.	Z (Ω)Min	RDC (m Ω)Max.	IDC (A)Max.	Test Freq. (MHz)
SDF763-351-PF	350	20	5.0	100
SDF763-601-PF	600	30	4.0	100
SDF763-701-PF	700	30	3.0	100
SDF763-901-PF	900	45	2.0	100
SDF1085-501-PF	500	10	7.0	100
SDF1085-701-PF	700	15	5.0	100
SDF1085-901-PF	900	15	5.0	100
SDF1206-701-PF	700	10	7.0	100
SDF1206-901-PF	900	15	6.0	100



SMD Common Mode Filters-SDF-Series

PACKAGING



TYPE	Tape Dimensions							Reel Dimensions				Quantity/Reel
	A	B	T	W	P	F	K	A	B	C	D	
SDF763	7.8	6.3	0.35	16	12	7.5	3.3	16.5	100	13±0.3	330	1000
SDF1085	10.30	8.8	0.35	24	16	11.5	5.3	24.5	100	17±0.3	330	500
SDF1206	12.30	10.30	0.35	24	16	11.5	6.30	24.5	100	17±0.3	330	500