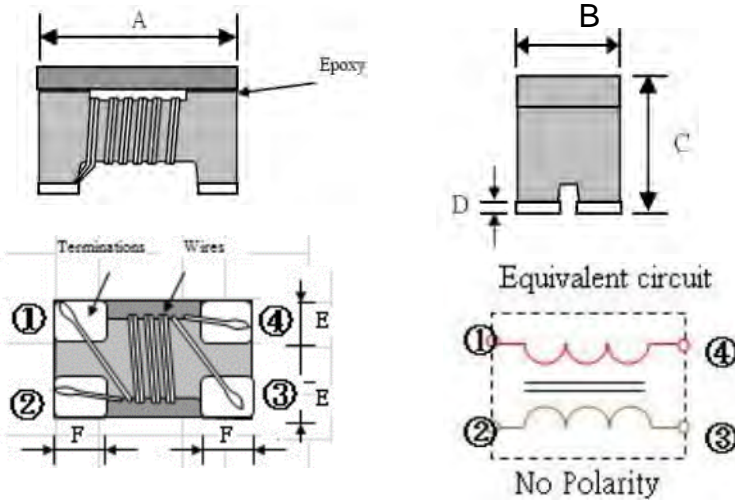


SPECIFICATION

ITEM P/N	DB32A-SERIES-PF	TEST INSTRUMENT	4291B、4339B
PRODUCT	COMMON MODE CHOKE	TEST FREQUENCY	100 MHz / 0.5V

PACKING DIMENSIONS (mm)



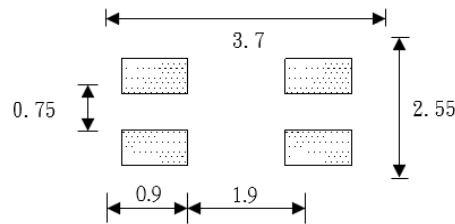
DB32A	Dimensions
A	3.2 ± 0.2
B	2.5 ± 0.2
C	2.2 ± 0.2
D	0.2 ± 0.1
E	0.80 Typ
F	0.65 Typ

EXPLANATION OF PART NUMBERS

DB	32A	-	800	S	-	PF
(1)	(2)		(3)	(4)		(5)

- (1) Product name
 (2) Shapes and dimensions
 (3) Impedance 【 at 100MHz 】
 800:80Ω
 (4) Tolerance
 S = ±25% ; M = ±20%

Recommended Footprint(mm)



ELECTRICAL CHARACTERISTICS

P/N	Z(Ω)	DCR (Ω)	Rated current	Rated Voltage	Insulation Resistance
	Common Mode				
	Impedance at 100MHz	[Max]	Idc(A)	Vdc	IR
			[Max]	(V)Typical	(MΩ)Min.
DB32A-800S-PF	80	0.15	2	50	10
DB32A-601S-PF	600	0.25	1	50	10
DB32A-102S-PF	1000	0.35	1.2	50	10
DB32A-601S-M01-PF	600	0.08	1.5	50	10
DB32A-102S-M01-PF	1000	0.10	1.2	50	10
DB32A-102S-M02-PF	1000	0.055	1.2	50	10

Operating temperature : -25 to +85°C

Storage temp. and humidity : -40 to +85°C ,70%RH max

Typical Heat Rating DC Current would cause an approximately ΔT of 40°C

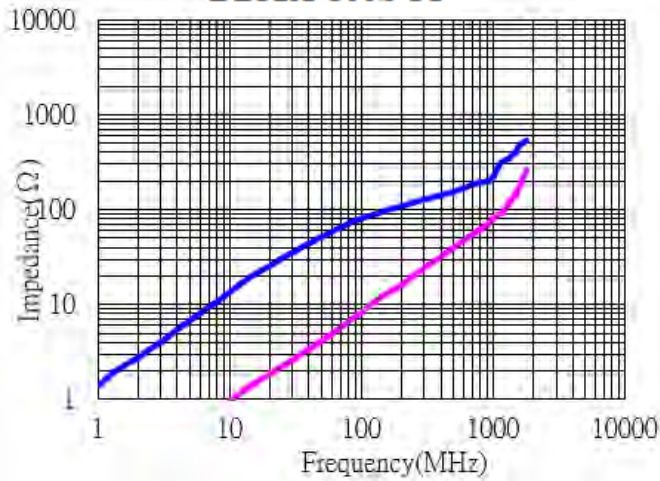
If Use Wave soldering is there will be some risk. Re-flow soldering temperatures below 240 degrees, there will be unwitting risk

CHARACTERISTICS

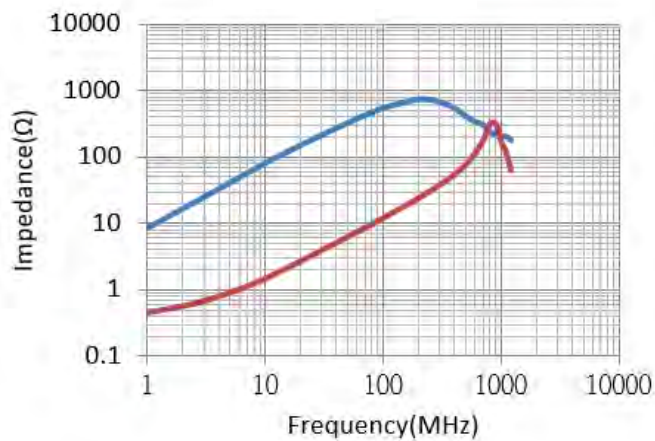
ITEM P/N	DB32A-SERIES-PF	TEST INSTRUMENT	4291B、4339B
PRODUCT	COMMON MODE CHOKE	TEST FREQUENCY	100 MHz / 0.5V

PERFORMANCE CURVES

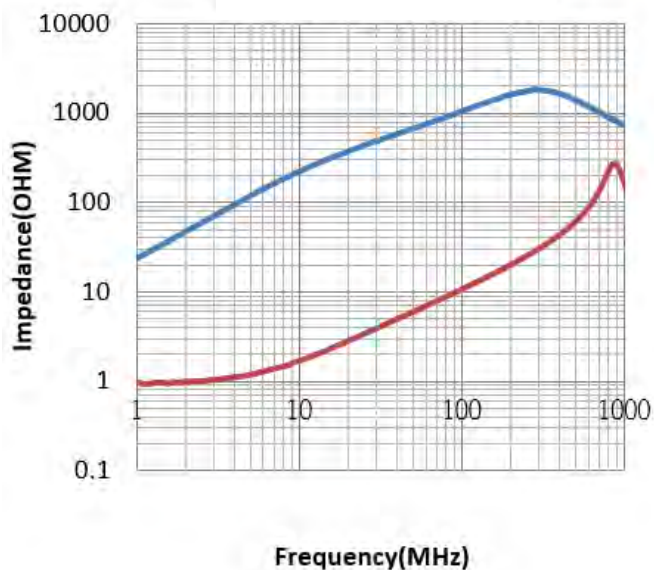
DB32A-800S-PF



DB32A-601S-PF



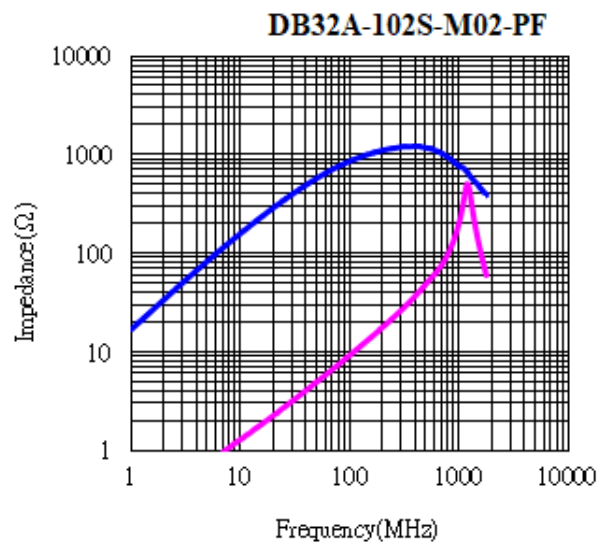
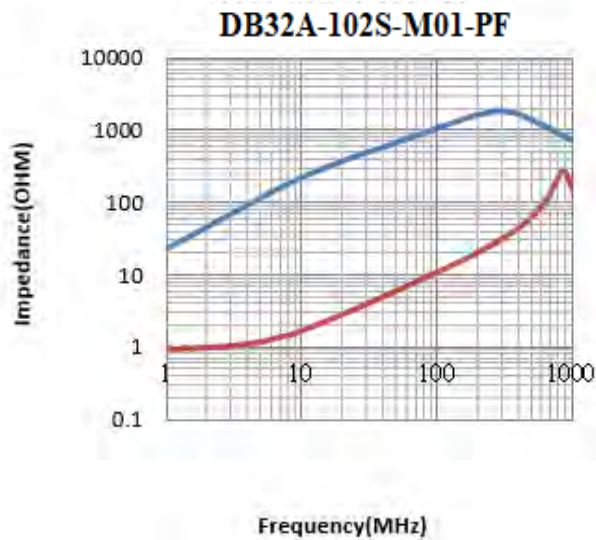
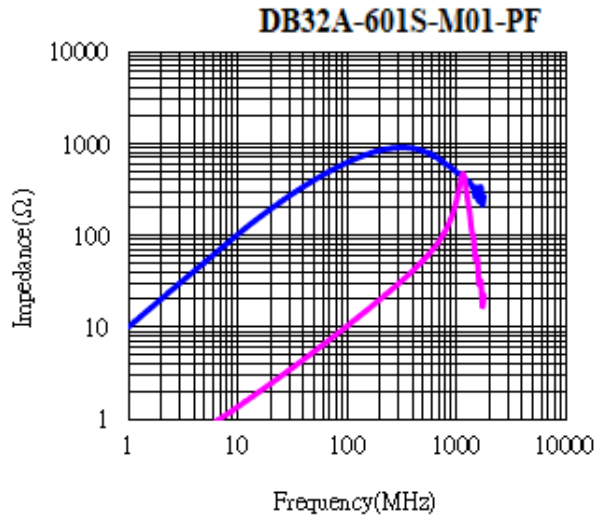
DB32A-102S-PF



CHARACTERISTICS

ITEM P/N	DB32A-SERIES-PF	TEST INSTRUMENT	4291B、4339B
PRODUCT	COMMON MODE CHOKE	TEST FREQUENCY	100 MHz / 0.5V

PERFORMANCE CURVES



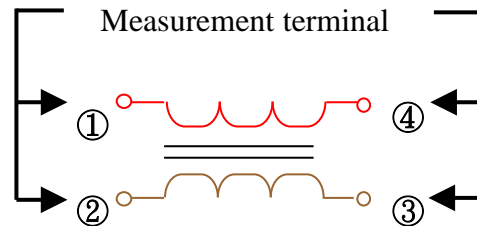
CHARACTERISTICS

ITEM P/N	DB32A-SERIES-PF	TEST INSTRUMENT	4291B、4339B
PRODUCT	COMMON MODE CHOKE	TEST FREQUENCY	100 MHz / 0.5V

Test Equipment

Impedance

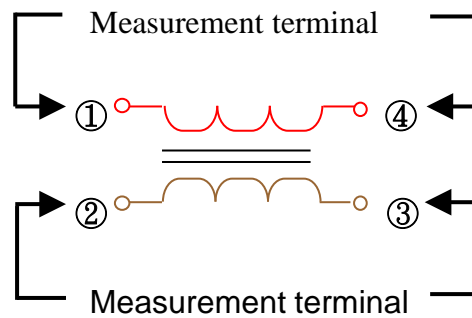
Measured by using Agilent 4291A RF Impedance Analyzer.



DC Resistance

Measurement terminal

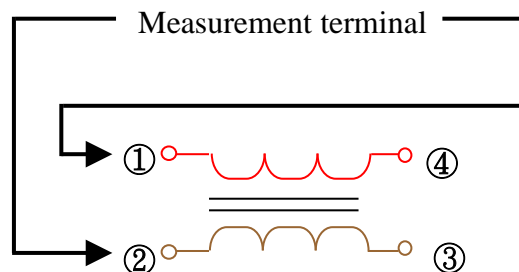
Measured by using Chroma 16502 mill ohm meter.



Insulation Resistance

Measured by using Chroma 19073

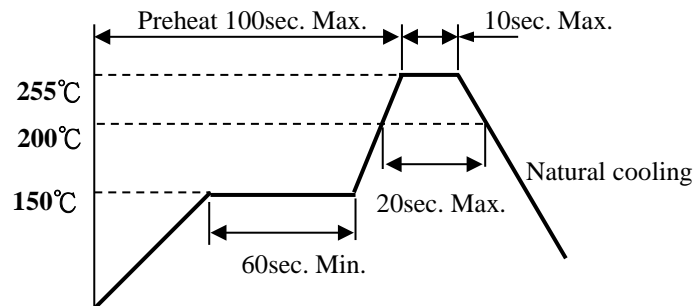
Measurement voltage : 50v ,Measurement time : 60 sec.



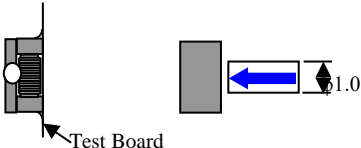
RELIABILITY

ITEM P/N	DB32A-SERIES-PF	TEST INSTRUMENT	4291B、4339B
PRODUCT	COMMON MODE CHOKE	TEST FREQUENCY	100 MHz / 0.5V

RECOMMENDED SOLDERING TEMP. GRAPH



MECHANICAL RELIABILITY

TEST	Specification & Requirement	Method Used
Solderability	The surface of terminal/pin tested shall be covered with new solder by 90%	Solder heat proof: Preheating: 150 ±10°C 60 seconds Soldering: 245 ±5°C for 4 ±1 sec
Solder Heat Resistance	Components should have not evidence of electrical and mechanical damage Impedance: within ±15% of initial value	Preheating: 150°C 60secs Solder temperature: 260 ±5°C Flux: rosin Dip time: 10 ±0.5 secs
Terminal strength	Series No.	F (Kg)
	1608	0.5
	2012	0.5
	3216	1.0
	4532	1.0
		Solder a chip to test substrate and then laterally apply a force in the arrow direction 

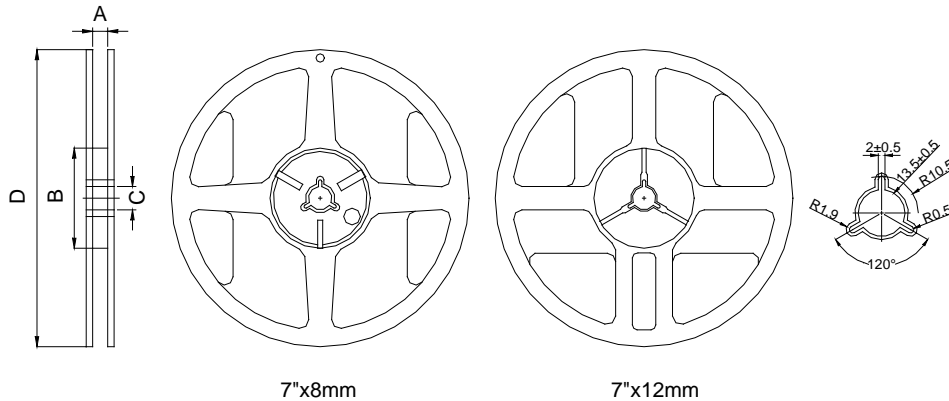
ENDURANCE RELIABILITY

TEST	Specification & Requirement	Method Used
Thermal Shock	Impedance change within ± 15% Without mechanical damage	-65°C, (30 mins) -> room temp. (2 mins) -> 125°C, (30 mins) -> room temp. (2 mins) 50 cycles
Humidity Resistance	Impedance change within ± 15% Without mechanical damage	Apply IDC current @ 60°C ambient Humidity: 90% Duration: 168 hrs
Low Temp. Storing	Impedance change within ± 15% Without mechanical damage	Storing Temp. -40 ±2 °C for total 168 +5/-0 hours
High Temp. Storing	Impedance change within ± 15% Without mechanical damage	Storing Temp. 125 ±2 °C for total 168 +5/-0 hours

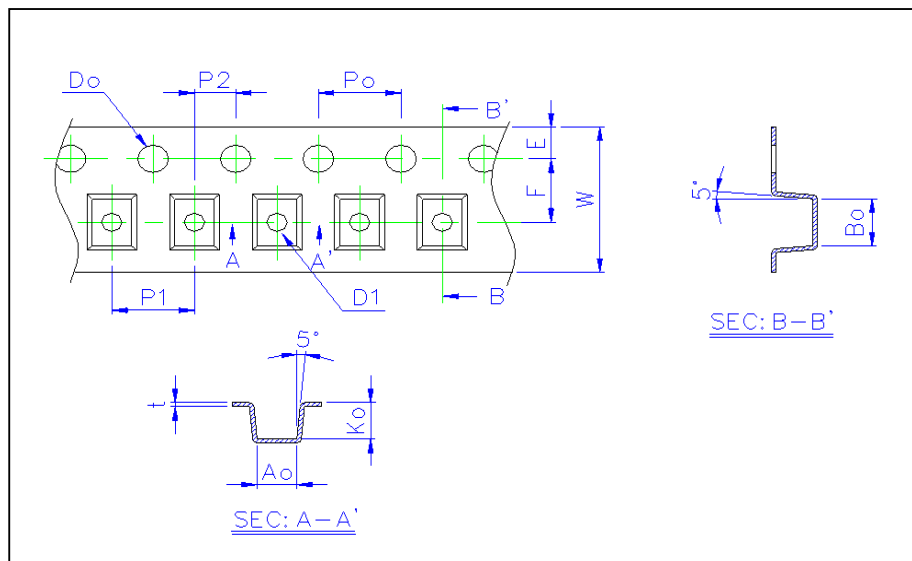
PACKING FOR SMD

ITEM P/N	DB32A-SERIES-PF	TEST INSTRUMENT	4291B、4339B
PRODUCT	COMMON MODE CHOKE	TEST FREQUENCY	100 MHz / 0.5V

Reel Dimension & Tape Dimension



Type	A(mm)	B(mm)	C(mm)	D(mm)
7"x8mm	9.0±0.5	60±2	13.5±0.5	178±2
7"x12mm	13.5±0.5	60±2	13.5±0.5	178±2



Size	Ao(mm)	Bo(mm)	Ko(mm)	W(mm)	E(mm)	F(mm)	Po(mm)	P1(mm)	Do(mm)
1608	1.00±0.10	1.65±0.10	1.18±0.10	8.00±0.20	1.75±0.10	3.50±0.05	4.0±0.05	4.0±0.10	none
21	1.50±0.10	2.35±0.10	1.45±0.10	8.00±0.20	1.75±0.10	3.50±0.05	4.0±0.05	4.0±0.10	1.0±0.1
31	1.88±0.10	3.50±0.10	2.10±0.10	8.00±0.20	1.75±0.10	3.50±0.05	4.0±0.05	4.0±0.10	1.0±0.1
32	2.80±0.10	3.60±0.10	2.20±0.10	8.00±0.20	1.75±0.10	3.50±0.05	4.0±0.05	4.0±0.10	1.0±0.1
43	3.45±0.10	4.90±0.10	3.05±0.10	12.00±0.20	1.75±0.10	5.50±0.05	4.0±0.05	8.0±0.10	1.5+0.1,-0

Packaging Quantity

Chip Size	1608	21	31	32	43
8mm/ Reel	2000	2000	2000	1000	500