



Radial Chokes-RC-Series

RC series For General Use

Features

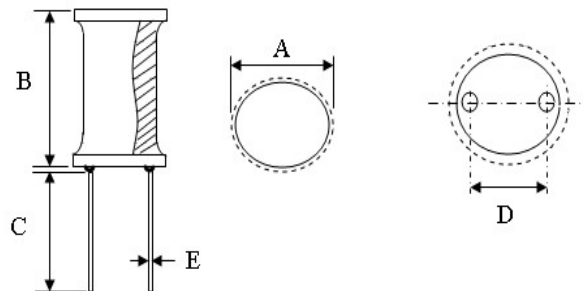
1. Small size radial lead type.
2. Small mounting space required
3. Low cost high reliability
4. Covered with PVC sleeve or UL tube
5. wide range of inductance

Applications

1. TVs and audio equipment.
2. Telecommunication devices.
3. Buzzers and Alarm systems.
4. Switching Power Supplies.
5. Systems requiring Band and High Q



Dimensions (mm)



Product Identification

RC 0608- 100MU - PF

RC: SERIES NAME

0608: DIMENSION SIZE CODE

100: INDUCTANCE CODE.

M: TOLERANCE, J=5% K=10% M=20%.

U: TUPE U: UL P: PVC

PF: Pb-Free

P/N	A (max)	B (max)	C	D (max)	E±0.05
RC0406	6.0	9.0	15±2.0	2.0±0.5	0.5
RC0507	7.0	9.0	15±2.0	2.5±0.5	0.6
RC0608	8.0	10.0	15±2.0	3.0±0.5	0.65
RC0810	10.0	12.0	15±2.0	5.0±0.5	0.65
RC0912	11.0	14.0	15±2.0	5.0±0.5	0.65
RC1012	12.0	15.0	15±2.0	6.0±0.5	0.8
RC1016	12.0	19.0	15±2.0	6.0±0.5	0.8
Continued	Customized				



Radial Chokes-RC-Series

Electrical Characteristics

Part Number	Inductance (μ H)	DCR(max) (Ω)	IDC(max) (mA)	TEST CONDITION (KHz/V)
RC0406-1R0□-PF	1.0	0.03	2500	1KHz/0.25V
RC0406-1R2□-PF	1.2	0.05	2200	1KHz/0.25V
RC0406-1R5□-PF	1.5	0.07	2200	1KHz/0.25V
RC0406-1R8□-PF	1.8	0.1	2200	1KHz/0.25V
RC0406-2R2□-PF	2.2	0.12	2000	1KHz/0.25V
RC0406-2R7□-PF	2.7	0.13	2000	1KHz/0.25V
RC0406-3R3□-PF	3.3	0.14	2000	1KHz/0.25V
RC0406-3R9□-PF	3.9	0.15	1800	1KHz/0.25V
RC0406-4R7□-PF	4.7	0.16	1800	1KHz/0.25V
RC0406-5R6□-PF	5.6	0.17	1800	1KHz/0.25V
RC0406-6R8□-PF	6.8	0.18	1700	1KHz/0.25V
RC0406-8R2□-PF	8.2	0.19	1700	1KHz/0.25V
RC0406-100□-PF	10	0.23	1500	1KHz/0.25V
RC0406-120□-PF	12	0.24	1500	1KHz/0.25V
RC0406-150□-PF	15	0.28	1300	1KHz/0.25V
RC0406-180□-PF	18	0.32	1200	1KHz/0.25V
RC0406-220□-PF	22	0.35	1200	1KHz/0.25V
RC0406-270□-PF	27	0.4	1000	1KHz/0.25V
RC0406-330□-PF	33	0.45	900	1KHz/0.25V
RC0406-390□-PF	39	0.5	800	1KHz/0.25V
RC0406-470□-PF	47	0.55	700	1KHz/0.25V
RC0406-560□-PF	56	0.7	650	1KHz/0.25V
RC0406-680□-PF	68	0.85	600	1KHz/0.25V
RC0406-820□-PF	82	1.2	550	1KHz/0.25V
RC0406-101□-PF	100	1.5	500	1KHz/0.25V
RC0406-121□-PF	120	1.9	450	1KHz/0.25V
RC0406-151□-PF	150	2.2	400	1KHz/0.25V
RC0406-181□-PF	180	2.6	350	1KHz/0.25V
RC0406-221□-PF	220	2.9	300	1KHz/0.25V
RC0406-271□-PF	270	3.2	250	1KHz/0.25V
RC0406-331□-PF	330	3.5	200	1KHz/0.25V
RC0406-391□-PF	390	3.8	150	1KHz/0.25V
RC0406-471□-PF	470	4	120	1KHz/0.25V
RC0406-561□-PF	560	4.5	120	1KHz/0.25V
RC0406-681□-PF	680	5	120	1KHz/0.25V
RC0406-821□-PF	820	5.5	100	1KHz/0.25V
RC0406-102□-PF	1000	8.5	100	1KHz/0.25V

Note:
 (1). All test data is referenced to 25°C ambient.
 (2). Operating Temperature Range-25°C to +105°C.
 (3). Inductance drop<10%.At Rated DC Current.
 (4). Special inquiries besides the above comon used types can be met on your requirement
 (5). □Tolerance of inductance±10%(K) ±20%(M) ±30%(N)



Radial Chokes-RC-Series

Electrical Characteristics

Part Number	Inductance (μ H)	DCR(max) (Ω)	IDC(max) (mA)	TEST CONDITION (KHz/V)
RC0507-1R0M-PF	1.0	0.014	3500	1KHz/0.25V
RC0507-1R5M-PF	1.5	0.02	3000	1KHz/0.25V
RC0507-2R2M-PF	2.2	0.02	2500	1KHz/0.25V
RC0507-3R3M-PF	3.3	0.03	2000	1KHz/0.25V
RC0507-4R7M-PF	4.7	0.04	1700	1KHz/0.25V
RC0507-6R8M-PF	6.8	0.06	1300	1KHz/0.25V
RC0507-100M-PF	10	0.08	1000	1KHz/0.25V
RC0507-120□-PF	12	0.1	950	1KHz/0.25V
RC0507-150□-PF	15	0.11	900	1KHz/0.25V
RC0507-180□-PF	18	0.11	800	1KHz/0.25V
RC0507-220□-PF	22	0.12	700	1KHz/0.25V
RC0507-270□-PF	27	0.14	600	1KHz/0.25V
RC0507-330□-PF	33	0.16	550	1KHz/0.25V
RC0507-390□-PF	39	0.18	500	1KHz/0.25V
RC0507-470□-PF	47	0.2	500	1KHz/0.25V
RC0507-560□-PF	56	0.22	450	1KHz/0.25V
RC0507-680□-PF	68	0.3	450	1KHz/0.25V
RC0507-820□-PF	82	0.34	400	1KHz/0.25V
RC0507-100□-PF	100	0.36	400	1KHz/0.25V
RC0507-101□-PF	120	0.44	350	1KHz/0.25V
RC0507-121□-PF	150	0.52	300	1KHz/0.25V
RC0507-151□-PF	180	0.65	300	1KHz/0.25V
RC0507-181□-PF	220	0.75	250	1KHz/0.25V
RC0507-221□-PF	270	0.1	240	1KHz/0.25V
RC0507-271□-PF	330	1.3	200	1KHz/0.25V
RC0507-331□-PF	390	1.4	180	1KHz/0.25V
RC0507-391□-PF	470	1.6	160	1KHz/0.25V
RC0507-471□-PF	560	2	160	1KHz/0.25V
RC0507-561□-PF	680	2.3	140	1KHz/0.25V
RC0507-681□-PF	820	2.7	130	1KHz/0.25V
RC0507-821□-PF	1000	3.1	120	1KHz/0.25V
RC0507-102□-PF	1200	4.6	110	1KHz/0.25V
RC0507-122□-PF	1500	5.3	100	1KHz/0.25V
RC0507-152□-PF	1800	6.2	90	1KHz/0.25V
RC0507-182□-PF	2200	6.8	80	1KHz/0.25V
RC0507-222□-PF	2700	10	60	1KHz/0.25V
RC0507-272□-PF	3300	12	60	1KHz/0.25V
RC0507-332□-PF	3900	13	55	1KHz/0.25V
RC0507-392□-PF	4700	15	55	1KHz/0.25V
RC0507-472□-PF	5600	22	50	1KHz/0.25V
RC0507-562□-PF	6800	25	45	1KHz/0.25V
RC0507-682□-PF	8200	28	45	1KHz/0.25V
RC0507-103□-PF	10000	35	35	1KHz/0.25V

Note:
 (1). All test data is referenced to 25°C ambient.
 (2). Operating Temperature Range-25°C to +105°C.
 (3). Inductance drop<10%.At Rated DC Current.
 (4). Special inquiries besides the above comon used types can be met on your requirement
 (5). □ Tolerance of inductance±10%(K) ±20%(M) ±30%(N)

Radial Chokes-RC-Series

Electrical Characteristics

Part Number	Inductance (μH)	DCR(max) (Ω)	IDC(max) (mA)	TEST CONDITION (KHz/V)
RC0608-100M-PF	10	0.05	2500	1KHz/0.25V
RC0608-120M-PF	12	0.06	2200	1KHz/0.25V
RC0608-150M-PF	15	0.06	2000	1KHz/0.25V
RC0608-180M-PF	18	0.07	1500	1KHz/0.25V
RC0608-220M-PF	22	0.08	1200	1KHz/0.25V
RC0608-270M-PF	27	0.10	1000	1KHz/0.25V
RC0608-330M-PF	33	0.13	900	1KHz/0.25V
RC0608-390M-PF	39	0.15	900	1KHz/0.25V
RC0608-470M-PF	47	0.20	850	1KHz/0.25V
RC0608-560M-PF	56	0.25	850	1KHz/0.25V
RC0608-680M-PF	68	0.30	800	1KHz/0.25V
RC0608-820M-PF	82	0.39	750	1KHz/0.25V
RC0608-101□-PF	100	0.44	700	1KHz/0.25V
RC0608-121□-PF	120	0.64	650	1KHz/0.25V
RC0608-151□-PF	150	0.73	600	1KHz/0.25V
RC0608-181□-PF	180	0.82	550	1KHz/0.25V
RC0608-221□-PF	220	0.92	450	1KHz/0.25V
RC0608-271□-PF	270	1.30	420	1KHz/0.25V
RC0608-331□-PF	330	1.50	400	1KHz/0.25V
RC0608-391□-PF	390	1.80	370	1KHz/0.25V
RC0608-471□-PF	470	2.30	340	1KHz/0.25V
RC0608-561□-PF	560	3.00	280	1KHz/0.25V
RC0608-681□-PF	680	3.25	250	1KHz/0.25V
RC0608-821□-PF	820	4.16	230	1KHz/0.25V
RC0608-102□-PF	1000	4.55	210	1KHz/0.25V
RC0608-122□-PF	1200	5.2	200	1KHz/0.25V
RC0608-152□-PF	1500	7.54	180	1KHz/0.25V
RC0608-182□-PF	1800	7.54	160	1KHz/0.25V
RC0608-222□-PF	2200	8.32	150	1KHz/0.25V
RC0608-272□-PF	2700	9.62	130	1KHz/0.25V
RC0608-332□-PF	3300	10.92	130	1KHz/0.25V
RC0608-392□-PF	3900	16.12	100	1KHz/0.25V
RC0608-472□-PF	4700	17.81	85	1KHz/0.25V
RC0608-562□-PF	5600	20	70	1KHz/0.25V
RC0608-682□-PF	6800	27.3	65	1KHz/0.25V
RC0608-822□-PF	8200	31.2	60	1KHz/0.25V
RC0608-103□-PF	10000	39.0	58	1KHz/0.25V

Note:
 (1). All test data is referenced to 25°C ambient.
 (2). Operating Temperature Range-25°C to +105°C .
 (3). Inductance drop<10%.At Rated DC Current.
 (4). Special inquiries besides the above comon used types can be met on your requirement
 (5). □Tolerance of inductance±10%(K) ±20%(M) ±30%(N)



Radial Chokes-RC-Series

Electrical Characteristics

Part Number	Inductance (μ H)	DCR(max) (Ω)	IDC(max) (mA)	TEST CONDITION (KHz/V)
RC0810-3R3M-PF	3.3	0.02	5000	1KHz/0.25V
RC0810-4R7M-PF	4.7	0.02	4500	1KHz/0.25V
RC0810-8R2M-PF	8.2	0.025	4000	1KHz/0.25V
RC0810-100□-PF	10	0.03	4000	1KHz/0.25V
RC0810-120□-PF	12	0.04	3500	1KHz/0.25V
RC0810-150□-PF	15	0.05	3200	1KHz/0.25V
RC0810-180□-PF	18	0.06	3000	1KHz/0.25V
RC0810-220□-PF	22	0.07	2500	1KHz/0.25V
RC0810-270□-PF	27	0.08	2200	1KHz/0.25V
RC0810-330□-PF	33	0.09	2000	1KHz/0.25V
RC0810-390□-PF	39	0.10	1800	1KHz/0.25V
RC0810-470□-PF	47	0.11	1500	1KHz/0.25V
RC0810-560□-PF	56	0.12	1300	1KHz/0.25V
RC0810-680□-PF	68	0.13	1200	1KHz/0.25V
RC0810-820□-PF	82	0.14	1100	1KHz/0.25V
RC0810-101□-PF	100	0.15	1000	1KHz/0.25V
RC0810-121□-PF	120	0.2	950	1KHz/0.25V
RC0810-151□-PF	150	0.35	900	1KHz/0.25V
RC0810-181□-PF	180	0.50	800	1KHz/0.25V
RC0810-221□-PF	220	0.60	600	1KHz/0.25V
RC0810-271□-PF	270	0.80	550	1KHz/0.25V
RC0810-331□-PF	330	0.85	500	1KHz/0.25V
RC0810-391□-PF	390	0.9	450	1KHz/0.25V
RC0810-471□-PF	470	1.0	400	1KHz/0.25V
RC0810-561□-PF	560	1.2	300	1KHz/0.25V
RC0810-681□-PF	680	1.5	250	1KHz/0.25V
RC0810-821□-PF	820	1.7	200	1KHz/0.25V
RC0810-102□-PF	1000	2.0	180	1KHz/0.25V
RC0810-122□-PF	1200	2.3	160	1KHz/0.25V
RC0810-152□-PF	1500	2.9	150	1KHz/0.25V
RC0810-182□-PF	1800	3.5	130	1KHz/0.25V
RC0810-222□-PF	2200	4.2	120	1KHz/0.25V
RC0810-272□-PF	2700	5.1	110	1KHz/0.25V
RC0810-332□-PF	3300	6.1	100	1KHz/0.25V
RC0810-392□-PF	3900	7.8	90	1KHz/0.25V
RC0810-472□-PF	4700	11.0	85	1KHz/0.25V
RC0810-562□-PF	5600	11.0	80	1KHz/0.25V
RC0810-682□-PF	6800	14.0	75	1KHz/0.25V
RC0810-822□-PF	8200	15.0	70	1KHz/0.25V
RC0810-103□-PF	10000	20.0	65	1KHz/0.25V

Note:
 (1). All test data is referenced to 25°C ambient.
 (2). Operating Temperature Range -25°C to +105°C.
 (3). Inductance drop < 10%. At Rated DC Current.
 (4). Special inquiries besides the above common used types can be met on your requirement
 (5). □ Tolerance of inductance $\pm 10\%$ (K) $\pm 20\%$ (M) $\pm 30\%$ (N)



Radial Cho□-PFes-RC-Series

Electrical Characteristics

Part Number	Inductance (μ H)	DCR(max) (Ω)	IDC(max) (mA)	TEST CONDITION (KHz/V)
RC0912-100□-PF	10	0.02	4500	1KHz/0.25V
RC0912-120□-PF	12	0.02	4000	1KHz/0.25V
RC0912-150□-PF	15	0.03	3500	1KHz/0.25V
RC0912-180□-PF	18	0.03	3000	1KHz/0.25V
RC0912-220□-PF	22	0.05	2500	1KHz/0.25V
RC0912-270□-PF	27	0.06	2500	1KHz/0.25V
RC0912-330□-PF	33	0.07	2200	1KHz/0.25V
RC0912-390□-PF	39	0.08	2200	1KHz/0.25V
RC0912-470□-PF	47	0.09	2000	1KHz/0.25V
RC0912-560□-PF	56	0.1	2000	1KHz/0.25V
RC0912-680□-PF	68	0.11	1800	1KHz/0.25V
RC0912-820□-PF	82	0.12	1500	1KHz/0.25V
RC0912-101□-PF	100	0.13	1200	1KHz/0.25V
RC0912-121□-PF	120	0.15	1000	1KHz/0.25V
RC0912-151□-PF	150	0.2	900	1KHz/0.25V
RC0912-181□-PF	180	0.3	850	1KHz/0.25V
RC0912-221□-PF	220	0.45	800	1KHz/0.25V
RC0912-271□-PF	270	0.6	600	1KHz/0.25V
RC0912-331□-PF	330	0.7	500	1KHz/0.25V
RC0912-391□-PF	390	0.8	450	1KHz/0.25V
RC0912-471□-PF	470	0.9	400	1KHz/0.25V
RC0912-561□-PF	560	1	350	1KHz/0.25V
RC0912-681□-PF	680	1.1	300	1KHz/0.25V
RC0912-821□-PF	820	1.2	250	1KHz/0.25V
RC0912-102□-PF	1000	1.5	200	1KHz/0.25V
RC0912-122□-PF	1200	2.0	180	1KHz/0.25V
RC0912-152□-PF	1500	2.5	150	1KHz/0.25V
RC0912-182□-PF	1800	3.0	120	1KHz/0.25V
RC0912-222□-PF	2200	3.2	110	1KHz/0.25V
RC0912-272□-PF	2700	3.5	100	1KHz/0.25V
RC0912-332□-PF	3300	4.0	95	1KHz/0.25V
RC0912-392□-PF	3900	4.5	90	1KHz/0.25V
RC0912-472□-PF	4700	5.0	90	1KHz/0.25V
RC0912-562□-PF	5600	5.5	85	1KHz/0.25V
RC0912-682□-PF	6800	6.0	85	1KHz/0.25V
RC0912-822□-PF	8200	7.0	80	1KHz/0.25V
RC0912-103□-PF	10000	8.0	80	1KHz/0.25V
RC0912-123□-PF	12000	12.0	75	1KHz/0.25V
RC0912-153□-PF	15000	15.0	75	1KHz/0.25V
RC0912-183□-PF	18000	20.0	70	1KHz/0.25V
RC0912-223□-PF	22000	30.0	70	1KHz/0.25V
RC0912-273□-PF	27000	35.0	65	1KHz/0.25V
RC0912-333□-PF	33000	40.0	60	1KHz/0.25V
RC0912-393□-PF	39000	45.0	55	1KHz/0.25V
RC0912-473□-PF	47000	52.0	50	1KHz/0.25V

Note:
 (1). All test data is referenced to 25°C ambient.
 (2). Operating Temperature Range-25°C to +105°C .
 (3). Inductance drop<10%.At Rated DC Current.
 (4). Special inquiries besides the above comon used types can be met on your requirement
 (5). □Tolerance of inductance±10%(K) ±20%(M) ±30%(N)



Radial Chokes-RC-Series

Electrical Characteristics

Part Number	Inductance (μ H)	DCR(max) (Ω)	IDC(max) (mA)	TEST CONDITION (KHz/V)
RC1012-3R3□-PF	3.3	0.015	8000	1KHz/0.25V
RC1012-4R7□-PF	4.7	0.020	7500	1KHz/0.25V
RC1012-5R6□-PF	5.6	0.025	7000	1KHz/0.25V
RC1012-6R8□-PF	6.8	0.025	7000	1KHz/0.25V
RC1012-8R2□-PF	8.2	0.030	6500	1KHz/0.25V
RC1012-100□-PF	10.0	0.035	6500	1KHz/0.25V
RC1012-120□-PF	12.0	0.040	6000	1KHz/0.25V
RC1012-150□-PF	15.0	0.045	6000	1KHz/0.25V
RC1012-180□-PF	18.0	0.05	5500	1KHz/0.25V
RC1012-220□-PF	22.0	0.06	5000	1KHz/0.25V
RC1012-270□-PF	27.0	0.07	5000	1KHz/0.25V
RC1012-330□-PF	33.0	0.08	4500	1KHz/0.25V
RC1012-390□-PF	39.0	0.09	4500	1KHz/0.25V
RC1012-470□-PF	47.0	0.10	4000	1KHz/0.25V
RC1012-560□-PF	56.0	0.12	4000	1KHz/0.25V
RC1012-680□-PF	68.0	0.15	3000	1KHz/0.25V
RC1012-820□-PF	82.0	0.20	3000	1KHz/0.25V
RC1012-101□-PF	100.0	0.25	3000	1KHz/0.25V
RC1012-121□-PF	120.0	0.30	2500	1KHz/0.25V
RC1012-151□-PF	150.0	0.35	2500	1KHz/0.25V
RC1012-181□-PF	180.0	0.40	2000	1KHz/0.25V
RC1012-221□-PF	220.0	0.50	2000	1KHz/0.25V
RC1012-271□-PF	270.0	0.60	1800	1KHz/0.25V
RC1012-331□-PF	330.0	0.70	1500	1KHz/0.25V
RC1012-371□-PF	390.0	0.80	1200	1KHz/0.25V
RC1012-471□-PF	470.0	1.00	1000	1KHz/0.25V
RC1012-561□-PF	560.0	1.20	900	1KHz/0.25V
RC1012-681□-PF	680.0	1.50	800	1KHz/0.25V
RC1012-821□-PF	820.0	1.60	700	1KHz/0.25V
RC1012-102□-PF	1000.0	1.90	600	1KHz/0.25V

Note:

- (1). All test data is referenced to 25°C ambient.
- (2). Operating Temperature Range-25°C to +105°C.
- (3). Inductance drop<10%.At Rated DC Current.
- (4). Special inquiries besides the above comon used types can be met on your requirement
- (5). □Tolerance of inductance±10%(K) ±20%(M) ±30%(N)



Radial Chokes-RC-Series

Electrical Characteristics

Part Number	Inductance (μ H)	DCR(max) (Ω)	IDC(max) (A)	TEST CONDITION (KHz/V)
RC1016-4R7□-PF	4.70	0.020	10.00	1KHz/0.25V
RC1016-6R8□-PF	6.80	0.022	10.00	1KHz/0.25V
RC1016-8R2□-PF	8.20	0.025	9.00	1KHz/0.25V
RC1016-100□-PF	10.00	0.027	8.00	1KHz/0.25V
RC1016-120□-PF	12.00	0.030	7.50	1KHz/0.25V
RC1016-150□-PF	15.00	0.032	6.50	1KHz/0.25V
RC1016-180□-PF	18.00	0.035	6.00	1KHz/0.25V
RC1016-220□-PF	22.00	0.040	5.50	1KHz/0.25V
RC1016-330□-PF	33.00	0.050	4.50	1KHz/0.25V
RC1016-470□-PF	47.00	0.055	4.00	1KHz/0.25V
RC1016-560□-PF	56.00	0.070	3.50	1KHz/0.25V
RC1016-680□-PF	68.00	0.080	3.00	1KHz/0.25V
RC1016-101□-PF	100.00	0.100	2.50	1KHz/0.25V
RC1016-121□-PF	120.00	0.130	2.00	1KHz/0.25V
RC1016-151□-PF	150.00	0.180	1.80	1KHz/0.25V
RC1016-181□-PF	180.00	0.200	1.60	1KHz/0.25V
RC1016-221□-PF	220.00	0.310	1.40	1KHz/0.25V
RC1016-271□-PF	270.00	0.320	1.30	1KHz/0.25V
RC1016-331□-PF	330.00	0.390	1.20	1KHz/0.25V
RC1016-391□-PF	390.00	0.450	1.10	1KHz/0.25V
RC1016-471□-PF	470.00	0.500	1.00	1KHz/0.25V
RC1016-561□-PF	560.00	0.550	1.00	1KHz/0.25V
RC1016-681□-PF	680.00	0.900	0.90	1KHz/0.25V
RC1016-821□-PF	820.00	1.000	0.90	1KHz/0.25V
RC1016-102□-PF	1000.00	1.100	0.65	1KHz/0.25V
RC1016-152□-PF	1500.00	1.300	0.52	1KHz/0.25V
RC1016-182□-PF	1800.00	1.900	0.50	1KHz/0.25V
RC1016-222□-PF	2200.00	2.000	0.45	1KHz/0.25V
RC1016-332□-PF	3300.00	4.600	0.35	1KHz/0.25V
RC1016-472□-PF	4700.00	5.600	0.30	1KHz/0.25V
RC1016-682□-PF	6800.00	7.000	0.25	1KHz/0.25V
RC1016-822□-PF	8200.00	10.400	0.23	1KHz/0.25V
RC1016-103□-PF	10000.00	11.700	0.18	1KHz/0.25V

Note:

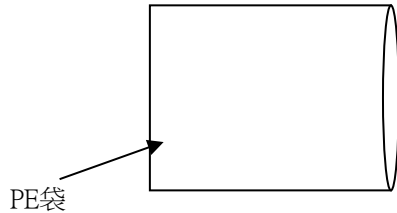
- (1). All test data is referenced to 25°C ambient.
- (2). Operating Temperature Range-25°C to +105°C.
- (3). Inductance drop<10%.At Rated DC Current.
- (4). Special inquiries besides the above comon used types can be met on your requirement
- (5). □Tolerance of inductance±10%(K) ±20%(M) ±30%(N)



Radial Chokes-RC-Series

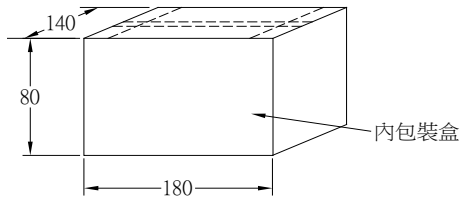
PACKAGING

1



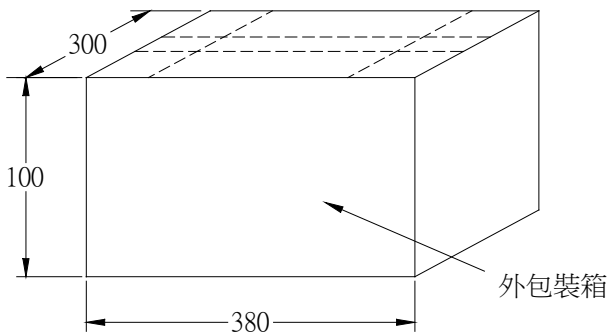
PE袋 150*200*0.08mm

2



內包裝盒 180*140*80mm

3



外箱 380*300*100mm

DIMENSIONS AND PACKAGING QUANTITIES

SERIES	PACKAGING QUANTITY		
	1. PE袋	2. 內盒	3. 外箱
RC0406	200pcs	2000pcs	8000pcs
RC0507	200pcs	2000pcs	8000pcs
RC0608	200pcs	2000pcs	8000pcs
RC0810	100pcs	1000pcs	4000pcs
RC0912	50pcs	500pcs	2000pcs
RC1012	50pcs	500pcs	2000pcs
RC1016	50pcs	500pcs	2000pcs