



SMD Power Inductors-SNR Series

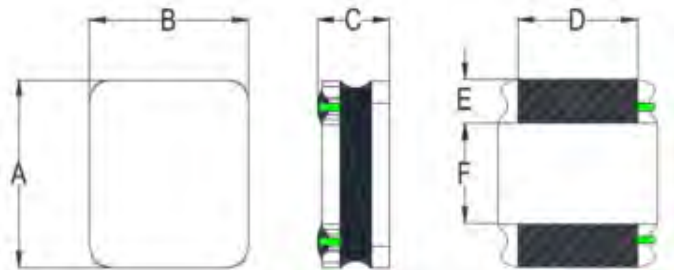
Features

- Small and low profile inductor
- It corresponds to high current
- Simple and original magnetic shield structure
- Structure strong against a shock-proof

Applications

- Small DC/DC converter (cellular phone,HDD.
- DVC,DSC,PDA, LCD Display Etc)

Dimensions (mm)



Product Identification

SNR 252012 D- 2R2 □ SRD

SNR: SERIES NAME

252012: DIMENSION Size Code

D: SHAPE L: 12边型 H: 8边型 D:4边型

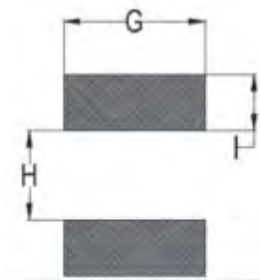
2R2: INDUCTANCE CODE.

□: TOLERANCE M=±20%. N=±30%.

SRD: Identification code

SERIES	A	B	C	D	E	F
SNR252012	2.5±0.2	2.0±0.2	1.2±0.2	1.5±0.2	0.8±0.2	0.8±0.2
SNR252010	2.5±0.2	2.0±0.2	1.05MAX	1.5±0.2	0.8±0.2	0.8±0.2
SNR201610	2.0±0.2	1.6±0.2	1.05MAX	1.2±0.2	0.6±0.2	0.8±0.2

RECOMMENDER P.C.B LAYOUT



SERIES	G	H	I
SNR252012	2.0REF	0.8REF	0.85REF
SNR252010	2.0REF	0.80REF	0.85REF
SNR201610	1.60REF	0.70REF	0.70REF



昕磊科技
SUNLEI T.C.

追求卓越、不斷創新、創造雙贏

www.sunlei.com.tw

SMD Power Inductors-SNR Series

Features

- Small and low profile inductor
- It corresponds to high current
- Simple and original magnetic shield structure
- Structure strong against a shock-proof

Applications

- Small DC/DC converter (cellular phone,HDD.
- DVC,DSC,PDA, LCD Display Etc)

Product Identification

SNR 3010 H- 1R0 □ SRD

SNR: SERIES NAME

3010: DIMENSION Size Code

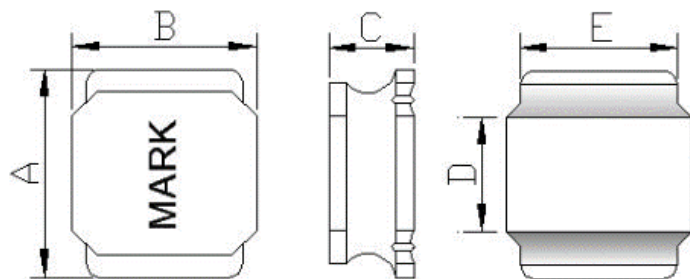
H: SHAPE L: 12边型 H: 8边型 D:4边型

1R0: INDUCTANCE CODE.

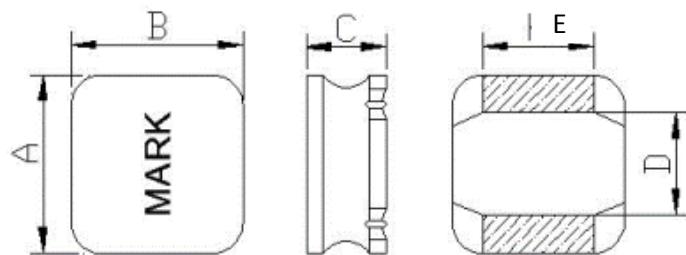
□: TOLERANCE M=±20%. N=±30%.

SRD: Identification code

Dimensions (mm)

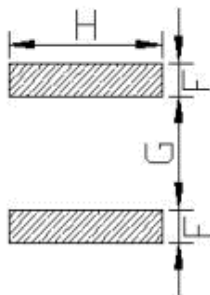


SERIES	A	B	C	D	E
SNR3010	3.00±0.2	3.00±0.2	1.0MAX	1.1REF	2.5TYP
SNR4010	4.00±0.2	4.00±0.2	1.1MAX	2.1REF	3.3REF
SNR4012	4.00±0.2	4.00±0.2	1.2MAX	1.8REF	3.3REF
SNR5012	5.00±0.2	5.00±0.2	1.2MAX	2.5±0.3	4.0REF



SERIES	A	B	C	D	E
SNR1050	10.0±0.3	10.0±0.3	5.0Max	6.4REF	6.2REF

RECOMMENDER P.C.B LAYOUT



SERIES	F	G	H
SNR3010	1.0TYP	1.1REF	2.7TYP
SNR4010	0.95TYP	2.1REF	3.3TYP
SNR4012	1.3REF	1.8REF	3.7REF
SNR5012	1.3REF	2.3REF	4.7REF
SNR1050	2.0REF	4.2REF	5.5REF



地址:23544新北市中和區中山路三段110號9樓之8 電話: +886-2-82287672 傳真: +886-2-82287673 E-MAIL: sale-d@sunlei.com.tw



SMD Power Inductors-SNR Series

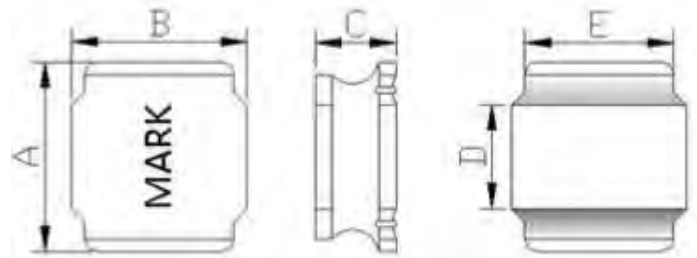
Features

- Small and low profile inductor
- It corresponds to high current
- Simple and original magnetic shield structure
- Structure strong against a shock-proof

Applications

- Small DC/DC converter (cellular phone,HDD.
- DVC,DSC,PDA, LCD Display Etc)

Dimensions (mm)



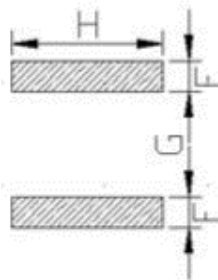
Product Identification

SNR 3012 L- 1R0 □ SRD

- SNR: SERIES NAME
- 3010: DIMENSION Size Code
- L: SHAPE L: 12边型 H: 8边型 D:4边型
- 1R0: INDUCTANCE CODE.
- : TOLERANCE M=±20%. N=±30%.
- SRD: Identification code

SERIES	A	B	C	D	E
SNR3012	3.00±0.2	3.00±0.2	1.2MAX	1.5REF	2.5REF
SNR3015	3.00±0.2	3.00±0.2	1.5MAX	1.50±0.2	2.5REF
SNR4018	4.00±0.2	4.00±0.2	1.8MAX	1.60±0.3	3.2REF
SNR4020	4.00±0.2	4.00±0.2	2.0MAX	1.70±0.3	3.2REF
SNR4030	4.00±0.2	4.00±0.2	3.0MAX	1.80±0.3	3.2REF
SNR5020	5.00±0.2	5.00±0.2	2.0MAX	2.50±0.3	4.0REF
SNR5030	5.00±0.2	5.00±0.2	3.0MAX	2.50±0.3	4.0REF
SNR5040	5.00±0.2	5.00±0.2	4.0MAX	2.20±0.3	4.0REF
SNR6020	6.00±0.3	6.00±0.3	2.0MAX	2.70±0.2	4.9REF
SNR6028	6.00±0.3	6.00±0.3	2.8MAX	2.50±0.3	4.9REF
SNR6045	6.00±0.3	6.00±0.3	4.5MAX	2.90±0.3	4.9REF
SNR8040	8.00±0.3	8.00±0.3	4.2MAX	3.50±0.3	6.3REF
SNR8060	8.00±0.3	8.00±0.3	6.0MAX	5.60REF	6.3REF

RECOMMENDER P.C.B LAYOUT



SERIES	F	G	H
SNR3012	0.8REF	1.5REF	2.7REF
SNR3015	0.8REF	1.5REF	2.7REF
SNR4018	1.4REF	1.4REF	3.7REF
SNR4020	1.3REF	1.6REF	3.7REF
SNR4030	1.3REF	1.6REF	3.7REF
SNR5020	1.3REF	2.3REF	4.7REF
SNR5030	1.5REF	2.3REF	4.7REF
SNR5040	1.6REF	2.0REF	4.7REF
SNR6020	2.0REF	2.4REF	5.7REF
SNR6028	2.0REF	2.4REF	5.7REF
SNR6045	1.7REF	2.8REF	5.7REF
SNR8040	2.5REF	3.4REF	7.5REF
SNR8060	2.5REF	3.4REF	7.5REF



昕磊科技
SUNLEI T.C.

追求卓越、不斷創新、創造雙贏

www.sunlei.com.tw

SMD Power Inductors-SNR252012 Series

Electrical Characteristics

Part Number	Inductance	DC Resistance	Isat	Irms
	(uH)	(mΩ) ±25%	A	A
SNR252012D-R33N-SRD	0.33	40.0	3.90	2.35
SNR252012D-R68N-SRD	0.68	63.0	2.70	1.73
SNR252012D-1R0N-SRD	1.0	85.0	2.68	1.58
SNR252012D-1R5N-SRD	1.5	113.0	2.24	1.40
SNR252012D-2R2M-SRD	2.2	165.0	1.85	1.15
SNR252012D-3R3M-SRD	3.3	200.0	1.61	1.04
SNR252012D-4R7M-SRD	4.7	315.0	1.18	0.84
SNR252012D-5R6M-SRD	5.6	330.0	1.10	0.73
SNR252012D-6R8M-SRD	6.8	447.0	0.98	0.69
SNR252012D-8R2M-SRD	8.2	506.0	0.95	0.65
SNR252012D-100M-SRD	10.0	575.0	0.88	0.62
SNR252012D-150M-SRD	15.0	900.0	0.62	0.40

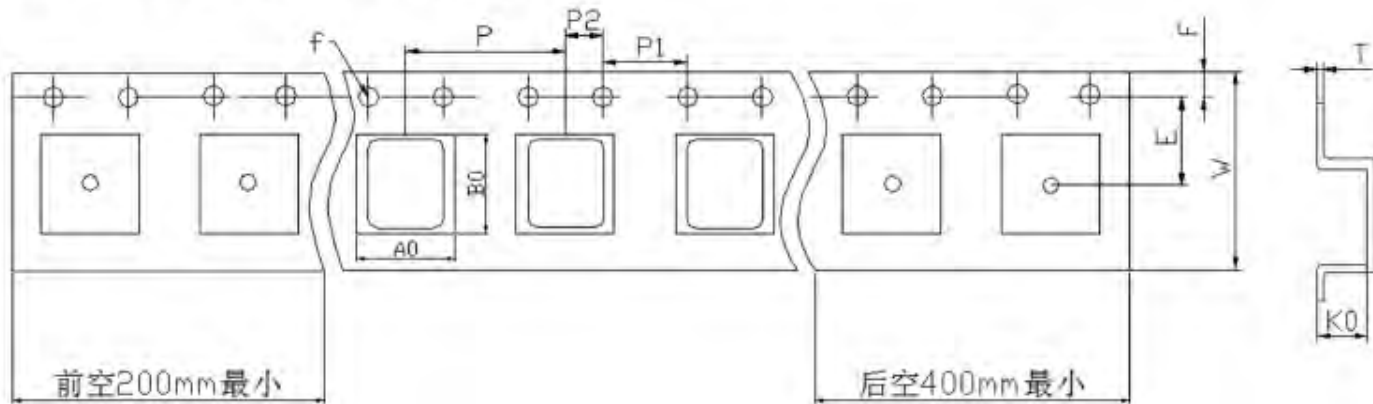
● Test Frequency: 1MHz/0.25V

Note

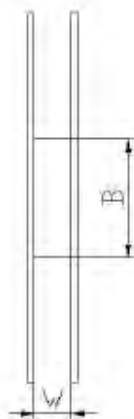
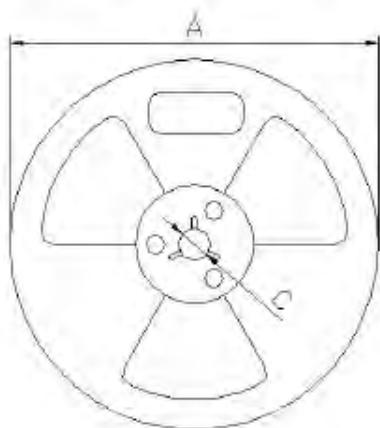
- 公差Tolerance: N:±30%、M:±20%、K:±10%.
- 工作溫度Operating temperature rang: -40 °C to +125°C (Including Self-heating)
- 儲存溫度Storage temperature rang: -40 °C to +125°C
- 額定電流: 指使電感量比初始值下降30%Max或電感器表面溫度上升 $\Delta T \leq 40^\circ\text{C}$ 的電流值 (參考周圍環境溫度 25°C)。The rated DC current is that which cause at 30%Max inductance reduction from the initial value or inductor surface temperature to rise by $\Delta T \leq 40^\circ\text{C}$, whichever is smaller (Reference ambient temperature 25°C)。



地址: 23544 新北市中和區中山路三段110號9樓之8 電話: +886-2-82287672 傳真: +886-2-82287673 E-MAIL: sale-d@sunlei.com.tw


SMD Power Inductors-SNR252012 Series
PACKAGING
載帶包裝示意图 Tape packing diagram


ITEM	W	A0	B0	K0	P	E	F	D0	P0	P2	T
DIM	8.00	2.35	2.65	1.40	4.00	3.50	1.75	1.50	4.00	2.00	0.25
TOLE	±0.3	±0.1	±0.1	±0.1	±0.1	±0.1	±0.1	+0.1	±0.1	±0.1	±0.05

卷盘包裝示意图 Tape packing diagram


A	180±0.5
B	100±0.5
C	13.5±0.5
W	8.5±0.5

包裝數量 Packing quantity

項目 (Project)	數量 (PCS)	尺寸規格 (Size:mm)
盤(Reel)	2000	7"
內盒 (Inner box)	20K	185mm*185mm*120mm
外箱 (Out box)	120K	395mm*385mm*205mm



SMD Power Inductors-SNR252010 Series

Electrical Characteristics

Part Number	Inductance	DC Resistance	Isat	Irms
	(uH)	(mΩ) MAX	A	A
SNR252010D-R24N-SRD	0.24	34.0	3.60	2.75
SNR252010D-R33N-SRD	0.33	43.0	3.60	2.45
SNR252010D-R47N-SRD	0.47	44.0	2.80	2.40
SNR252010D-R68N-SRD	0.68	62.0	2.75	2.10
SNR252010D-1R0M-SRD	1.00	80.0	2.05	1.85
SNR252010D-1R5M-SRD	1.50	108.0	1.70	1.55
SNR252010D-2R2M-SRD	2.20	150.0	1.50	1.35
SNR252010D-3R3M-SRD	3.30	228.0	1.10	1.05
SNR252010D-4R7M-SRD	4.70	330.0	1.00	0.90
SNR252010D-5R6M-SRD	5.60	450.0	0.90	0.80
SNR252010D-6R8M-SRD	6.80	480.0	0.80	0.72
SNR252010D-8R2M-SRD	8.20	572.0	0.73	0.69
SNR252010D-100M-SRD	10.00	600.0	0.65	0.63
SNR252010D-120M-SRD	12.00	850.0	0.58	0.57
SNR252010D-150M-SRD	15.00	1050.0	0.50	0.45

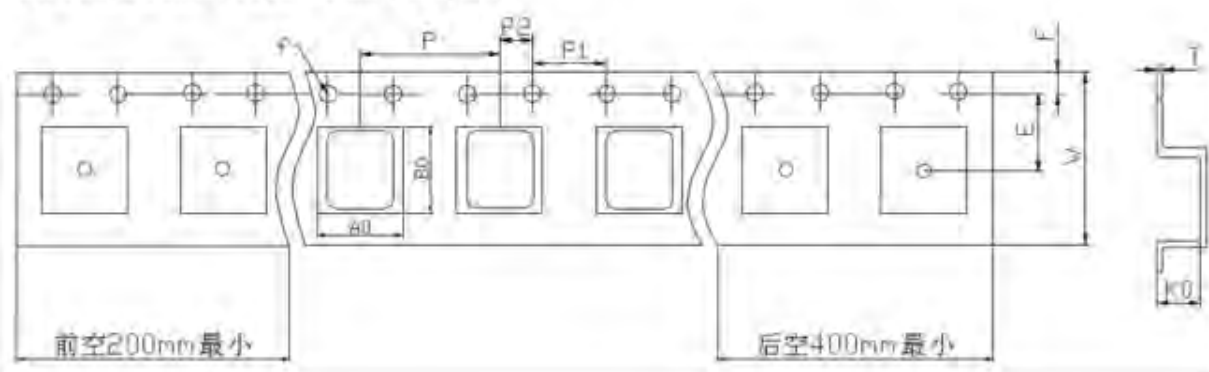
● Test Frequency: 100KHz/0.25V

Note

- 公差Tolerance: N:±30%、M:±20%、K:±10%.
- 工作溫度Operating temperature rang: -40 °C to +125°C (Including Self-heating)
- 儲存溫度Storage temperature rang: -40 °C to +125°C
- 額定電流: 指使電感量比初始值下降30%Max或電感器表面溫度上升 $\Delta T \leq 40^\circ\text{C}$ 的電流值 (參考周圍環境溫度 25°C)。The rated DC current is that which cause at 30%Max inductance reduction from the initial value or inductor surface temperature to rise by $\Delta T \leq 40^\circ\text{C}$, whichever is smaller (Reference ambient temperature 25°C)。

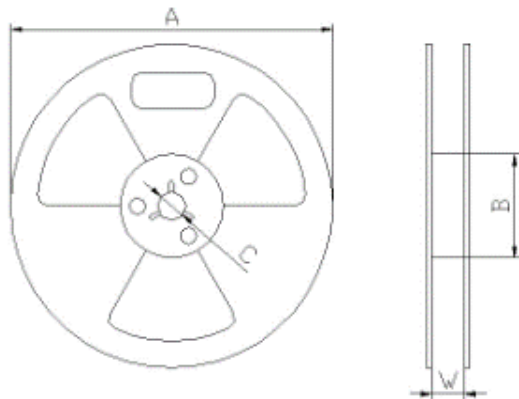

SMD Power Inductors-SNR252010 Series
PACKAGING

載帶包裝示意图 Tape packing diagram



ITEM	W	A0	B0	K0	P	E	F	D0	P0	P2	T
DIM	8.00	2.35	2.65	1.20	4.00	3.50	1.75	1.50	4.00	2.00	0.25
TOLE	±0.3	±0.1	±0.1	±0.1	±0.1	±0.1	±0.1	±0.1	±0.1	±0.1	±0.05

卷盤包裝示意图 Tape packing diagram



A	180±0.5
B	100±0.5
C	13.5±0.5
W	8.5±0.5

包裝數量 Packing quantity

項目 (Project)	數量 (PCS)	尺寸規格 (Size:mm)
盤(Reel)	2000	7"
內盒 (Inner box)	20K	185mm*185mm*120mm
外箱 (Out box)	120K	395mm*385mm*205mm



SMD Power Inductors-SNR201610 Series

Electrical Characteristics

Part Number	Inductance	DC Resistance	Isat	Irms
	(uH)	(mΩ) MAX	A	A
SNR201610D-R24N-SRD	0.24	40.0	3.70	2.80
SNR201610D-R33N-SRD	0.33	48.0	3.00	2.40
SNR201610D-R47N-SRD	0.5	60.0	2.30	2.30
SNR201610D-R68N-SRD	0.68	76.0	1.95	1.95
SNR201610D-1R0M-SRD	1.00	114.0	1.65	1.45
SNR201610D-1R5M-SRD	1.50	174.0	1.35	1.10
SNR201610D-2R2M-SRD	2.20	265.0	1.20	1.05
SNR201610D-3R3M-SRD	3.30	345.0	1.00	0.85
SNR201610D-4R7M-SRD	4.70	480.0	0.75	0.70
SNR201610D-6R8M-SRD	6.80	800.0	0.70	0.55
SNR201610D-8R2M-SRD	8.20	940.0	0.68	0.53
SNR201610D-100M-SRD	10.00	1000.0	0.65	0.50
SNR201610D-120M-SRD	12.00	1430.0	0.62	0.36
SNR201610D-150M-SRD	15.00	1700.0	0.50	0.30
SNR201610D-220M-SRD	22.00	1820.0	0.32	0.28

● Test Frequency: 100KHz/0.25V

Note

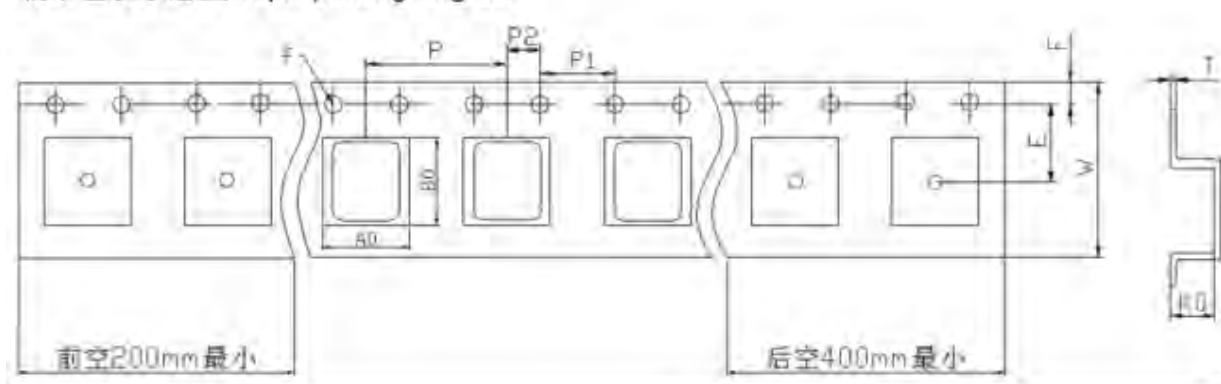
- 公差Tolerance: N:±30%、M:±20%、K:±10%.
- 工作溫度Operating temperature rang: -40 °C to +125°C (Including Self-heating)
- 儲存溫度Storage temperature rang: -40 °C to +125°C
- 額定電流: 指使電感量比初始值下降30%Max或電感器表面溫度上升 $\Delta T \leq 40^\circ\text{C}$ 的電流值 (參考周圍環境溫度 25°C)。The rated DC current is that which cause at 30%Max inductance reduction from the initial value or inductor surface temperature to rise by $\Delta T \leq 40^\circ\text{C}$, whichever is smaller (Reference ambient temperature 25°C)。



SMD Power Inductors-SNR201610 Series

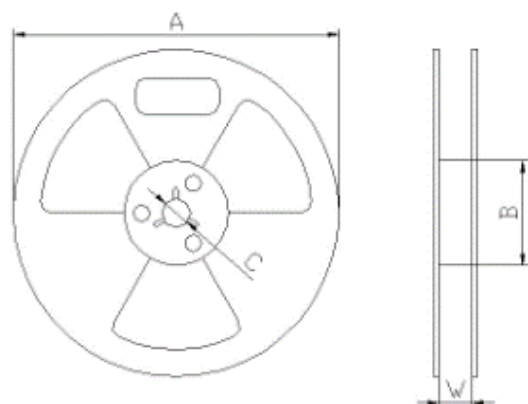
PACKAGING

載帶包裝示意图 Tape packing diagram



ITEM	W	A0	B0	K0	P	E	F	D0	P0	P2	T
DIM	8.00	2.00	2.40	1.20	4.00	3.50	1.75	1.50	4.00	2.00	0.25
TOLE	±0.3	±0.1	±0.1	±0.1	±0.1	±0.1	±0.1	+0.1	±0.1	±0.1	±0.05

卷盤包裝示意图 Tape packing diagram



A	180±0.5
B	100±0.5
C	13.5±0.5
W	8.5±0.5

包裝數量 Packing quantity

項目 (Project)	數量 (PCS)	尺寸規格 (Size:mm)
盤(Reel)	2000	7"
內盒 (Inner box)	20K	185mm*185mm*120mm
外箱 (Out box)	120K	395mm*385mm*205mm



昕磊科技
SUNLEI T.C.

追求卓越、不斷創新、創造雙贏

www.sunlei.com.tw

SMD Power Inductors-SNR3010 Series

Electrical Characteristics

Part Number	Inductance	DC Resistance	Isat	Irms
	(uH)	(Ω) MAX	A	A
SNR3010H-1R0N-SRD	1.00	0.084	1.40	1.20
SNR3010H-1R5N-SRD	1.50	0.130	1.27	1.10
SNR3010H-2R2M-SRD	2.20	0.143	1.15	0.95
SNR3010H-3R3M-SRD	3.30	0.257	0.97	0.82
SNR3010H-4R7M-SRD	4.70	0.293	0.75	0.63
SNR3010H-6R8M-SRD	6.80	0.510	0.70	0.60
SNR3010H-100M-SRD	10.00	0.690	0.55	0.47
SNR3010H-150M-SRD	15.00	1.090	0.42	0.40
SNR3010H-220M-SRD	22.00	1.200	0.35	0.32
SNR3010H-330M-SRD	33.00	2.360	0.29	0.25
SNR3010H-390M-SRD	39.00	2.550	0.28	0.23
SNR3010H-470M-SRD	47.00	2.800	0.22	0.20

● Test Frequency: 100KHz/0.25V

Note

- 公差 Tolerance: N: ±30%、M: ±20%、K: ±10%.
- 工作溫度 Operating temperature rang: -40 °C to +125°C (Including Self-heating)
- 儲存溫度 Storage temperature rang: -40 °C to +125°C
- 額定電流: 指使電感量比初始值下降30%Max或電感器表面溫度上升 $\Delta T \leq 40^\circ\text{C}$ 的電流值 (參考周圍環境溫度 25°C)。The rated DC current is that which cause at 30%Max inductance reduction from the initial value or inductor surface temperature to rise by $\Delta T \leq 40^\circ\text{C}$, whichever is smaller (Reference ambient temperature 25°C)。



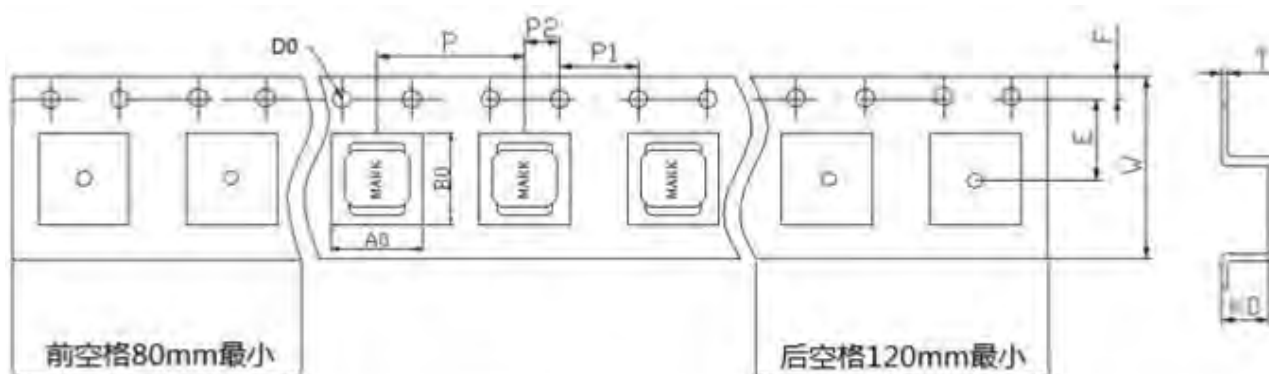
地址: 23544 新北市中和區中山路三段110號9樓之8 電話: +886-2-82287672 傳真: +886-2-82287673 E-MAIL: sale-d@sunlei.com.tw



SMD Power Inductors-SNR3010 Series

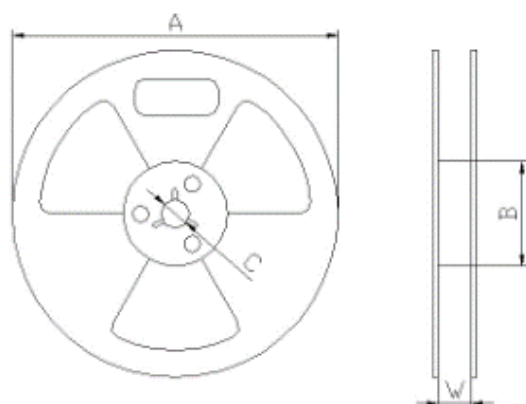
PACKAGING

載帶包裝示意图 Tape packing diagram



ITEM	W	A0	B0	K0	P	E	F	D0	P0	P2	T
DIM	8.00	3.2	3.2	1.32	4.00	3.5	1.75	1.50	4.00	2.00	0.30
TOLE	±0.3	±0.1	±0.1	±0.1	±0.1	±0.1	±0.1	±0.1	±0.1	±0.1	±0.05

卷盤包裝示意图 Tape packing diagram



A	180±0.5
B	100±0.5
C	13.5±0.5
W	8.5±0.5

包裝數量 Packing quantity

項目 (Project)	數量 (PCS)	尺寸規格 (Size:mm)
盤(Reel)	2000	7"
內盒 (Inner box)	20K	185mm*185mm*120mm
外箱 (Out box)	120K	395mm*385mm*205mm



昕磊科技
SUNLEI T.C.

追求卓越、不斷創新、創造雙贏

www.sunlei.com.tw

SMD Power Inductors-SNR4010 Series

Electrical Characteristics

Part Number	Inductance	DC Resistance	Isat	Irms
	(uH)	(Ω) MAX	A	A
SNR4010H-2R2M-SRD	2.20	0.143	1.60	1.40
SNR4010H-3R3M-SRD	3.30	0.169	1.40	1.30
SNR4010H-4R7M-SRD	4.70	0.182	1.30	1.20
SNR4010H-6R8M-SRD	6.80	0.338	1.00	1.00
SNR4010H-100M-SRD	10.00	0.529	0.80	0.75
SNR4010H-150M-SRD	15.00	0.884	0.65	0.60
SNR4010H-220M-SRD	22.00	1.040	0.55	0.50

● Test Frequency: 100KHz/0.25V

Note

- 公差Tolerance: N:±30%、M:±20%、K:±10%.
- 工作溫度Operating temperature rang: -40 °C to +125°C (Including Self-heating)
- 儲存溫度Storage temperature rang: -40 °C to +125°C
- 額定電流: 指使電感量比初始值下降30%Max或電感器表面溫度上升 $\Delta T \leq 40^\circ\text{C}$ 的電流值 (參考周圍環境溫度 25°C)。The rated DC current is that which cause at 30%Max inductance reduction from the initial value or inductor surface temperature to rise by $\Delta T \leq 40^\circ\text{C}$, whichever is smaller (Reference ambient temperature 25°C)。



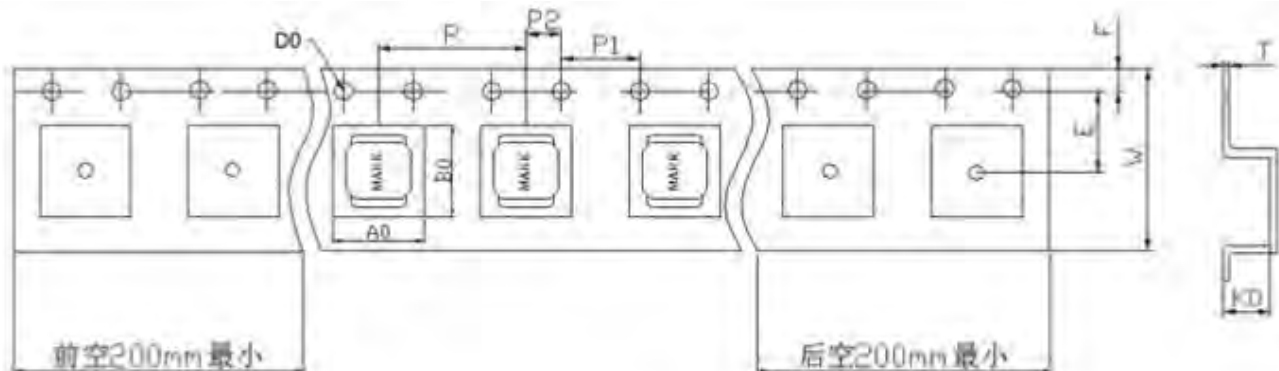
地址: 23544 新北市中和區中山路三段110號9樓之8 電話: +886-2-82287672 傳真: +886-2-82287673 E-MAIL: sale-d@sunlei.com.tw



SMD Power Inductors-SNR4010 Series

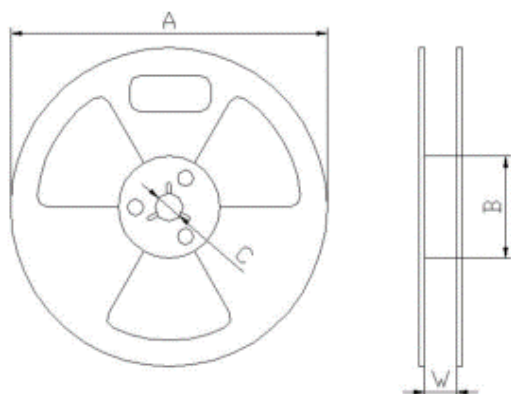
PACKAGING

載帶包裝示意图 Tape packing diagram



ITEM	W	A0	B0	K0	P	E	F	D0	P0	P2	T
DIM	12.00	4.30	4.30	1.20	8.00	5.50	1.75	1.50	4.00	2.00	0.30
TOLE	±0.3	±0.1	±0.1	±0.1	±0.1	±0.1	±0.1	±0.1	±0.1	±0.1	±0.05

卷盤包裝示意图 Tape packing diagram



A	330±0.5
B	100±0.5
C	13.5±0.5
W	12.5±0.5

包裝數量 Packing quantity

項目 (Project)	數量 (PCS)	尺寸規格 (Size:mm)
盤(Reel)	4500	13"
內盒 (Inner box)	18000	340mm*340mm*65mm
外箱 (Out box)	54000	360mm*360mm*225mm



SMD Power Inductors-SNR4012 Series

Electrical Characteristics

Part Number	Inductance	DC Resistance	Isat	Irms
	(uH)	(Ω) MAX	A	A
SNR4012H-R68N-SRD	0.68	0.058	3.20	1.72
SNR4012H-1R0N-SRD	1.00	0.065	2.61	1.65
SNR4012H-1R5N-SRD	1.50	0.094	2.50	1.46
SNR4012H-2R2M-SRD	2.20	0.105	2.10	1.32
SNR4012H-3R3M-SRD	3.30	0.149	1.80	1.12
SNR4012H-4R7M-SRD	4.70	0.163	1.20	1.05
SNR4012H-6R8M-SRD	6.80	0.286	1.18	0.84
SNR4012H-100M-SRD	10.00	0.442	0.95	0.77
SNR4012H-150M-SRD	15.00	0.651	0.80	0.64
SNR4012H-220M-SRD	22.00	1.01	0.65	0.49
SNR4012H-330M-SRD	33.00	1.28	0.55	0.42
SNR4012H-470M-SRD	47.00	2.21	0.45	0.37

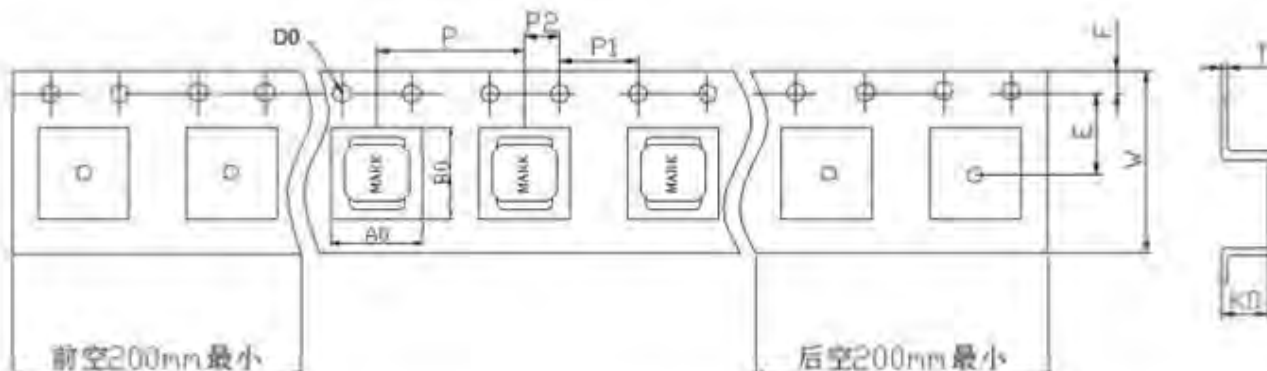
● Test Frequency: 100KHz/0.25V

Note

- 公差Tolerance: N:±30%、M:±20%、K:±10%.
- 工作溫度Operating temperature rang: -40 °C to +125°C (Including Self-heating)
- 儲存溫度Storage temperature rang: -40 °C to +125°C
- 額定電流: 指使電感量比初始值下降30%Max或電感器表面溫度上升 $\Delta T \leq 40^\circ\text{C}$ 的電流值 (參考周圍環境溫度 25°C)。The rated DC current is that which cause at 30%Max inductance reduction from the initial value or inductor surface temperature to rise by $\Delta T \leq 40^\circ\text{C}$, whichever is smaller (Reference ambient temperature 25°C)。

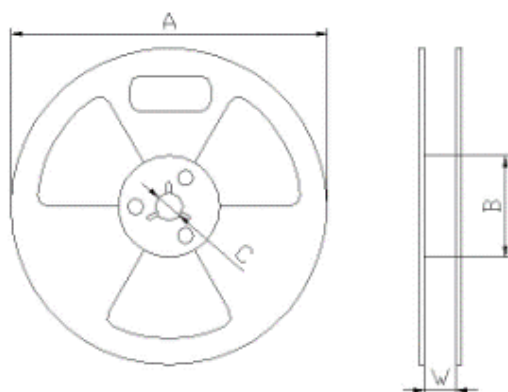

SMD Power Inductors-SNR4012 Series
PACKAGING

載帶包裝示意图 Tape packing diagram



ITEM	W	A0	B0	K0	P	E	F	D0	P0	P2	T
DIM	12.00	4.30	4.30	1.40	8.00	5.50	1.75	1.50	4.00	2.00	0.30
TOLE	±0.3	±0.1	±0.1	±0.1	±0.1	±0.1	±0.1	+0.1	±0.1	±0.1	±0.05

卷盘包裝示意图 Tape packing diagram



A	330±0.5
B	100±0.5
C	13.5±0.5
W	12.5±0.5

包裝數量 Packing quantity

項目 (Project)	數量 (PCS)	尺寸規格 (Size:mm)
盤 (Reel)	4500	13"
內盒 (Inner box)	18000	340mm*340mm*65mm
外箱 (Out box)	54000	360mm*360mm*225mm



昕磊科技
SUNLEI T.C.

追求卓越、不斷創新、創造雙贏

www.sunlei.com.tw

SMD Power Inductors-SNR5012 Series

Electrical Characteristics

Part Number	Inductance	DC Resistance	Isat	Irms
	(uH)	(Ω) MAX	A	A
SNR5012H-R47N-SRD	0.47	0.065	4.50	2.20
SNR5012H-1R0N-SRD	1.00	0.085	4.00	1.90
SNR5012H-1R5N-SRD	1.50	0.104	3.20	1.70
SNR5012H-2R2N-SRD	2.20	0.140	2.80	1.45
SNR5012H-3R3M-SRD	3.30	0.188	2.30	1.20
SNR5012H-4R7M-SRD	4.70	0.240	1.90	1.10
SNR5012H-6R8M-SRD	6.80	0.364	1.60	0.90
SNR5012H-100M-SRD	10.00	0.480	1.20	0.75
SNR5012H-150M-SRD	15.00	0.650	1.00	0.70
SNR5012H-220M-SRD	22.00	1.027	0.95	0.55
SNR5012H-330M-SRD	33.00	1.560	0.85	0.45

● Test Frequency: 100KHz/0.25V

Note

- 公差Tolerance: N:±30%、M:±20%、K:±10%.
- 工作溫度Operating temperature rang: -40 °C to +125°C (Including Self-heating)
- 儲存溫度Storage temperature rang: -40 °C to +125°C
- 額定電流: 指使電感量比初始值下降30%Max或電感器表面溫度上升 $\Delta T \leq 40^\circ\text{C}$ 的電流值 (參考周圍環境溫度 25°C)。The rated DC current is that which cause at 30%Max inductance reduction from the initial value or inductor surface temperature to rise by $\Delta T \leq 40^\circ\text{C}$, whichever is smaller (Reference ambient temperature 25°C)。)



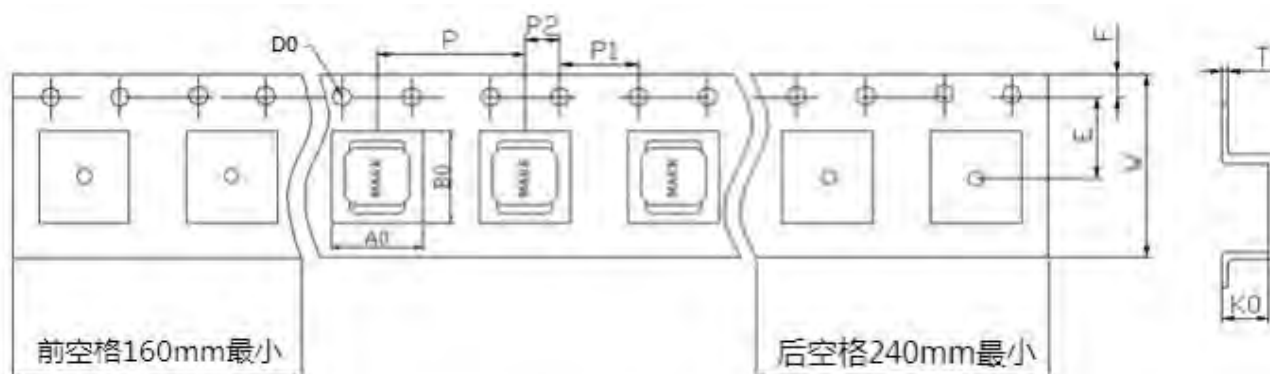
地址: 23544 新北市中和區中山路三段110號9樓之8 電話: +886-2-82287672 傳真: +886-2-82287673 E-MAIL: sale-d@sunlei.com.tw



SMD Power Inductors-SNR5012 Series

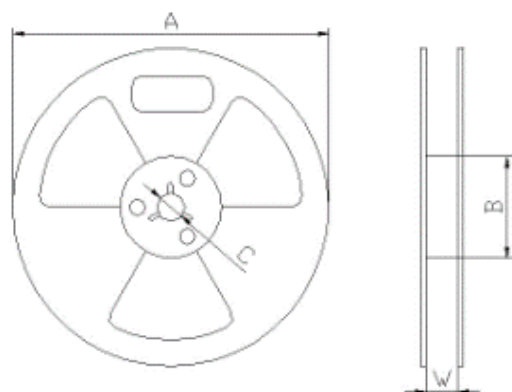
PACKAGING

載帶包裝示意图 Tape packing diagram



ITEM	W	A0	B0	K0	P	E	F	D0	P0	P2	T
DIM	12.00	5.30	5.30	1.40	8.00	5.50	1.75	1.50	4.00	2.00	0.30
TOLE	±0.3	±0.1	±0.1	±0.1	±0.1	±0.1	±0.1	±0.1	±0.1	±0.1	±0.05

卷盤包裝示意图 Tape packing diagram



A	330±0.5
B	100±0.5
C	13.5±0.5
W	12.5±0.5

包裝數量 Packing quantity

項目 (Project)	數量 (PCS)	尺寸規格 (Size:mm)
盤(Reel)	3000	13"
內盒 (Inner box)	12000	340mm*340mm*65mm
外箱 (Out box)	36000	360mm*360mm*225mm



SMD Power Inductors-SNR1050 Series

Electrical Characteristics

Part Number	Inductance	DC Resistance	Isat	Irms
	(uH)	(Ω) MAX	A	A
SNR1050H-1R0N-SRD	1.00	0.018	14.20	6.40
SNR1050H-1R5N-SRD	1.50	0.020	12.80	6.00
SNR1050H-2R2N-SRD	2.20	0.025	12.10	5.50
SNR1050H-3R3N-SRD	3.30	0.027	11.20	5.00
SNR1050H-4R7N-SRD	4.70	0.030	10.30	4.60
SNR1050H-6R8M-SRD	6.80	0.037	9.00	4.20
SNR1050H-100M-SRD	10.0	0.048	7.20	3.70
SNR1050H-150M-SRD	15.0	0.059	6.00	3.20
SNR1050H-220M-SRD	22.0	0.085	4.30	2.70
SNR1050H-330M-SRD	33.0	0.104	4.00	2.30
SNR1050H-470M-SRD	47.0	0.163	3.30	2.00
SNR1050H-680M-SRD	68.0	0.235	3.00	1.80
SNR1050H-101M-SRD	100.0	0.338	2.50	1.40
SNR1050H-151M-SRD	150.0	0.438	2.00	1.20
SNR1050H-221M-SRD	220.0	0.675	1.80	1.00
SNR1050H-271M-SRD	270.0	0.858	1.50	0.90
SNR1050H-331M-SRD	330.0	1.100	1.40	0.85
SNR1050H-471M-SRD	470.0	1.430	1.20	0.73
SNR1050H-561M-SRD	560.0	1.750	1.10	0.68
SNR1050H-681M-SRD	680.0	1.980	1.00	0.65
SNR1050H-821M-SRD	820.0	2.730	0.90	0.55
SNR1050H-102M-SRD	1000.0	3.420	0.80	0.50

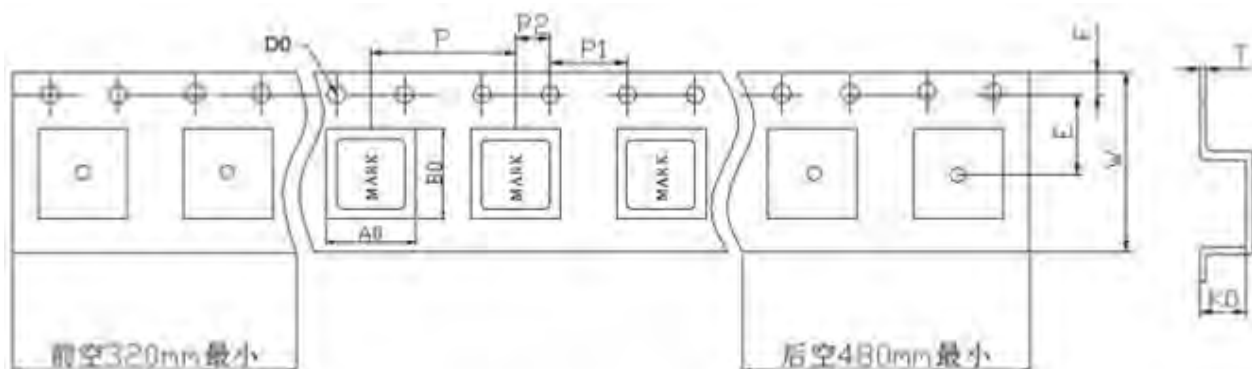
● Test Frequency: 100KHz/0.25V

Note

- 公差Tolerance: N:±30%、M:±20%、K:±10%.
- 工作溫度Operating temperature rang: -40 °C to +125°C (Including Self-heating)
- 儲存溫度Storage temperature rang: -40 °C to +125°C
- 額定電流: 指使電感量比初始值下降30%Max或電感器表面溫度上升 $\Delta T \leq 40^\circ\text{C}$ 的電流值 (參考周圍環境溫度25°C)。The rated DC current is that which cause at 30%Max inductance reduction from the initial value or inductor surface temperature to rise by $\Delta T \leq 40^\circ\text{C}$, whichever is smaller (Reference ambient temperature 25°C)。

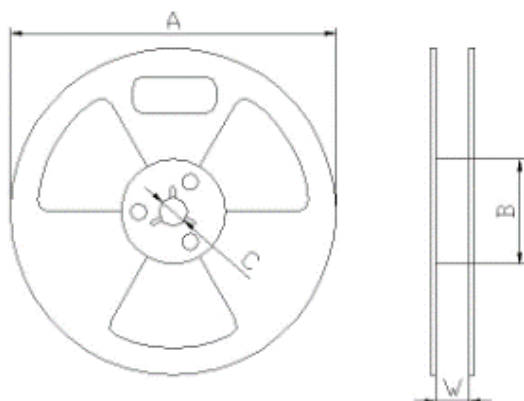

SMD Power Inductors-SNR1050 Series
PACKAGING

载带包装示意图 Tape packing diagram



ITEM	W	A0	B0	K0	P	E	F	D0	P0	P2	T
DIM	24.00	10.4	10.4	5.2	16.00	7.5	1.75	1.50	4.00	2.00	0.40
TOLE	±0.3	±0.1	±0.1	±0.1	±0.1	±0.1	±0.1	±0.1	±0.1	±0.1	±0.05

卷盘包装示意图 Tape packing diagram



A	330±0.5
B	100±0.5
C	13.5±0.5
W	24.5±0.5

包装数量 Packing quantity

项目 (Project)	数量 (PCS)	尺寸规格 (Size:mm)
盘(Reel)	800	13"
内盒 (Inner box)	2400	340mm*340mm*65mm
外箱 (Out box)	7200	360mm*360mm*225mm



SMD Power Inductors-SNR3012 Series

Electrical Characteristics

Part Number	Inductance	DC Resistance	Isat	Irms
	(uH)	(Ω) MAX	A	A
SNR3012L-R47N-SRD	0.47	0.035	2.20	2.20
SNR3012L-R82N-SRD	0.82	0.039	2.05	2.10
SNR3012L-1R0N-SRD	1.00	0.052	1.90	2.00
SNR3012L-1R5N-SRD	1.50	0.059	1.65	1.85
SNR3012L-2R2M-SRD	2.20	0.098	1.20	1.55
SNR3012L-3R3M-SRD	3.30	0.130	1.05	1.36
SNR3012L-3R9M-SRD	3.90	0.145	1.00	1.24
SNR3012L-4R7M-SRD	4.70	0.156	0.90	1.24
SNR3012L-6R8M-SRD	6.80	0.247	0.75	0.98
SNR3012L-100M-SRD	10.0	0.345	0.60	0.83
SNR3012L-120M-SRD	12.0	0.449	0.48	0.73
SNR3012L-150M-SRD	15.0	0.468	0.45	0.71
SNR3012L-220M-SRD	22.0	0.839	0.42	0.53
SNR3012L-330M-SRD	33.0	1.138	0.36	0.46
SNR3012L-470M-SRD	47.0	1.885	0.27	0.35
SNR3012L-680M-SRD	68.0	2.171	0.24	0.33

● Test Frequency: 100KHz/0.25V

Note

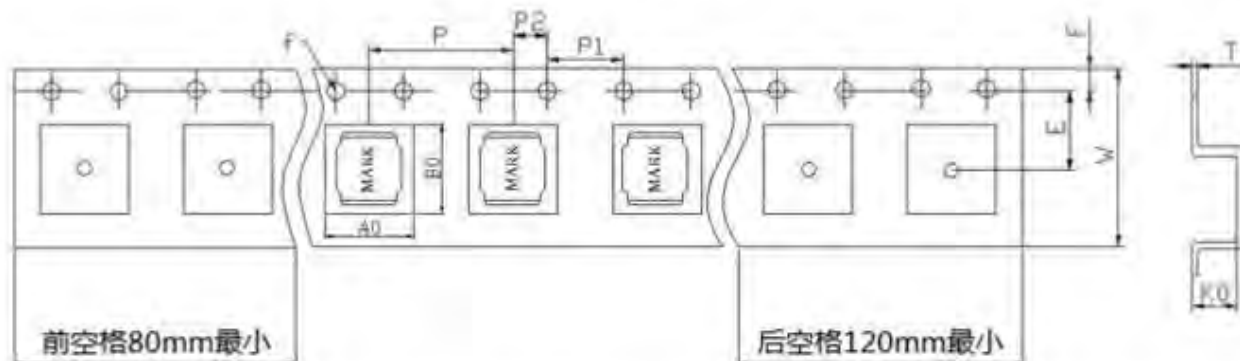
- 公差Tolerance: N:±30%、M:±20%、K:±10%.
- 工作溫度Operating temperature rang: -40 °C to +125°C (Including Self-heating)
- 儲存溫度Storage temperature rang: -40 °C to +125°C
- 額定電流: 指使電感量比初始值下降30%Max或電感器表面溫度上升 $\Delta T \leq 40^\circ\text{C}$ 的電流值 (參考周圍環境溫度 25°C)。The rated DC current is that which cause at 30%Max inductance reduction from the initial value or inductor surface temperature to rise by $\Delta T \leq 40^\circ\text{C}$, whichever is smaller (Reference ambient temperature 25°C)。



SMD Power Inductors-SNR3012 Series

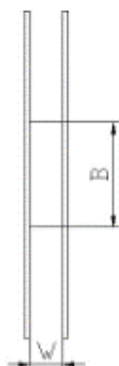
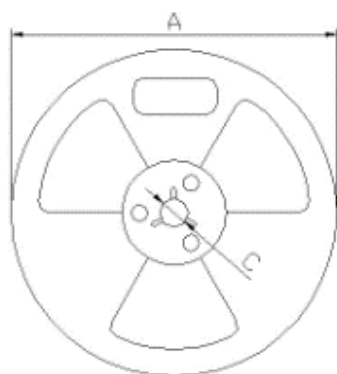
PACKAGING

载带包装示意图 Tape packing diagram



ITEM	W	A0	B0	K0	P	E	F	D0	P0	P2	T
DIM	8.00	3.2	3.2	1.32	4.00	3.5	1.75	1.50	4.00	2.00	0.30
TOLE	±0.3	±0.1	±0.1	±0.1	±0.1	±0.1	±0.1	±0.1	±0.1	±0.1	±0.05

卷盘包装示意图 Tape packing diagram



A	180±0.5
B	100±0.5
C	13.5±0.5
W	8.5±0.5

包装数量 Packing quantity

项目 (Project)	数量 (PCS)	尺寸规格 (Size:mm)
盘(Reel)	2000	7"
内盒 (Inner box)	20K	185mm*185mm*120mm
外箱 (Out box)	120K	395mm*385mm*205mm



SMD Power Inductors-SNR3015 Series

Electrical Characteristics

Part Number	Inductance	DC Resistance	Isat	Irms
	(uH)	(Ω) MAX	A	A
SNR3015L-R47N-SRD	0.47	0.027	2.50	2.35
SNR3015L-1R0N-SRD	1.00	0.039	2.32	2.10
SNR3015L-1R5N-SRD	1.50	0.065	2.00	1.70
SNR3015L-2R2N-SRD	2.20	0.078	1.60	1.60
SNR3015L-2R7M-SRD	2.70	0.098	1.52	1.43
SNR3015L-3R3M-SRD	3.30	0.104	1.32	1.36
SNR3015L-4R7M-SRD	4.70	0.163	1.10	1.09
SNR3015L-6R8M-SRD	6.80	0.260	0.85	0.85
SNR3015L-100M-SRD	10.0	0.325	0.72	0.77
SNR3015L-150M-SRD	15.0	0.455	0.66	0.65
SNR3015L-220M-SRD	22.0	0.598	0.52	0.57
SNR3015L-330M-SRD	33.0	1.066	0.40	0.36
SNR3015L-470M-SRD	47.0	1.625	0.30	0.28
SNR3015L-101M-SRD	100.0	4.043	0.23	0.21
SNR3015L-151M-SRD	150.0	4.940	0.18	0.19

● Test Frequency: 100KHz/0.25V

Note

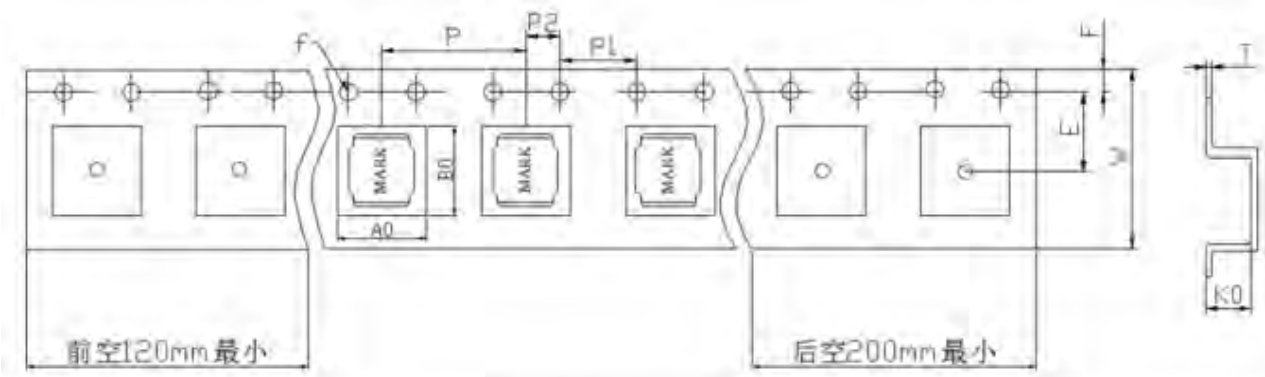
- 公差Tolerance: N:±30%、M:±20%、K:±10%.
- 工作溫度Operating temperature rang: -40 °C to +125°C (Including Self-heating)
- 儲存溫度Storage temperature rang: -40 °C to +125°C
- 額定電流: 指使電感量比初始值下降30%Max或電感器表面溫度上升 $\Delta T \leq 40^{\circ}\text{C}$ 的電流值 (參考周圍環境溫度 25°C)。The rated DC current is that which cause at 30%Max inductance reduction from the initial value or inductor surface temperature to rise by $\Delta T \leq 40^{\circ}\text{C}$, whichever is smaller (Reference ambient temperature 25°C)。



SMD Power Inductors-SNR3015 Series

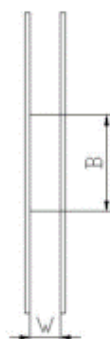
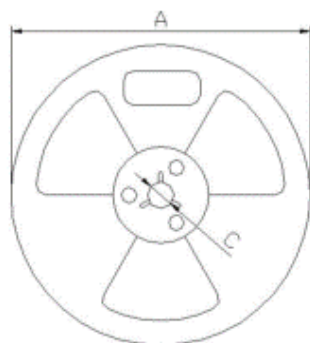
PACKAGING

载带包装示意图 Tape packing diagram



ITEM	W	A0	B0	K0	P	E	F	D0	P0	P2	T
DIM	8.00	3.2	3.2	1.7	4.00	3.5	1.75	1.50	4.00	2.00	0.30
TOLE	±0.3	±0.1	±0.1	±0.1	±0.1	±0.1	±0.1	+0.1	±0.1	±0.1	±0.05

卷盘包装示意图 Tape packing diagram



A	180±0.5
B	100±0.5
C	13.5±0.5
W	8.5±0.5

包装数量 Packing quantity

项目 (Project)	数量 (PCS)	尺寸规格 (Size:mm)
盘(Reel)	2000	7"
内盒 (Inner box)	20K	185mm*185mm*120mm
外箱 (Out box)	120K	395mm*385mm*205mm



SMD Power Inductors-SNR4018Series

Electrical Characteristics

Part Number	Inductance	DC Resistance	Isat	Irms
	(uH)	(Ω) MAX	A	A
SNR4018L-R24N-SRD	0.24	0.018	6.00	4.30
SNR4018L-R33N-SRD	0.33	0.018	6.00	4.30
SNR4018L-R47N-SRD	0.47	0.025	5.00	3.30
SNR4018L-R56N-SRD	0.56	0.025	5.00	3.30
SNR4018L-1R0N-SRD	1.00	0.033	4.80	2.00
SNR4018L-1R5N-SRD	1.50	0.039	3.35	1.80
SNR4018L-1R8N-SRD	1.80	0.044	3.00	2.00
SNR4018L-2R0N-SRD	2.00	0.059	2.70	1.65
SNR4018L-2R2M-SRD	2.20	0.059	2.70	1.65
SNR4018L-3R3M-SRD	3.30	0.091	2.45	1.23
SNR4018L-4R7M-SRD	4.70	0.117	1.70	1.20
SNR4018L-5R6M-SRD	5.60	0.130	1.60	1.12
SNR4018L-6R8M-SRD	6.80	0.143	1.45	1.06
SNR4018L-8R2M-SRD	8.20	0.188	1.38	0.93
SNR4018L-100M-SRD	10.0	0.234	1.30	0.84
SNR4018L-150M-SRD	15.0	0.325	0.94	0.65
SNR4018L-220M-SRD	22.0	0.468	0.80	0.59
SNR4018L-330M-SRD	33.0	0.689	0.65	0.49
SNR4018L-470M-SRD	47.0	0.845	0.57	0.42

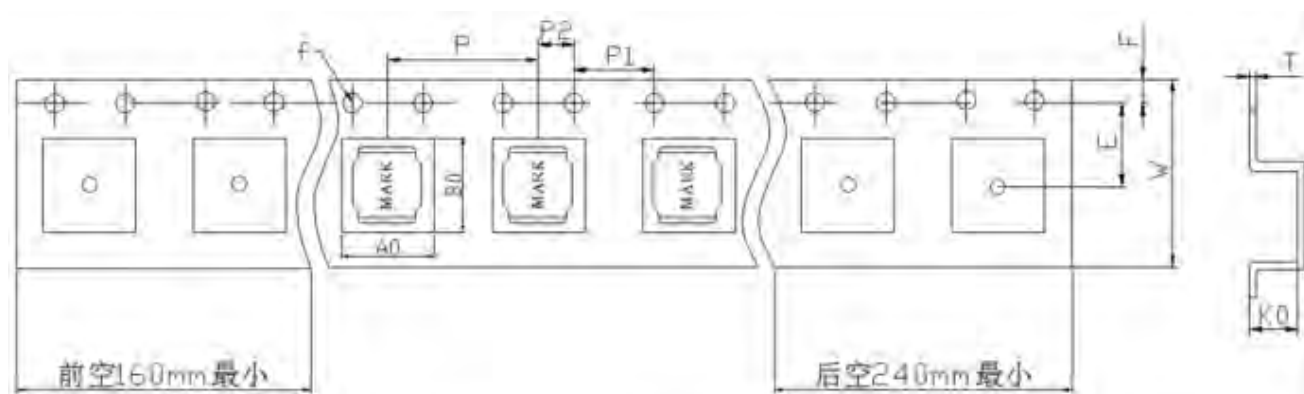
● Test Frequency: 100KHz/0.25V

Note

- 公差 Tolerance: N: ±30%、M: ±20%、K: ±10%.
- 工作溫度 Operating temperature rang: -40 °C to +125°C (Including Self-heating)
- 儲存溫度 Storage temperature rang: -40 °C to +125°C
- 額定電流: 指使電感量比初始值下降30%Max或電感器表面溫度上升 $\Delta T \leq 40^\circ\text{C}$ 的電流值 (參考周圍環境溫度 25°C)。The rated DC current is that which cause at 30%Max inductance reduction from the initial value or inductor surface temperature to rise by $\Delta T \leq 40^\circ\text{C}$, whichever is smaller (Reference ambient temperature 25°C)。

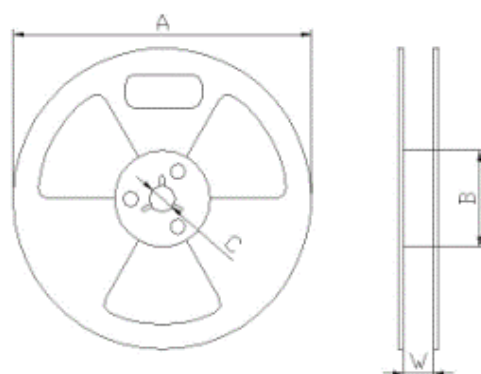

SMD Power Inductors-SNR4018Series
PACKAGING

载带包装示意图 Tape packing diagram



ITEM	W	A0	B0	K0	P	E	F	D0	P0	P2	T
DIM	12.00	4.30	4.30	2.00	8.00	5.50	1.75	1.50	4.00	2.00	0.30
TOLE	±0.3	±0.1	±0.1	±0.1	±0.1	±0.1	±0.1	+0.1	±0.1	±0.1	±0.05

卷盘包装示意图 Tape packing diagram



A	330±0.5
B	100±0.5
C	13.5±0.5
W	12.5±0.5

包装数量 Packing quantity

项目 (Project)	数量 (PCS)	尺寸规格 (Size:mm)
盘(Reel)	3000	13"
内盒 (Inner box)	9000	340mm*340mm*65mm
外箱 (Out box)	2700	360mm*360mm*225mm



SMD Power Inductors-SNR4020 Series

Electrical Characteristics

Part Number	Inductance	DC Resistance	Isat	Irms
	(uH)	(Ω) MAX	A	A
SNR4020L-1R0N-SRD	1.00	0.038	4.78	2.15
SNR4020L1R5N-SRD	1.50	0.046	4.45	1.98
SNR4020L-2R2N-SRD	2.20	0.052	3.40	1.85
SNR4020L-3R3M-SRD	3.30	0.091	3.20	1.40
SNR4020L-4R7M-SRD	4.70	0.098	2.35	1.34
SNR4020L-5R6M-SRD	5.60	0.117	2.20	1.22
SNR4020L-6R8M-SRD	6.80	0.163	2.20	1.04
SNR4020L-100M-SRD	10.00	0.215	1.60	0.90
SNR4020L-120M-SRD	12.00	0.228	1.50	0.88
SNR4020L-150M-SRD	15.0	0.299	1.35	0.77
SNR4020L-220M-SRD	22.0	0.455	1.05	0.62
SNR4020L-270M-SRD	27.0	0.611	1.02	0.50
SNR4020L-330M-SRD	33.0	0.715	0.85	0.49
SNR4020L-470M-SRD	47.0	0.923	0.74	0.44
SNR4020L-680M-SRD	68.0	1.380	0.61	0.36
SNR4020L-820M-SRD	82.0	1.520	0.50	0.34
SNR4020L-101M-SRD	100.0	2.020	0.48	0.31
SNR4020L-221M-SRD	220.0	5.340	0.30	0.24

● Test Frequency: 100KHz/0.25V

Note

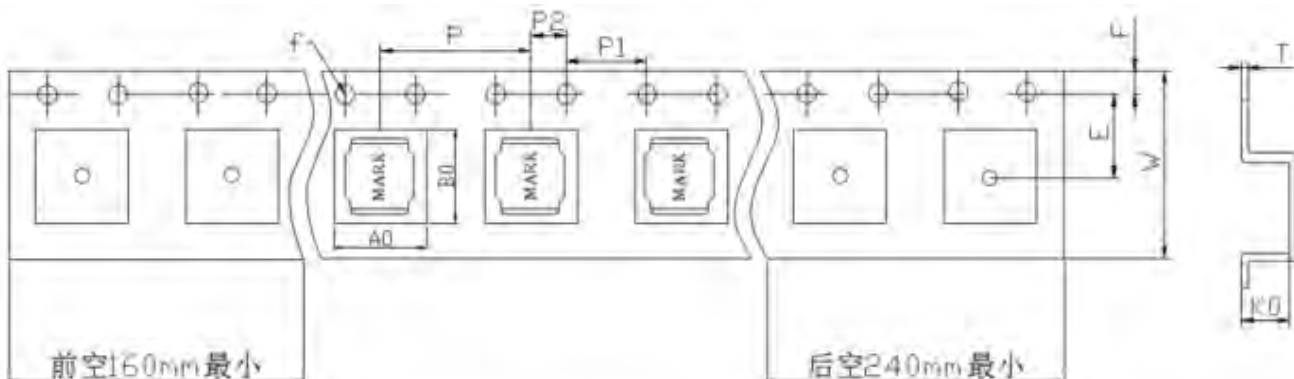
- 公差Tolerance: N:±30%、M:±20%、K:±10%.
- 工作溫度Operating temperature rang: -40 °C to +125°C (Including Self-heating)
- 儲存溫度Storage temperature rang: -40 °C to +125°C
- 額定電流: 指使電感量比初始值下降30%Max或電感器表面溫度上升 $\Delta T \leq 40^\circ\text{C}$ 的電流值 (參考周圍環境溫度 25°C)。The rated DC current is that which cause at 30%Max inductance reduction from the initial value or inductor surface temperature to rise by $\Delta T \leq 40^\circ\text{C}$, whichever is smaller (Reference ambient temperature 25°C)。



SMD Power Inductors-SNR4020 Series

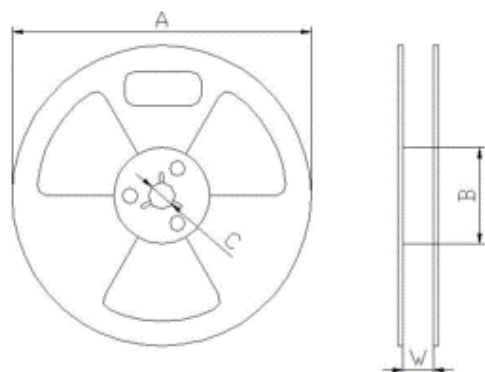
PACKAGING

載帶包裝示意图 Tape packing diagram



ITEM	W	A0	B0	K0	P	E	F	D0	P0	P2	T
DIM	12.00	4.30	4.30	2.20	8.00	5.50	1.75	1.50	4.00	2.00	0.30
TOLE	±0.3	±0.1	±0.1	±0.1	±0.1	±0.1	±0.1	+0.1	±0.1	±0.1	±0.05

卷盤包裝示意图 Tape packing diagram



A	330±0.5
B	100±0.5
C	13.5±0.5
W	12.5±0.5

包裝數量 Packing quantity

項目 (Project)	數量 (PCS)	尺寸規格 (Size:mm)
盤(Reel)	3000	13"
內盒 (Inner box)	9000	340mm*340mm*65mm
外箱 (Out box)	2700	360mm*360mm*225mm

SMD Power Inductors-SNR4030 Series

Electrical Characteristics

Part Number	Inductance	DC Resistance	Isat	Irms
	(uH)	(Ω) MAX	A	A
SNR4030L-R24N-SRD	0.24	0.012	8.00	5.10
SNR4030L-R47N-SRD	0.47	0.013	7.50	4.82
SNR4030L-R68N-SRD	0.68	0.013	6.80	4.56
SNR4030L-1R0N-SRD	1.00	0.018	5.26	4.15
SNR4030L-1R5N-SRD	1.50	0.026	4.84	3.34
SNR4030L-2R2M-SRD	2.20	0.039	4.10	2.95
SNR4030L-3R3M-SRD	3.30	0.052	3.30	2.40
SNR4030L-4R7M-SRD	4.70	0.078	2.90	2.00
SNR4030L-5R6M-SRD	5.60	0.085	2.75	1.95
SNR4030L-6R8M-SRD	6.80	0.117	2.60	1.60
SNR4030L-8R2M-SRD	8.20	0.117	2.10	1.60
SNR4030L-100M-SRD	10.0	0.130	1.95	1.50
SNR4030L-120M-SRD	12.0	0.175	1.70	1.30
SNR4030L-150M-SRD	15.0	0.247	1.65	1.11
SNR4030L-220M-SRD	22.0	0.292	1.30	1.00
SNR4030L-330M-SRD	33.0	0.429	1.10	0.84
SNR4030L-470M-SRD	47.0	0.579	0.95	0.72
SNR4030L-560M-SRD	56.0	0.722	0.85	0.65
SNR4030L-680M-SRD	68.0	1.128	0.72	0.52
SNR4030L-820M-SRD	82.0	1.378	0.66	0.47
SNR4030L-101M-SRD	100.0	1.495	0.60	0.45
SNR4030L-151M-SRD	150.0	2.340	0.50	0.30
SNR4030L-181M-SRD	180.0	3.400	0.45	0.26
SNR4030L-221M-SRD	220.0	3.250	0.40	0.35
SNR4030L-331M-SRD	330.0	5.200	0.30	0.25
SNR4030L-471M-SRD	470.0	9.360	0.30	0.20
SNR4030L-561M-SRD	560.0	9.027	0.28	0.15
SNR4030L-222M-SRD	2200.0	27.00	0.13	0.05

● Test Frequency: 100KHz/0.25V

Note

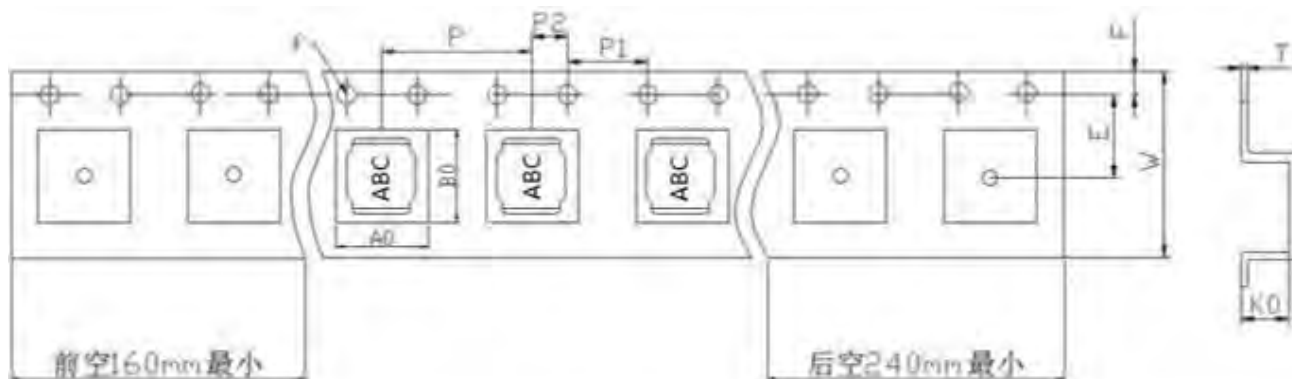
- 公差Tolerance: N:±30%、M:±20%、K:±10%.
- 工作溫度Operating temperature rang: -40 °C to +125°C (Including Self-heating)
- 儲存溫度Storage temperature rang: -40 °C to +125°C
- 額定電流: 指使電感量比初始值下降30%Max或電感器表面溫度上升 $\Delta T \leq 40^\circ\text{C}$ 的電流值 (參考周圍環境溫度 25°C)。The rated DC current is that which cause at 30%Max inductance reduction from the initial value or inductor surface temperature to rise by $\Delta T \leq 40^\circ\text{C}$, whichever is smaller (Reference ambient temperature 25°C)。



SMD Power Inductors-SNR4030 Series

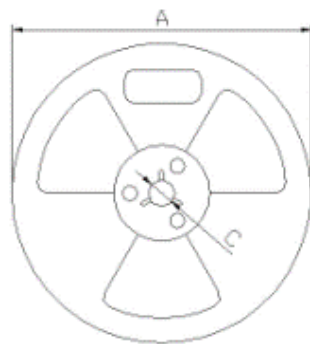
PACKAGING

载带包装示意图 Tape packing diagram



ITEM	W	A0	B0	K0	P	E	F	D0	P0	P2	T
DIM	12.00	4.30	4.30	3.20	8.00	5.50	1.75	1.50	4.00	2.00	0.30
TOLE	±0.3	±0.1	±0.1	±0.1	±0.1	±0.1	±0.1	+0.1	±0.1	±0.1	±0.05

卷盘包装示意图 Tape packing diagram



A	330±0.5
B	100±0.5
C	13.5±0.5
W	12.5±0.5

包装数量 Packing quantity

项目 (Project)	数量 (PCS)	尺寸规格 (Size:mm)
盘(Reel)	2000	13"
内盒 (Inner box)	8000	340mm*340mm*65mm
外箱 (Out box)	24000	360mm*360mm*225mm

SMD Power Inductors-SNR5020 Series

Electrical Characteristics

Part Number	Inductance	DC Resistance	Isat	Irms
	(uH)	(Ω) MAX	A	A
SNR5020L-R22N-SRD	0.22	0.017	9.00	5.30
SNR5020L-R24N-SRD	0.24	0.017	8.00	5.30
SNR5020L-R47N-SRD	0.47	0.017	6.50	4.60
SNR5020L-R56N-SRD	0.56	0.022	6.50	4.20
SNR5020L-R68N-SRD	0.68	0.022	5.10	4.00
SNR5020L-1R0N-SRD	1.00	0.029	4.25	3.80
SNR5020L-1R5N-SRD	1.50	0.034	4.10	3.20
SNR5020L-2R2N-SRD	2.20	0.042	3.85	2.90
SNR5020L-3R3M-SRD	3.30	0.056	3.25	2.40
SNR5020L4R7M-SRD	4.70	0.074	2.50	2.10
SNR5020L-5R6M-SRD	5.60	0.083	2.30	2.00
SNR5020L-6R8M-SRD	6.80	0.119	2.10	1.70
SNR5020L-8R2M-SRD	8.20	0.127	1.90	1.60
SNR5020L-100M-SRD	10.0	0.163	1.80	1.50
SNR5020L-150M-SRD	15.0	0.215	1.44	1.25
SNR5020L-220M-SRD	22.0	0.294	1.18	1.10
SNR5020L-330M-SRD	33.0	0.507	0.92	0.90
SNR5020L-470M-SRD	47.0	0.680	0.77	0.70
SNR5020L-680M-SRD	68.0	0.962	0.65	0.60
SNR5020L-101M-SRD	100.0	1.430	0.53	0.48
SNR5020L-121M-SRD	120.0	1.495	0.42	0.40
SNR5020L-151M-SRD	150.0	1.950	0.40	0.37
SNR5020L-201M-SRD	200.0	2.60	0.35	0.32
SNR5020L-221M-SRD	220.0	2.99	0.33	0.26
SNR5020L-471M-SRD	470.0	6.63	0.20	0.16
SNR5020L-561M-SRD	560.0	7.15	0.18	0.13
SNR5020L-681M-SRD	680.0	7.41	0.17	0.11
SNR5020L-122M-SRD	1200.0	14.69	0.10	0.07

● Test Frequency: 100KHz/0.25V

Note

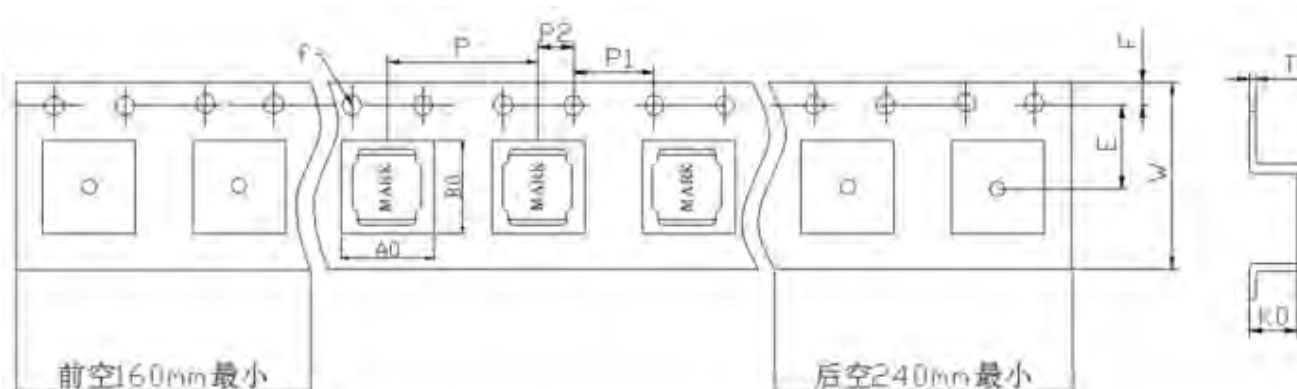
- 公差Tolerance: N: ±30%、M: ±20%、K: ±10%.
- 工作溫度Operating temperature rang: -40 °C to +125°C (Including Self-heating)
- 儲存溫度Storage temperature rang: -40 °C to +125°C
- 額定電流: 指使電感量比初始值下降30%Max或電感器表面溫度上升 $\Delta T \leq 40^\circ\text{C}$ 的電流值 (參考周圍環境溫度 25°C)。The rated DC current is that which cause at 30%Max inductance reduction from the initial value or inductor surface temperature to rise by $\Delta T \leq 40^\circ\text{C}$, whichever is smaller (Reference ambient temperature 25°C)。



SMD Power Inductors-SNR5020 Series

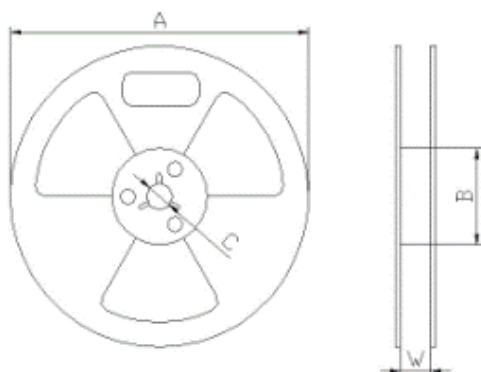
PACKAGING

載帶包裝示意图 Tape packing diagram



ITEM	W	A0	B0	K0	P	E	F	D0	P0	P2	T
DIM	12.00	5.30	5.30	2.20	8.00	5.50	1.75	1.50	4.00	2.00	0.30
TOLE	±0.3	±0.1	±0.1	±0.1	±0.1	±0.1	±0.1	±0.1	±0.1	±0.1	±0.05

卷盤包裝示意图 Tape packing diagram



A	330±0.5
B	100±0.5
C	13.5±0.5
W	12.5±0.5

包裝數量 Packing quantity

項目 (Project)	數量 (PCS)	尺寸規格 (Size:mm)
盤(Reel)	3000	13"
內盒 (Inner box)	12000	340mm*340mm*65mm
外箱 (Out box)	36000	360mm*360mm*225mm



SMD Power Inductors-SNR5030 Series

Electrical Characteristics

Part Number	Inductance	DC Resistance	Isat	Irms
	(uH)	(Ω) MAX	A	A
SNR5030L-R47N-SRD	0.47	0.013	8.00	/
SNR5030L-R56N-SRD	0.56	0.013	7.50	/
SNR5030L-1R0N-SRD	1.00	0.020	7.00	/
SNR5030L-1R5N-SRD	1.50	0.024	5.50	/
SNR5030L-2R2N-SRD	2.20	0.031	4.50	/
SNR5030L-3R3N-SRD	3.30	0.039	4.00	/
SNR5030L-4R7N-SRD	4.70	0.065	3.00	/
SNR5030L-5R6N-SRD	5.60	0.070	3.00	/
SNR5030L-6R8M-SRD	6.80	0.075	2.80	/
SNR5030L-100M-SRD	10.0	0.100	2.10	/
SNR5030L-150M-SRD	15.0	0.156	1.70	/
SNR5030L-220M-SRD	22.0	0.260	1.40	/
SNR5030L-330M-SRD	33.0	0.351	1.20	/
SNR5030L-470M-SRD	47.0	0.468	0.90	/
SNR5030L-101M-SRD	100.0	0.988	0.75	/
SNR5030L-151M-SRD	150.0	1.47	0.55	/
SNR5030L-181M-SRD	180.0	1.82	0.48	/
SNR5030L-221M-SRD	220.0	2.08	0.45	/
SNR5030L-331M-SRD	330.0	3.50	0.35	/
SNR5030L-471M-SRD	470.0	4.70	0.30	/
SNR5030L-102M-SRD	1000.0	10.80	0.20	/

● Test Frequency: 100KHz/0.25V

Note

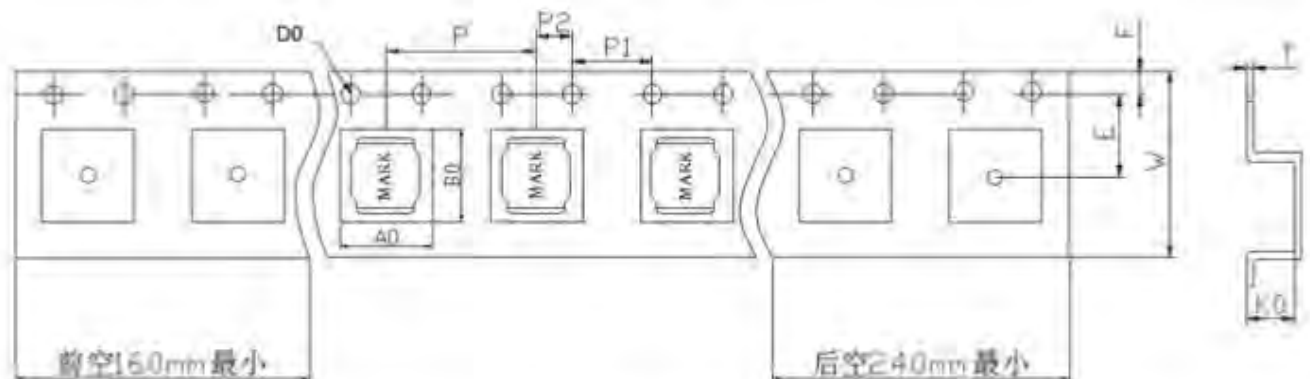
- 公差Tolerance: N:±30%、M:±20%、K:±10%.
- 工作溫度Operating temperature rang: -40 °C to +125°C (Including Self-heating)
- 儲存溫度Storage temperature rang: -40 °C to +125°C
- 額定電流: 指使電感量比初始值下降30%Max或電感器表面溫度上升 $\Delta T \leq 40^\circ\text{C}$ 的電流值 (參考周圍環境溫度 25°C)。The rated DC current is that which cause at 30%Max inductance reduction from the initial value or inductor surface temperature to rise by $\Delta T \leq 40^\circ\text{C}$, whichever is smaller (Reference ambient temperature 25°C)。



SMD Power Inductors-SNR5030 Series

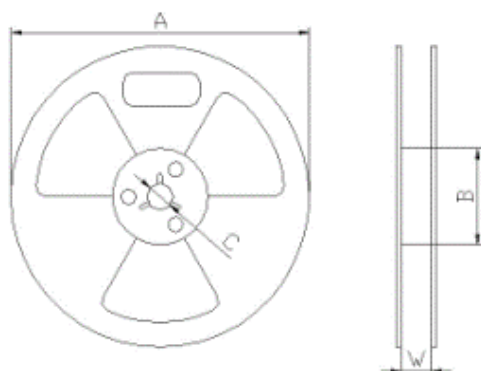
PACKAGING

载带包装示意图 Tape packing diagram



ITEM	W	A0	B0	K0	P	E	F	D0	P0	P2	T
DIM	12.00	5.30	5.3	3.20	8.00	5.50	1.75	1.50	4.00	2.00	0.30
TOLE	±0.3	±0.1	±0.1	±0.1	±0.1	±0.1	±0.1	+0.1	±0.1	±0.1	±0.05

卷盘包装示意图 Tape packing diagram



A	330±0.5
B	100±0.5
C	13.5±0.5
W	12.5±0.5

包装数量 Packing quantity

项目 (Project)	数量 (PCS)	尺寸规格 (Size:mm)
盘(Reel)	2000	13"
内盒 (Inner box)	8000	340mm*340mm*65mm
外箱 (Out box)	24000	360mm*360mm*225mm

SMD Power Inductors-SNR5040 Series

Electrical Characteristics

Part Number	Inductance	DC Resistance	Isat	Irms
	(uH)	(Ω) MAX	A	A
SNR5040L-1R0N-SRD	1.00	0.017	7.35	4.90
SNR5040L-1R2N-SRD	1.20	0.021	6.50	4.15
SNR5040L-1R5N-SRD	1.50	0.021	6.30	4.30
SNR5040L-2R2N-SRD	2.20	0.025	4.90	3.80
SNR5040L-3R3M-SRD	3.30	0.031	3.95	3.40
SNR5040L-3R9M-SRD	3.90	0.035	3.55	3.20
SNR5040L-4R7M-SRD	4.70	0.039	3.50	3.00
SNR5040L-5R6M-SRD	5.60	0.046	3.00	2.80
SNR5040L-6R8M-SRD	6.80	0.056	2.90	2.50
SNR5040L-8R2M-SRD	8.2	0.062	2.70	2.30
SNR5040L-100M-SRD	10.0	0.083	2.35	2.10
SNR5040L-150M-SRD	15.0	0.112	2.00	2.00
SNR5040L-220M-SRD	22.0	0.168	1.60	1.50
SNR5040L-330M-SRD	33.0	0.244	1.30	1.20
SNR5040L-470M-SRD	47.0	0.354	1.10	1.00
SNR5040L-560M-SRD	56.0	0.494	1.00	0.80
SNR5040L-680M-SRD	68.0	0.520	0.90	0.80
SNR5040L-101M-SRD	100.0	0.728	0.75	0.70
SNR5040L-151M-SRD	150.0	0.975	0.65	0.60
SNR5040L-181M-SRD	180.0	1.690	0.60	0.50
SNR5040L-201M-SRD	200.0	1.760	0.55	0.45
SNR5040L-221M-SRD	220.0	1.820	0.48	0.40
SNR5040L-331M-SRD	330.0	2.730	0.42	0.40
SNR5040L-471M-SRD	470.0	3.900	0.37	0.35
SNR5040L-561M-SRD	560.0	4.920	0.33	0.31
SNR5040L-681M-SRD	680.0	5.070	0.30	0.25
SNR5040L-102M-SRD	1000.0	7.800	0.25	0.20
SNR5040L-152M-SRD	1500.0	13.300	0.20	0.16

● Test Frequency: 100KHz/0.25V

Note

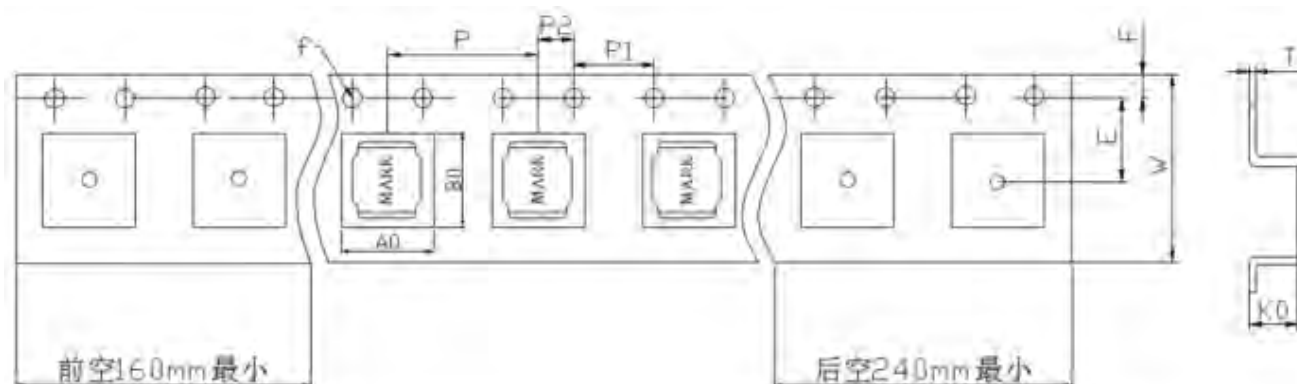
- 公差Tolerance: N: ±30%、M: ±20%、K: ±10%.
- 工作溫度Operating temperature rang: -40 °C to +125°C (Including Self-heating)
- 儲存溫度Storage temperature rang: -40 °C to +125°C
- 額定電流: 指使電感量比初始值下降30%Max或電感器表面溫度上升 $\Delta T \leq 40^\circ\text{C}$ 的電流值 (參考周圍環境溫度 25°C)。The rated DC current is that which cause at 30%Max inductance reduction from the initial value or inductor surface temperature to rise by $\Delta T \leq 40^\circ\text{C}$, whichever is smaller (Reference ambient temperature 25°C)。



SMD Power Inductors-SNR5040 Series

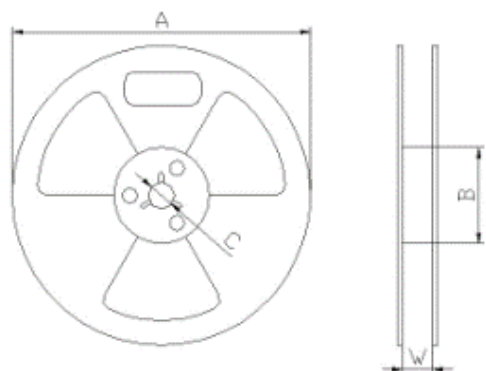
PACKAGING

載帶包裝示意图 Tape packing diagram



ITEM	W	A0	B0	K0	P	E	F	D0	P0	P2	T
DIM	12.00	5.30	5.30	4.20	8.00	5.50	1.75	1.50	4.00	2.00	0.30
TOLE	±0.3	±0.1	±0.1	±0.1	±0.1	±0.1	±0.1	+0.1	±0.1	±0.1	±0.05

卷盤包裝示意图 Tape packing diagram



A	330±0.5
B	100±0.5
C	13.5±0.5
W	12.5±0.5

包裝數量 Packing quantity

項目 (Project)	數量 (PCS)	尺寸規格 (Size:mm)
盤(Reel)	1500	13"
內盒 (Inner box)	6000	340mm*340mm*65mm
外箱 (Out box)	18000	360mm*360mm*225mm

SMD Power Inductors-SNR6020 Series

Electrical Characteristics

Part Number	Inductance	DC Resistance	Isat	Irms
	(uH)	(Ω) MAX	A	A
SNR6020L-1R0N-SRD	1.00	0.026	4.30	3.50
SNR6020L-1R5N-SRD	1.50	0.032	4.25	3.20
SNR6020L-2R2N-SRD	2.20	0.045	3.75	2.75
SNR6020L-3R3N-SRD	3.30	0.058	3.15	2.60
SNR6020L-4R7N-SRD	4.70	0.075	3.00	2.00
SNR6020L-5R6N-SRD	5.60	0.091	2.40	1.90
SNR6020L-6R8N-SRD	6.80	0.110	2.20	1.80
SNR6020L-100M-SRD	10.00	0.156	1.75	1.40
SNR6020L-150M-SRD	15.00	0.208	1.50	1.20
SNR6020L-220M-SRD	22.0	0.312	1.25	1.00
SNR6020L-330M-SRD	33.0	0.440	0.90	0.80
SNR6020L-470M-SRD	47.0	0.650	0.75	0.70
SNR6020L-680M-SRD	68.0	0.960	0.68	0.55
SNR6020L-101M-SRD	100.0	1.450	0.50	0.35
SNR6020L-221M-SRD	220.0	3.120	0.35	0.30
SNR6020L-331M-SRD	330.0	4.650	0.28	0.20
SNR6020L-102M-SRD	1000.0	14.35	0.18	0.10

● Test Frequency: 100KHz/0.25V

Note

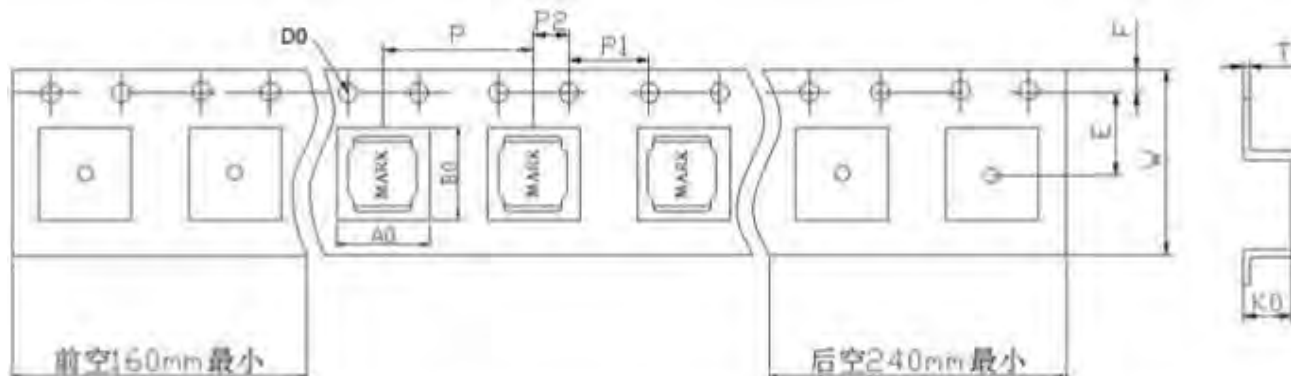
- 公差 Tolerance: N: ±30%、M: ±20%、K: ±10%.
- 工作溫度 Operating temperature rang: -40 °C to +125°C (Including Self-heating)
- 儲存溫度 Storage temperature rang: -40 °C to +125°C
- 額定電流: 指使電感量比初始值下降30%Max或電感器表面溫度上升 $\Delta T \leq 40^{\circ}\text{C}$ 的電流值 (參考周圍環境溫度 25°C)。The rated DC current is that which cause at 30%Max inductance reduction from the initial value or inductor surface temperature to rise by $\Delta T \leq 40^{\circ}\text{C}$, whichever is smaller (Reference ambient temperature 25°C)。



SMD Power Inductors-SNR6020 Series

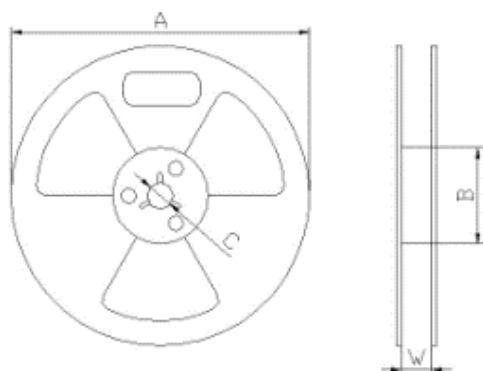
PACKAGING

载带包装示意图 Tape packing diagram



ITEM	W	A0	B0	K0	P	E	F	D0	P0	P2	T
DIM	12.00	6.30	6.30	2.20	8.00	7.50	1.75	1.50	4.00	2.00	0.35
TOLE	±0.3	±0.1	±0.1	±0.1	±0.1	±0.1	±0.1	+0.1	±0.1	±0.1	±0.05

卷盘包装示意图 Tape packing diagram



A	330±0.5
B	100±0.5
C	13.5±0.5
W	12.5±0.5

包装数量 Packing quantity

项目 (Project)	数量 (PCS)	尺寸规格 (Size:mm)
盘(Reel)	3000	13"
内盒 (Inner box)	12000	340mm*340mm*65mm
外箱 (Out box)	36000	360mm*360mm*225mm

SMD Power Inductors-SNR6028 Series

Electrical Characteristics

Part Number	Inductance	DC Resistance	Isat	Irms
	(uH)	(Ω) MAX	A	A
SNR6028L-1R0N-SRD	1.00	0.012	6.70	4.50
SNR6028L-1R5N-SRD	1.50	0.015	6.00	4.20
SNR6028L-2R2M-SRD	2.20	0.020	5.10	3.75
SNR6028L-3R3M-SRD	3.30	0.025	3.63	3.45
SNR6028L-4R7M-SRD	4.70	0.030	3.20	3.00
SNR6028L-5R6M-SRD	5.60	0.043	3.00	2.45
SNR6028L-6R8M-SRD	6.80	0.047	2.60	2.40
SNR6028L-8R2M-SRD	8.20	0.055	2.40	2.25
SNR6028L-100M-SRD	10.0	0.072	2.20	1.95
SNR6028L-120M-SRD	12.0	0.080	1.95	1.70
SNR6028L-150M-SRD	15.0	0.110	1.85	1.50
SNR6028L-220M-SRD	22.0	0.140	1.55	1.40
SNR6028L-330M-SRD	33.0	0.185	1.35	1.10
SNR6028L-470M-SRD	47.0	0.280	1.15	1.05
SNR6028L-560M-SRD	56.0	0.340	1.05	0.89
SNR6028L-680M-SRD	68.0	0.360	0.95	0.85
SNR6028L-820M-SRD	82.0	0.500	0.85	0.70
SNR6028L-101M-SRD	100.0	0.550	0.75	0.60
SNR6028L-681M-SRD	680.0	3.90	0.28	0.26
SNR6028L-102M-SRD	1000.0	5.70	0.20	0.23

● Test Frequency: 100KHz/0.25V

Note

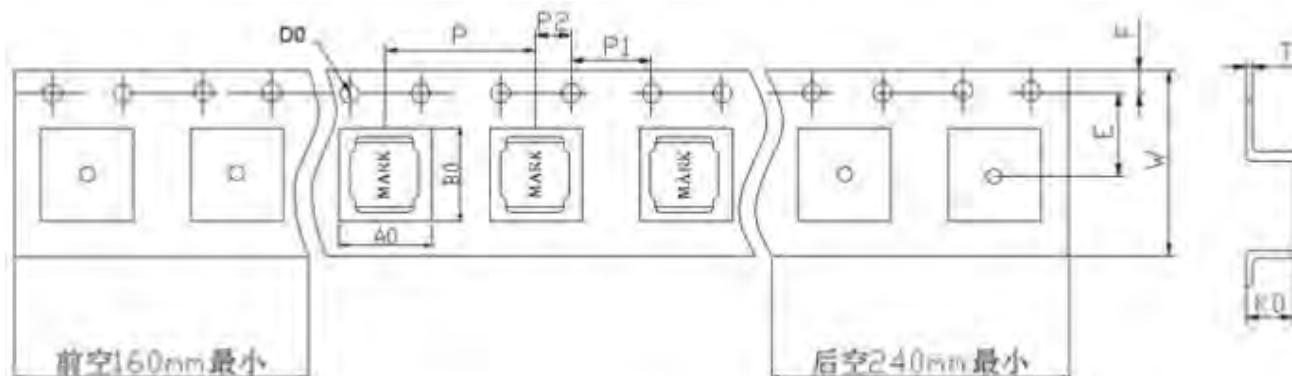
- 公差Tolerance: N: ±30%、M: ±20%、K: ±10%.
- 工作溫度Operating temperature rang: -40 °C to +125°C (Including Self-heating)
- 儲存溫度Storage temperature rang: -40 °C to +125°C
- 額定電流: 指使電感量比初始值下降30%Max或電感器表面溫度上升 $\Delta T \leq 40^\circ\text{C}$ 的電流值 (參考周圍環境溫度 25°C)。The rated DC current is that which cause at 30%Max inductance reduction from the initial value or inductor surface temperature to rise by $\Delta T \leq 40^\circ\text{C}$, whichever is smaller (Reference ambient temperature 25°C)。



SMD Power Inductors-SNR6028 Series

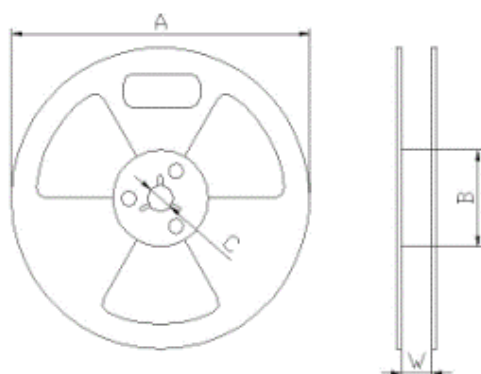
PACKAGING

载带包装示意图 Tape packing diagram



ITEM	W	A0	B0	K0	P	E	F	D0	P0	P2	T
DIM	12.00	6.30	6.30	3.00	8.00	7.50	1.75	1.50	4.00	2.00	0.35
TOLE	±0.3	±0.1	±0.1	±0.1	±0.1	±0.1	±0.1	+0.1	±0.1	±0.1	±0.05

卷盘包装示意图 Tape packing diagram



A	330±0.5
B	100±0.5
C	13.5±0.5
W	12.5±0.5

包装数量 Packing quantity

项目 (Project)	数量 (PCS)	尺寸规格 (Size:mm)
盘(Reel)	2000	13"
内盒 (Inner box)	8000	340mm*340mm*65mm
外箱 (Out box)	2400	360mm*360mm*225mm

SMD Power Inductors-SNR6045 Series

Electrical Characteristics

Part Number	Inductance	DC Resistance	Isat	Irms
	(uH)	(Ω) MAX	A	A
SNR6045L-R68N-SRD	0.68	0.011	9.50	5.70
SNR6045L-1R0N-SRD	1.00	0.014	9.00	5.10
SNR6045L-1R2N-SRD	1.20	0.014	8.35	4.90
SNR6045L-1R5N-SRD	1.50	0.016	7.50	4.75
SNR6045L-2R2N-SRD	2.20	0.022	6.50	4.10
SNR6045L-3R3N-SRD	3.30	0.026	5.30	3.20
SNR6045L-3R6N-SRD	3.60	0.027	5.00	3.10
SNR6045L-4R7N-SRD	4.70	0.034	4.50	3.00
SNR6045L-5R6N-SRD	5.60	0.040	3.70	2.80
SNR6045L-6R8M-SRD	6.80	0.043	3.30	2.70
SNR6045L-8R2M-SRD	8.20	0.055	3.10	2.60
SNR6045L-100M-SRD	10.0	0.067	3.00	2.50
SNR6045L-120M-SRD	12.0	0.075	2.80	2.20
SNR6045L-150M-SRD	15.0	0.100	2.50	1.90
SNR6045L-180M-SRD	18.0	0.122	2.20	1.65
SNR6045L-220M-SRD	22.0	0.149	2.00	1.50
SNR6045L-270M-SRD	27.0	0.165	1.90	1.45
SNR6045L-330M-SRD	33.0	0.195	1.65	1.40
SNR6045L-360M-SRD	36.0	0.225	1.62	1.30

● Test Frequency: 100KHz/0.25V

Note

- 公差Tolerance: N:±30%、M:±20%、K:±10%.
- 工作溫度Operating temperature rang: -40 °C to +125°C (Including Self-heating)
- 儲存溫度Storage temperature rang: -40 °C to +125°C
- 額定電流: 指使電感量比初始值下降30%Max或電感器表面溫度上升 $\Delta T \leq 40^{\circ}\text{C}$ 的電流值 (參考周圍環境溫度 25°C)。The rated DC current is that which cause at 30%Max inductance reduction from the initial value or inductor surface temperature to rise by $\Delta T \leq 40^{\circ}\text{C}$, whichever is smaller (Reference ambient temperature 25°C)。



SMD Power Inductors-SNR6045 Series

Electrical Characteristics

Part Number	Inductance	DC Resistance	Isat	Irms
	(uH)	(Ω) MAX	A	A
SNR6045L-470M-SRD	47.0	0.286	1.40	1.20
SNR6045L-560M-SRD	56.0	0.338	1.30	1.10
SNR6045L-680M-SRD	68.0	0.377	1.20	0.90
SNR6045L-820M-SRD	82.0	0.495	1.05	0.85
SNR6045L-101M-SRD	100.0	0.559	1.00	0.74
SNR6045L-121M-SRD	120.0	0.629	0.85	0.66
SNR6045L-151M-SRD	150.0	0.884	0.80	0.60
SNR6045L-181M-SRD	180.0	1.150	0.75	0.54
SNR6045L-221M-SRD	220.00	1.290	0.70	0.50
SNR6045L-271M-SRD	270.00	1.370	0.65	0.46
SNR6045L-301M-SRD	300.00	1.760	0.60	0.42
SNR6045L-331M-SRD	330.0	1.850	0.57	0.42
SNR6045L-471M-SRD	470.0	2.57	0.50	0.35
SNR6045L-561M-SRD	560.0	3.25	0.44	0.32
SNR6045L-681M-SRD	680.0	4.07	0.42	0.29
SNR6045L-801M-SRD	800.0	4.81	0.35	0.27
SNR6045L-102M-SRD	1000.0	5.90	0.32	0.25
SNR6045L-132M-SRD	1300.0	7.02	0.27	0.23
SNR6045L-152M-SRD	1500.0	8.45	0.24	0.20
SNR6045L-202M-SRD	2000.0	12.35	0.22	0.18
SNR6045L-222M-SRD	2200.0	12.48	0.20	0.16
SNR6045L-252M-SRD	2500.0	15.47	0.19	0.14
SNR6045L-302M-SRD	3000.0	19.50	0.18	0.13
SNR6045L-332M-SRD	3300.0	21.50	0.17	0.12
SNR6045L-472M-SRD	4700.0	27.30	0.15	0.10
SNR6045L-103M-SRD	10000.0	53.70	0.10	0.07

● Test Frequency: 100KHz/0.25V

Note

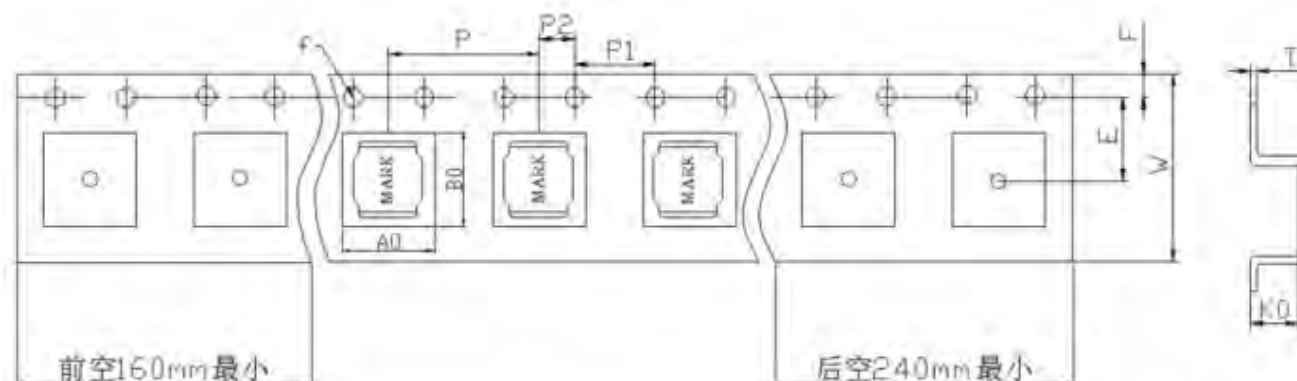
- 公差Tolerance: N: ±30%、M: ±20%、K: ±10%.
- 工作溫度Operating temperature rang: -40 °C to +125°C (Including Self-heating)
- 儲存溫度Storage temperature rang: -40 °C to +125°C
- 額定電流: 指使電感量比初始值下降30%Max或電感器表面溫度上升 $\Delta T \leq 40^\circ\text{C}$ 的電流值 (參考周圍環境溫度 25°C)。The rated DC current is that which cause at 30%Max inductance reduction from the initial value or inductor surface temperature to rise by $\Delta T \leq 40^\circ\text{C}$, whichever is smaller (Reference ambient temperature 25°C)。



SMD Power Inductors-SNR6045 Series

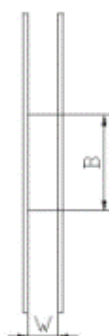
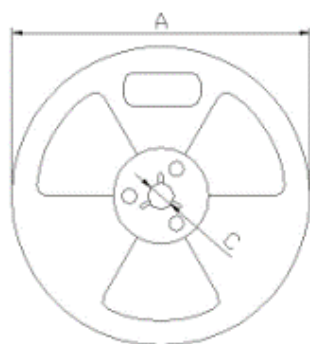
PACKAGING

载带包装示意图 Tape packing diagram



ITEM	W	A0	B0	K0	P	E	F	D0	P0	P2	T
DIM	12.00	6.30	6.30	4.70	8.00	7.50	1.75	1.50	4.00	2.00	0.35
TOLE	±0.3	±0.1	±0.1	±0.1	±0.1	±0.1	±0.1	+0.1	±0.1	±0.1	±0.05

卷盘包装示意图 Tape packing diagram



A	330±0.5
B	100±0.5
C	13.5±0.5
W	12.5±0.5

包装数量 Packing quantity

项目 (Project)	数量 (PCS)	尺寸规格 (Size:mm)
盘(Reel)	1500	13"
内盒 (Inner box)	6000	340mm*340mm*65mm
外箱 (Out box)	18000	360mm*360mm*225mm



SMD Power Inductors-SNR8040 Series

Electrical Characteristics

Part Number	Inductance	DC Resistance	Isat	Irms
	(uH)	(Ω) MAX	A	A
SNR8040L-1R0N-SRD	1.00	0.011	9.80	6.30
SNR8040L-1R5N-SRD	1.50	0.014	7.70	5.65
SNR8040L-2R2N-SRD	2.20	0.016	7.10	5.15
SNR8040L-3R3N-SRD	3.30	0.022	6.50	4.40
SNR8040L-4R7N-SRD	4.70	0.026	5.90	4.00
SNR8040L-5R6N-SRD	5.60	0.031	5.50	3.80
SNR8040L-6R8M-SRD	6.80	0.036	4.50	3.60
SNR8040L-8R2M-SRD	8.20	0.046	4.20	3.40
SNR8040L-100M-SRD	10.00	0.048	3.60	3.10
SNR8040L-120M-SRD	12.0	0.065	3.40	2.70
SNR8040L-150M-SRD	15.0	0.073	2.90	2.50
SNR8040L-180M-SRD	18.0	0.092	2.70	2.20
SNR8040L-220M-SRD	22.0	0.096	2.40	2.00
SNR8040L-330M-SRD	33.0	0.130	2.00	1.70
SNR8040L-470M-SRD	47.0	0.210	1.70	1.50
SNR8040L-680M-SRD	68.0	0.255	1.40	1.20
SNR8040L-820M-SRD	82.0	0.345	1.30	1.10
SNR8040L-101M-SRD	100.0	0.384	1.15	1.00
SNR8040L-121M-SRD	120.0	0.421	1.10	0.90
SNR8040L-151M-SRD	150.0	0.611	1.05	0.80
SNR8040L-181M-SRD	180.0	0.806	0.95	0.75
SNR8040L-221M-SRD	220.0	0.858	0.85	0.70
SNR8040L-331M-SRD	330.0	1.261	0.68	0.60
SNR8040L-471M-SRD	470.0	1.625	0.60	0.50
SNR8040L-681M-SRD	680.0	2.670	0.52	0.40
SNR8040L-102M-SRD	1000.0	3.800	0.40	0.30

● Test Frequency: 100KHz/0.25V

Note

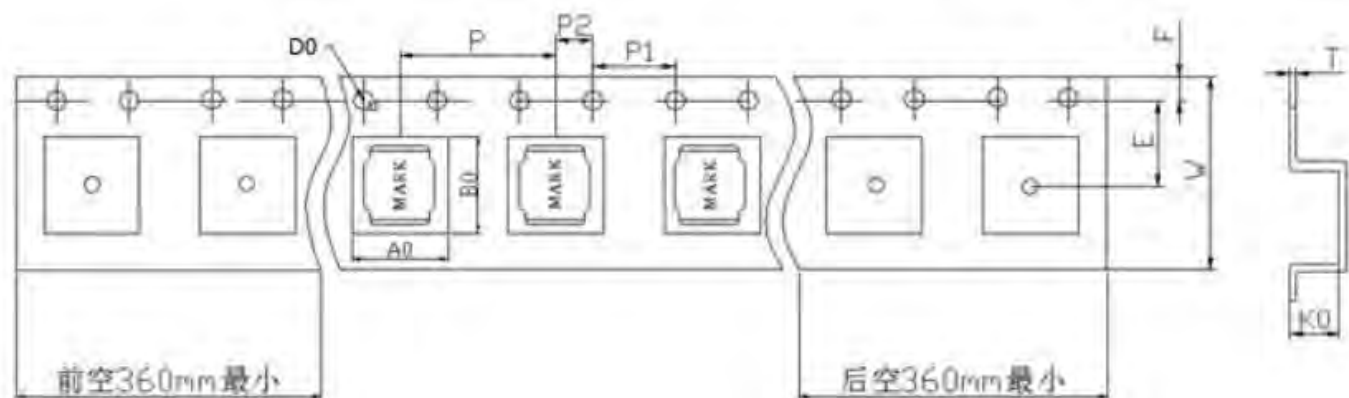
- 公差Tolerance: N: ±30%、M: ±20%、K: ±10%.
- 工作溫度Operating temperature rang: -40 °C to +125°C (Including Self-heating)
- 儲存溫度Storage temperature rang: -40 °C to +125°C
- 額定電流: 指使電感量比初始值下降30%Max或電感器表面溫度上升 $\Delta T \leq 40^\circ\text{C}$ 的電流值 (參考周圍環境溫度 25°C)。The rated DC current is that which cause at 30%Max inductance reduction from the initial value or inductor surface temperature to rise by $\Delta T \leq 40^\circ\text{C}$, whichever is smaller (Reference ambient temperature 25°C)。



SMD Power Inductors-SNR8040 Series

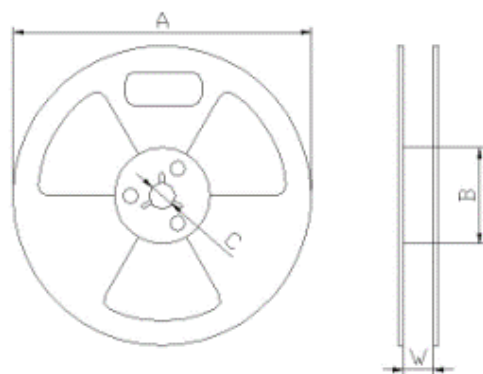
PACKAGING

载带包装示意图 Tape packing diagram



ITEM	W	A0	B0	K0	P	E	F	D0	P1	P2	T
DIM	16.00	8.40	8.40	4.50	12.00	7.50	1.75	1.50	4.00	2.00	0.40
TOLE	±0.3	±0.1	±0.1	±0.1	±0.1	±0.1	±0.1	+0.1	±0.1	±0.1	±0.05

卷盘包装示意图 Tape packing diagram



A	330±0.5
B	100±0.5
C	13.5±0.5
W	16.5±0.5

包装数量 Packing quantity

项目 (Project)	数量 (PCS)	尺寸规格 (Size:mm)
盘(Reel)	1000	13"
内盒 (Inner box)	3000	340mm*340mm*65mm
外箱 (Out box)	9000	360mm*360mm*225mm

SMD Power Inductors-SNR8060 Series

Electrical Characteristics

Part Number	Inductance	DC Resistance	Isat	Irms
	(uH)	(Ω) MAX	A	A
SNR8060L-2R2N-SRD	2.20	0.022	8.00	5.70
SNR8060L-3R3N-SRD	3.30	0.025	7.50	5.00
SNR8060L-4R7M-SRD	4.70	0.032	7.00	4.65
SNR8060L-6R8M-SRD	6.80	0.037	5.90	4.20
SNR8060L-100M-SRD	10.00	0.042	5.80	3.80
SNR8060L-150M-SRD	15.00	0.071	4.50	3.10
SNR8060L-220M-SRD	22.00	0.100	4.30	2.70
SNR8060L-330M-SRD	33.00	0.162	3.00	2.10
SNR8060L-470M-SRD	47.00	0.188	2.85	1.80
SNR8060L-680M-SRD	68.0	0.248	2.50	1.60
SNR8060L-101M-SRD	100.0	0.380	2.00	1.25
SNR8060L-221M-SRD	220.0	0.884	1.20	0.82
SNR8060L-331M-SRD	330.0	1.26	1.05	0.68
SNR8060L-471M-SRD	470.0	1.76	0.90	0.55
SNR8060L-681M-SRD	680.0	2.80	0.80	0.50
SNR8060L-821M-SRD	820.0	3.40	0.70	0.43
SNR8060L-102M-SRD	1000.0	3.87	0.60	0.37

● Test Frequency: 100KHz/0.25V

Note

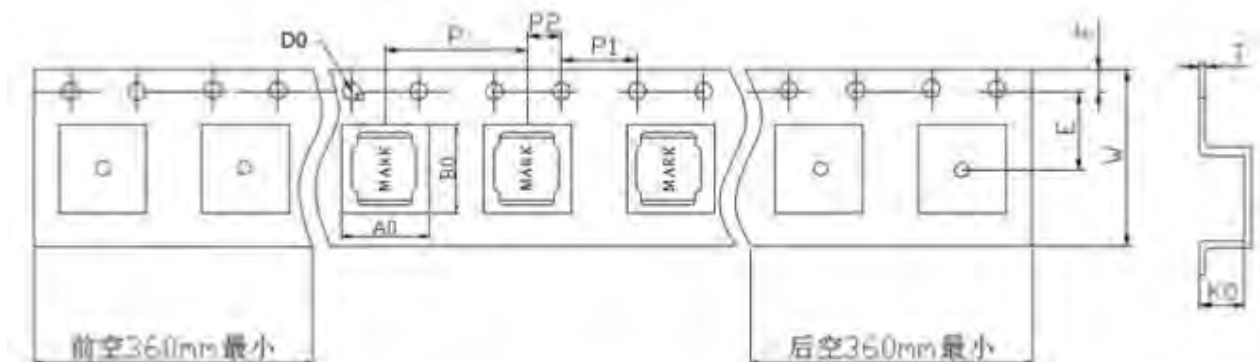
- 公差 Tolerance: N: ±30%、M: ±20%、K: ±10%.
- 工作溫度 Operating temperature rang: -40 °C to +125°C (Including Self-heating)
- 儲存溫度 Storage temperature rang: -40 °C to +125°C
- 額定電流: 指使電感量比初始值下降30%Max或電感器表面溫度上升 $\Delta T \leq 40^{\circ}\text{C}$ 的電流值 (參考周圍環境溫度 25°C)。The rated DC current is that which cause at 30%Max inductance reduction from the initial value or inductor surface temperature to rise by $\Delta T \leq 40^{\circ}\text{C}$, whichever is smaller (Reference ambient temperature 25°C)。



SMD Power Inductors-SNR8060 Series

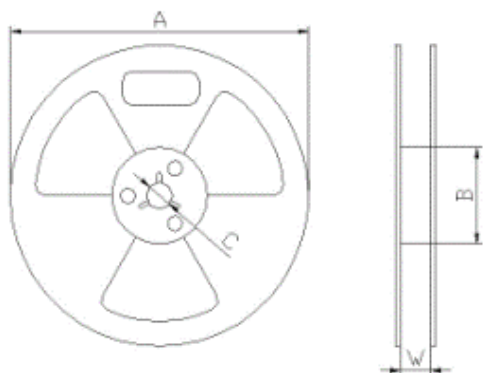
PACKAGING

载带包装示意图 Tape packing diagram



ITEM	W	A0	B0	K0	P	E	F	D0	P0	P2	T
DIM	16.00	8.40	8.40	6.20	12.00	7.50	1.75	1.50	4.00	2.00	0.35
TOLE	±0.3	±0.1	±0.1	±0.1	±0.1	±0.1	±0.1	±0.1	±0.1	±0.1	±0.05

卷盘包装示意图 Tape packing diagram



A	330±0.5
B	100±0.5
C	13.5±0.5
W	16.5±0.5

包装数量 Packing quantity

项目 (Project)	数量 (PCS)	尺寸规格 (Size:mm)
盘(Reel)	800	13"
内盒 (Inner box)	2400	340mm*340mm*65mm
外箱 (Out box)	7200	360mm*360mm*225mm