

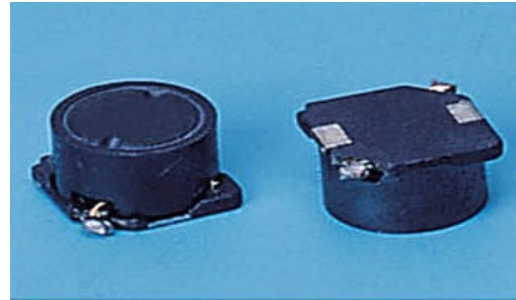


## SMD Power chokes- SCB-C Series

SCB-C series Shielded Inductors for low power loss Use

### Features

- 1.High saturation for surface mounting
- 2.Avaiable in magnetically shielded
- 3.Suitable for large currents.



### Applications

VRT, OA equipment, LCD television sets,  
Notebook computers, portable communications equipment,  
DC/DC converters, etc.

### Dimensions (mm)

### Product Identification

SCB 73C- 100 M -PF

SCB: SERIES NAME

73:Dimensions CODE

C:RI CORE TYPE

100: INDUCTANCE CODE.

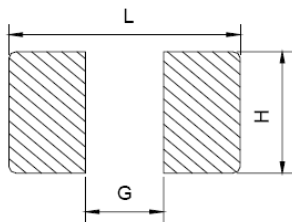
M: TOLERANCE, K=10% M=20%.

PF:Pb-Free



SERIES	A	B	C	D	E
SCB63C	6.3Max	6.3Max	3.3Max	1.8±0.3	3.0±0.5
SCB73C	7.4Max	7.4Max	3.5Max	2.0±0.3	5.0±0.5
SCB74C	7.4Max	7.4Max	4.5±0.3	2.0±0.3	5.0±0.5
SCB75C	7.4Max	7.4Max	5.5Max	2.0±0.3	5.0±0.5
SCB1045C	10.4Max	10.4Max	4.5±0.3	3.0±0.3	6.0±0.5
SCB1255C	12.8Max	12.8Max	5.5±0.3	3.0±0.3	8.5±0.5
SCB1275C	12.8Max	12.8Max	8.0Max	3.0±0.3	8.5±0.5

### RECOMMENDER P.C.B LAYOUT



SERIES	L	H	G
SCB63C	6.5	2.2	2.5
SCB73C	7.5	3.0	3.5
SCB74C	7.5	3.0	3.5
SCB75C	7.5	3.0	3.5
SCB1045C	10.5	3.2	5.5
SCB1255C	13.0	4.0	8.6
SCB1275C	13.0	4.0	8.6



SMD Power chokes- SCB-C Series

Electrical Characteristics

Part Number	Inductance (uH)	Test Frequency (KHz)	DC Resistance ( $\Omega$ Max)	Rated current (A)Max	Itemp (A)Max
SCB63C-2R2□-PF	2.2	1	0.039	1.60	3.80
SCB63C-3R3□-PF	3.3	1	0.049	1.40	3.00
SCB63C-4R7□-PF	4.7	1	0.063	1.15	2.70
SCB63C-6R8□-PF	6.8	1	0.075	0.90	2.40
SCB63C-100□-PF	10	1	0.094	0.80	2.00
SCB63C-120□-PF	12	1	0.115	0.60	1.80
SCB63C-150□-PF	15	1	0.135	0.59	1.60
SCB63C-180□-PF	18	1	0.152	0.57	1.45
SCB63C-220□-PF	22	1	0.191	0.53	1.30
SCB63C-270□-PF	27	1	0.214	0.44	1.20
SCB63C-330□-PF	33	1	0.259	0.42	1.10
SCB63C-390□-PF	39	1	0.299	0.33	1.00
SCB63C-470□-PF	47	1	0.356	0.32	0.95
SCB63C-560□-PF	56	1	0.401	0.30	0.90
SCB63C-680□-PF	68	1	0.473	0.27	0.80
SCB63C-820□-PF	82	1	0.572	0.25	0.70
SCB63C-101□-PF	100	1	0.67	0.24	0.60
SCB63C-121□-PF	120	1	0.86	0.23	0.56
SCB63C-151□-PF	150	1	0.99	0.20	0.50

Note:

- (1). All test data is referenced to 25°C ambient.
- (2). Operating Temperature Range-55°C to +105°C.
- (3). DC current(A)that will cause an approximate $\Delta T$  of 40°C.
- (4). DC current(A)that will cause Lo to drop approximately 10%.
- (5). □Tolerance of inductance $\pm 10\%$ (K)  $\pm 20\%$ (M)  $\pm 30\%$ (N)



## SMD Power chokes- SCB-C Series

### Electrical Characteristics

Part Number	Inductance (uH)	Test Frequency (KHz)	DC Resistance ( $\Omega$ Max)	Rated current (A)Max	Itemp (A)Max
SCB73C-1R0□-PF	1	1	19.00m	3.12	6.60
SCB73C1R5□-PF	1.5	1	23.00m	2.85	5.90
SCB73C-2R2□-PF	2.2	1	28.00m	2.66	5.30
SCB73C-3R3□-PF	3.3	1	35.00m	2.26	4.50
SCB73C-4R7□-PF	4.7	1	43.00m	1.96	3.50
SCB73C-6R8□-PF	6.8	1	55.00m	1.76	3.15
SCB73C-100□-PF	10	1	80.00m	1.34	2.50
SCB73C-120□-PF	12	1	90.00m	1.23	2.25
SCB73C-150□-PF	15	1	0.12	1.09	2.15
SCB73C-180□-PF	18	1	0.13	0.99	1.80
SCB73C-220□-PF	22	1	0.15	0.90	1.60
SCB73C-270□-PF	27	1	0.21	0.81	1.40
SCB73C-330□-PF	33	1	0.25	0.72	1.30
SCB73C-390□-PF	39	1	0.31	0.67	1.24
SCB73C-470□-PF	47	1	0.35	0.60	1.11
SCB73C-560□-PF	56	1	0.43	0.55	0.94
SCB73C-680□-PF	68	1	0.52	0.50	0.89
SCB73C-820□-PF	82	1	0.6	0.46	0.84
SCB73C-101□-PF	100	1	0.79	0.41	0.80

Note:

- (1). All test data is referenced to 25°C ambient.
- (2). Operating Temperature Range-55°C to +105°C.
- (3). DC current(A)that will cause an approximate  $\Delta T$  of 40°C.
- (4). DC current(A)that will cause  $L_o$  to drop approximately 10%.
- (5). □Tolerance of inductance  $\pm 10\%$ (K)  $\pm 20\%$ (M)  $\pm 30\%$ (N)



## SMD Power chokes- SCB-C Series

### Electrical Characteristics

Part Number	Inductance (uH)	Test Frequency (KHz)	DC Resistance ( $\Omega$ Max)	Rated current (A)Max	Itemp (A)Max
SCB74C-3R3M-PF	3.3	1	0.02	2.5	2.3
SCB74C-4R7M-PF	4.7	1	0.03	2	2.1
SCB74C-6R8M-PF	6.8	1	0.039	1.7	1.74
SCB74C-100M-PF	10	1	0.036	1.3	1.78
SCB74C-150M-PF	15	1	0.052	1.1	1.53
SCB74C-220M-PF	22	1	0.061	0.9	1.34
SCB74C-330M-PF	33	1	0.096	0.82	1.09
SCB74C-470M-PF	47	1	0.125	0.75	0.92
SCB74C-680M-PF	68	1	0.175	0.6	0.77
SCB74C-101M-PF	100	1	0.25	0.5	0.65
SCB74C-151M-PF	150	1	0.34	0.4	0.55
SCB74C-221M-PF	220	1	0.52	0.33	0.45
SCB74C-331M-PF	330	1	0.74	0.25	0.37
SCB74C-471M-PF	470	1	1.05	0.22	0.31
SCB74C-681M-PF	680	1	1.48	0.2	0.27
SCB74C-102M-PF	1000	1	2.28	0.14	0.25

Note:

- (1). All test data is referenced to 25°C ambient.
- (2). Operating Temperature Range-55°C to +105°C.
- (3). DC current(A)that will cause an approximate $\Delta T$  of 40°C.
- (4). DC current(A)that will cause Lo to drop approximately 10%.



## SMD Power chokes- SCB-C Series

### Electrical Characteristics

Part Number	Inductance (uH)	Test Frequency (KHz)	DC Resistance (Ω Max)	Rated current (A)Max	Itemp (A)Max
SCB75C-1R0□-PF	1.0	1	23.00m	2.88	6.50
SCB75C-1R5□-PF	1.5	1	27.00m	2.61	6.30
SCB75C-2R2□-PF	2.2	1	30.00m	2.46	4.80
SCB75C-3R3□-PF	3.3	1	35.00m	2.28	3.80
SCB75C-4R7□-PF	4.7	1	41.00m	2.08	3.40
SCB75C-6R8□-PF	6.8	1	47.00m	1.94	3.00
SCB75C-100□-PF	10	1	50.00m	1.68	2.60
SCB75C-120□-PF	12	1	70.00m	1.54	2.34
SCB75C-150□-PF	15	1	80.00m	1.39	2.10
SCB75C-180□-PF	18	1	90.00m	1.26	1.89
SCB75C-220□-PF	22	1	0.11	1.13	1.70
SCB75C-270□-PF	27	1	0.15	1.02	1.62
SCB75C-330□-PF	33	1	0.17	0.84	1.52
SCB75C-390□-PF	39	1	0.18	0.80	1.36
SCB75C-470□-PF	47	1	0.2	0.76	1.27
SCB75C-560□-PF	56	1	0.28	0.64	1.20
SCB75C-680□-PF	68	1	0.32	0.60	1.14
SCB75C-820□-PF	82	1	0.35	0.57	1.08
SCB75C-101□-PF	100	1	0.4	0.50	0.96
SCB75C-121□-PF	120	1	0.44	0.47	0.91
SCB75C-151□-PF	150	1	0.73	0.40	0.81
SCB75C-181□-PF	180	1	0.78	0.39	0.72
SCB75C-221□-PF	220	1	0.94	0.33	0.64
SCB75C-271□-PF	270	1	1.25	0.31	0.58
SCB75C-331□-PF	330	1	1.4	0.27	0.49
SCB75C-391□-PF	390	1	1.52	0.27	0.44
SCB75C-471□-PF	470	1	1.7	0.25	0.42
SCB75C-561□-PF	560	1	2.39	0.22	0.40

Note:

- (1). All test data is referenced to 25°C ambient.
- (2). Operating Temperature Range-55°C to +105°C.
- (3). DC current(A)that will cause an approximate $\Delta T$  of 40°C.
- (4). DC current(A)that will cause Lo to drop approximately 10%.
- (5). □Tolerance of inductance $\pm 10\%$ (K)  $\pm 20\%$ (M)  $\pm 30\%$ (N)



## SMD Power chokes- SCB-C Series

### Electrical Characteristics

Part Number	Inductance (uH)	Test Frequency (KHz)	DC Resistance ( $\Omega$ Max)	Rated current (A)Max	Itemp (A)Max
SCB1045C-100□-PF	10	1	0.044	3.00	3.50
SCB1045C-150□-PF	15	1	0.057	2.40	2.50
SCB1045C-220□-PF	22	1	0.071	2.10	1.90
SCB1045C-330□-PF	33	1	0.098	1.60	1.70
SCB1045C-470□-PF	47	1	0.12	1.40	1.50
SCB1045C-680□-PF	68	1	0.17	1.20	1.30
SCB1045C-101□-PF	100	1	0.24	1.00	1.10
SCB1045C-151□-PF	150	1	0.42	0.79	0.81
SCB1045C-221□-PF	220	1	0.56	0.65	0.70
SCB1045C-331□-PF	330	1	0.82	0.54	0.58
SCB1045C-471□-PF	470	1	1.24	0.47	0.47
SCB1045C-681□-PF	680	1	1.92	0.38	0.38
SCB1045C-102□-PF	1000	1	3.36	0.32	0.29
SCB1045C-152□-PF	1500	1	4.10	0.22	0.26

Note:

- (1). All test data is referenced to 25°C ambient.
- (2). Operating Temperature Range-55°C to +105°C.
- (3). DC current(A)that will cause an approximate $\Delta$ T of 40°C.
- (4). DC current(A)that will cause Lo to drop approximately 10%.



## SMD Power chokes- SCB-C Series

### Electrical Characteristics

Part Number	Inductance (uH)	Test Frequency (KHz)	DC Resistance ( $\Omega$ Max)	Rated current (A)Max	Itemp (A)Max
SCB1255C-6R0□-PF	6	1	0.0164	3.6	4.9
SCB1255C-100□-PF	10	1	0.0215	3.4	4.3
SCB1255C-150□-PF	15	1	0.0259	2.8	3.9
SCB1255C-220□-PF	22	1	0.0338	2.3	3.4
SCB1255C-330□-PF	33	1	0.0415	1.9	3.1
SCB1255C-470□-PF	47	1	0.0618	1.6	2.5
SCB1255C-680□-PF	68	1	0.0832	1.3	2.2
SCB1255C-101□-PF	100	1	0.117	1.1	1.8
SCB1255C-151□-PF	150	1	0.19	0.88	1.4
SCB1255C-221□-PF	220	1	0.27	0.72	1.2
SCB1255C-331□-PF	330	1	0.41	0.59	1
SCB1255C-471□-PF	470	1	0.52	0.49	0.88
SCB1255C-681□-PF	680	1	0.76	0.43	0.73
SCB1255C-102□-PF	1000	1	1.12	0.34	0.6
SCB1255C-152□-PF	1500	1	1.73	0.29	0.48

Note:

- (1). All test data is referenced to 25°C ambient.
- (2). Operating Temperature Range-55°C to +105°C.
- (3). DC current(A)that will cause an approximate $\Delta T$  of 40°C.
- (4). DC current(A)that will cause  $L_o$  to drop approximately 10%.
- (5). □Tolerance of inductance $\pm 10\%$ (K)  $\pm 20\%$ (M)  $\pm 30\%$ (N)





## SMD Power chokes- SCB-C Series

### Electrical Characteristics

Part Number	Inductance (uH)	Test Frequency (KHz)	DC Resistance ( $\Omega$ Max)	Rated current (A)Max	Itemp (A)Max
SCB1275C-1R2□-PF	1.2	1	0.0069	13.0	8.2
SCB1275C-2R7□-PF	2.7	1	0.0094	10.0	7.0
SCB1275C-3R9□-PF	3.9	1	0.0104	9.0	6.7
SCB1275C-5R6□-PF	5.6	1	0.0116	7.8	6.3
SCB1275C-6R8□-PF	6.8	1	0.0131	7.2	5.9
SCB1275C-100□-PF	10	1	0.0156	5.5	5.4
SCB1275C-150□-PF	15	1	0.0184	4.7	5.0
SCB1275C-220□-PF	22	1	0.0263	4.0	4.0
SCB1275C-330□-PF	33	1	0.0395	3.2	3.4
SCB1275C-470□-PF	47	1	0.0528	2.7	3.0
SCB1275C-680□-PF	68	1	0.0778	2.0	2.4
SCB1275C-101□-PF	100	1	0.125	1.9	1.9
SCB1275C-151□-PF	150	1	0.175	1.5	1.6
SCB1275C-221□-PF	220	1	0.258	1.3	1.3
SLF1045T-152□-PF	1500	1	1.73	0.3	0.5

Note:

- (1). All test data is referenced to 25°C ambient.
- (2). Operating Temperature Range-55°C to +105°C.
- (3). DC current(A)that will cause an approximate $\Delta T$  of 40°C.
- (4). DC current(A)that will cause  $L_o$  to drop approximately 10%.
- (5). □Tolerance of inductance $\pm 10\%$ (K)  $\pm 20\%$ (M)  $\pm 30\%$ (N)

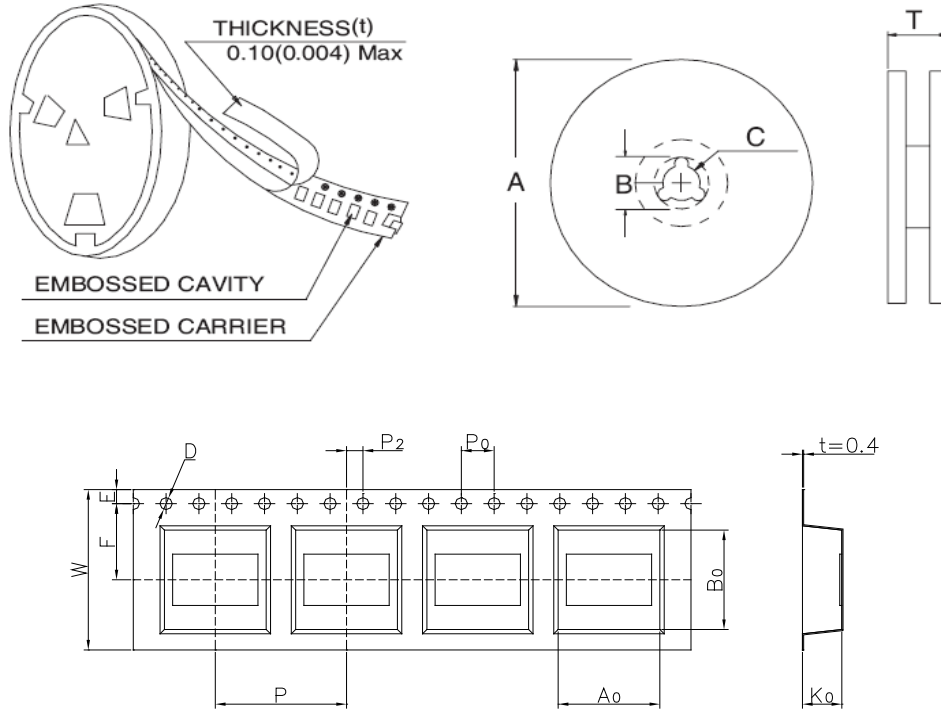




## SMD Power chokes- SCB-C Series

### PACKAGING

#### 1. Configuration.



#### 2. Dimension in mm

TYPE	A	B	C	T
12mm	330	100	21±0.8	16.4
16mm	330	100	21±0.8	20.4
24mm	330	100	21±0.8	28.4
32mm	330	100	21±0.8	36.4

SERIES	Ao(mm)	Bo(mm)	Ko(mm)	W(mm)	P(mm)	PCS/REEL
SCB63C	6.4±0.1	6.4±0.1	3.5±0.1	16±0.3	12±0.1	1000
SCB73C	7.5±0.1	7.5±0.1	3.7±0.1	16±0.3	12±0.1	1000
SCB75C	7.5±0.1	7.5±0.1	5.0±0.1	16±0.3	12±0.1	1000
SCB75C	7.5±0.1	7.5±0.1	5.5±0.1	16±0.3	12±0.1	1000
SCB1045C	10.5±0.1	10.5±0.1	5.5±0.1	24±0.3	16±0.1	500
SCB1255C	13.1±0.1	13.1±0.1	6.5±0.1	24±0.3	16±0.1	500
SCB1275C	13.1±0.1	13.1±0.1	8.5±0.1	24±0.3	16±0.1	500