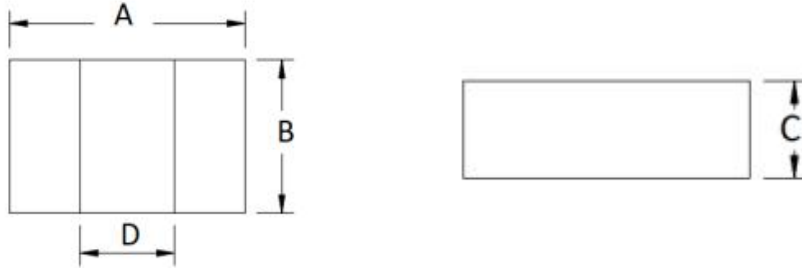




Molded Power Inductor: SPD201608T Series

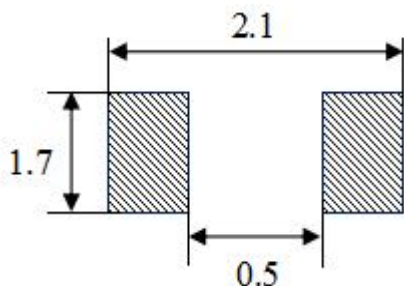


Series	A (mm)		B (mm)		C (mm)		D (mm)	
SPD201608T	2.0±0.2		1.6±0.2		0.8 Max.		0.6Typ.	
Part Number	Inductance		Rdc (mΩ)		Saturation Current		Heat Rating Current	
					Isat (Amps.)		Idc (Amps.)	
	L ₀ (μH)	Tolerance	Typ.	Max.	Typ.	Max.	Typ.	Max.
SPD201608T-R47-CTBP	0.47	±20%	24	27	4.7	4.4	4.5	4.3
SPD201608T-1R0-CTBP	1	±20%	41	52	4.4	4.1	3.8	3.6
SPD201608T-2R2-CTBP	2.2	±20%	84	100	2.9	2.7	2.4	2.1

NOTES:

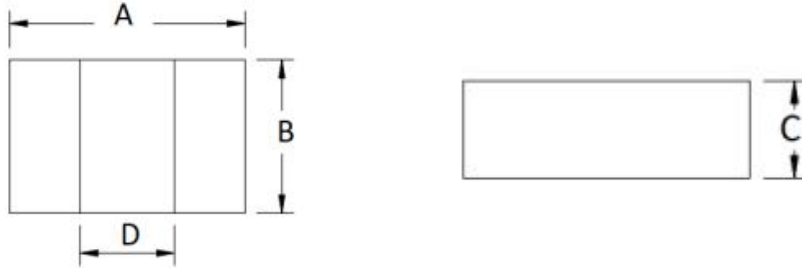
- All test data is referenced to 23±3 °C and 45%RH to 70%RH ambient.
- Test Instruments: 1MHz,1V.
- Operating temperature range - 55 °C to + 125 °C (ambient + self-temp. rise) .
- Isat: DC current (A) that will cause L₀ to drop approximately 30 %.
- Idc: DC current (A) that will cause an approximate ΔT of 40 °C.
- The part temperature (ambient + temp. rise) should not exceed 125 °C under worst case operating conditions. Circuit design, component placement, PWB trace size and thickness, airflow and other cooling provisions all affect the part temperature. Part temperature should be verified in the end application.
- The rated current as listed is either the saturation current or the heat rating current depending on which value is lower.

Recommend Land Pattern Dimensions (推荐焊盘)





Molded Power Inductor: SPD201610T Series

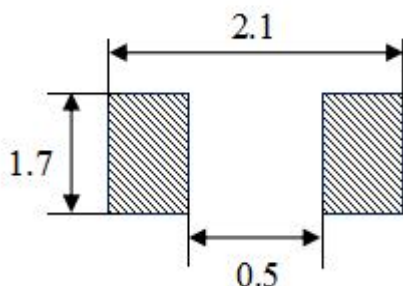


Series	A (mm)		B (mm)		C (mm)		D (mm)	
SPD201610T	2.0 ± 0.2		1.6 ± 0.2		1.0 Max.		0.6 Typ.	
Part Number	Inductance		Rdc (mΩ)		Saturation Current		Heat Rating Current	
					Isat (Amps.)		Idc (Amps.)	
	L ₀ (μH)	Tolerance	Typ.	Max.	Typ.	Max.	Typ.	Max.
SPD201610T-R24M-CTBP	0.24	±20%	16	20	7.7	6.7	6.5	5.5
SPD201610T-R47M-CTBP	0.47	±20%	26	32	6	5.3	5.3	4.7
SPD201610T-1R0M-CTBP	1	±20%	48	59	4.4	3.8	3.6	3.2
SPD201610T-2R2M-CTBP	2.2	±20%	115	138	2.65	2.45	2.3	2

NOTES:

- All test data is referenced to 23±3 °C and 45%RH to 70%RH ambient.
- Test Instruments: 1MHz, 1V.
- Operating temperature range - 55 °C to + 125 °C (ambient + self-temp. rise) .
- Isat: DC current (A) that will cause L₀ to drop approximately 30 %.
- Idc: DC current (A) that will cause an approximate ΔT of 40 °C.
- The part temperature (ambient + temp. rise) should not exceed 125 °C under worst case operating conditions. Circuit design, component placement, PWB trace size and thickness, airflow and other cooling provisions all affect the part temperature. Part temperature should be verified in the end application.
- The rated current as listed is either the saturation current or the heat rating current depending on which value is lower.

Recommend Land Pattern Dimensions (推荐焊盘)





Molded Power Inductor: SPD252012T Series

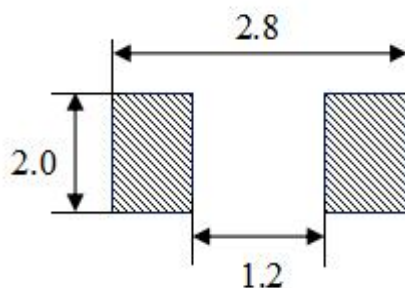


Series	A (mm)		B (mm)		C (mm)		D (mm)	
SPD252012T	2.5 ± 0.2		2.0 ± 0.2		1.2 Max.		0.6 ± 0.3	
Part Number	Inductance		Rdc (mΩ)		Saturation Current		Heat Rating Current	
					Isat (Amps.)		Idc (Amps.)	
	L ₀ (μH)	Tolerance	Typ.	Max.	Typ.	Max.	Typ.	Max.
SPD252012T-R68M-CTBP	0.68	±20%	24	28	6.3	6	5.5	5
SPD252012T-1R0M-CTBP	1	±20%	33	39.6	5.5	4.5	4.4	4
SPD252012T-1R5M-CTBP	1.5	±20%	48	56	4	3.8	3.5	3.2
SPD252012T-2R2M-CTBP	2.2	±20%	64	79	3.8	3.3	3.2	2.8
SPD252012T-3R3M-CTBP	3.3	±20%	103	125	2.8	2.5	2.1	1.8
SPD252012T-4R7M-CTBP	4.7	±20%	145	180	2.4	2.1	1.8	1.5
SPD252012T-6R8M-CTBP	6.8	±20%	225	265	2.2	1.9	1.5	1.3

NOTES:

1. All test data is referenced to 23±3 °C and 45%RH to 70%RH ambient.
2. Test Instruments: 1MHz, 1V.
3. Operating temperature range - 55 °C to + 125 °C (ambient + self-temp. rise) .
4. Isat: DC current (A) that will cause L₀ to drop approximately 30 %.
5. Idc: DC current (A) that will cause an approximate ΔT of 40 °C.
6. The part temperature (ambient + temp. rise) should not exceed 125 °C under worst case operating conditions. Circuit design, component placement, PWB trace size and thickness, airflow and other cooling provisions all affect the part temperature. Part temperature should be verified in the end application.
7. The rated current as listed is either the saturation current or the heat rating current depending on which value is lower.

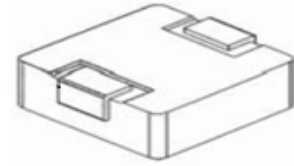
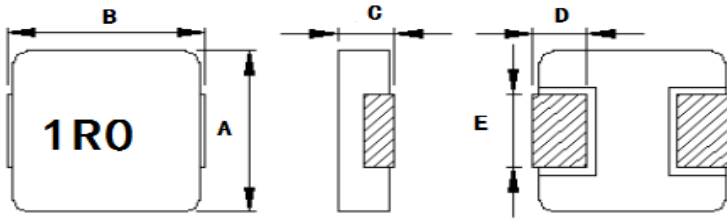
Recommend Land Pattern Dimensions (推荐焊盘)





SMD POWER INDUCTORS:

SPD0420T Series



Series	A (mm)	B (mm)	C (mm)	D (mm)	E (mm)
SPD0420T	4.06 ± 0.30	4.49 ± 0.40	2.0MAX	1.1 ± 0.3	1.5 ± 0.3

Part Number	L0 Inductance (μH) ±20%	Heat Rating Current Irms (A)	Saturation Current Isat (A)	DCR (mΩ)	
				TYP.	MAX.
SPD0420T-R10N-CT□	0.1 ± 30%	14.0	35.0	3.8	4.5
SPD0420T-R22M-CT□	0.22	13.0	24.0	5.0	7.0
SPD0420T-R33M-CT□	0.33	10.0	18.0	8.2	10.5
SPD0420T-R47M-CT□	0.47	8.0	12.0	11.0	14.0
SPD0420T-R56M-CT□	0.56	7.0	10.0	14.0	18.0
SPD0420T-R68M-CT□	0.68	7.0	10.0	15.0	20.0
SPD0420T-1R0M-CT□	1	5.0	8.5	22.0	27.0
SPD0420T-1R5M-CT□	1.5	4.5	7.0	30.0	33.0
SPD0420T-2R2M-CT□	2.2	4.0	7.0	45.0	58.0
SPD0420T-3R3M-CT□	3.3	3.5	4.0	78.0	87.0
SPD0420T-4R7M-CT□	4.7	2.2	4.0	105.0	140.0
SPD0420T-6R8M-CT□	6.8	2.1	3.0	120.0	175.0
SPD0420T-8R2M-CT□	8.2	1.8	2.5	170.0	200.0
SPD0420T-100M-CT□	10	1.6	2.0	170.0	200.0

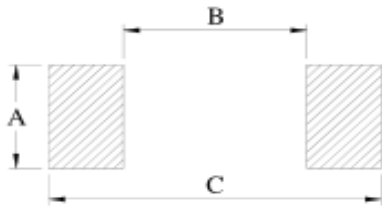
NOTES:

1. All test data is referenced to 25°C ambient
 2. Operating Temperature Range -55°C to +125°C
 3. Irms : DC current (A) that will cause an approximate ΔT of 40°C
 4. Isat : DC current (A) that will cause Lo to drop approximately 30%
 5. Test Frequency: 100KHZ,1.0V
-

SMD POWER INDUCTORS:

SPD0420T Series

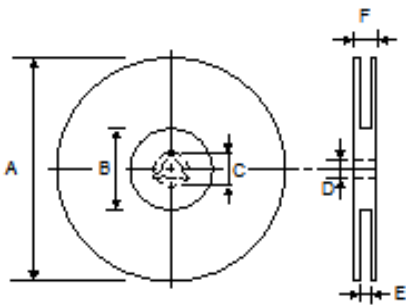
Recommend Land Pattern Dimensions (推荐焊盘)



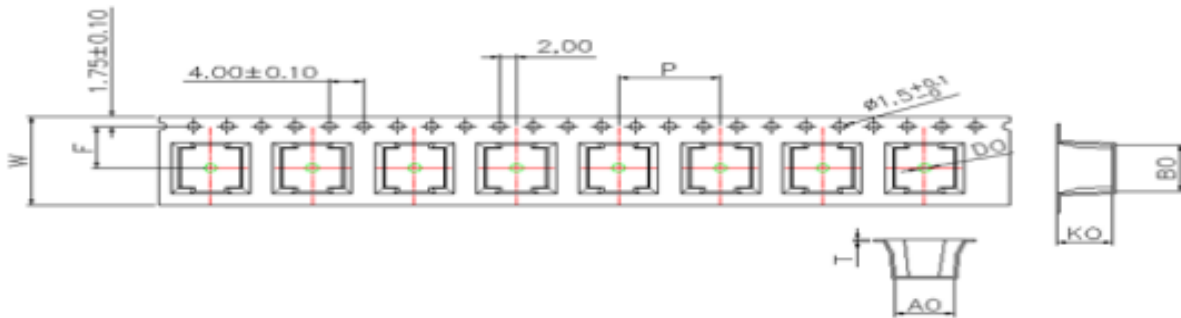
A	2.30
B	2.20
C	5.20

Unit : mm

Packaging Information (包装信息)



TYPE	A	B	C	D	E	F
12mm	330	100	21.0±0.8	13 ^{+0.5} / _{-0.2}	12.0±0.3	18.4



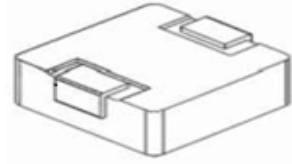
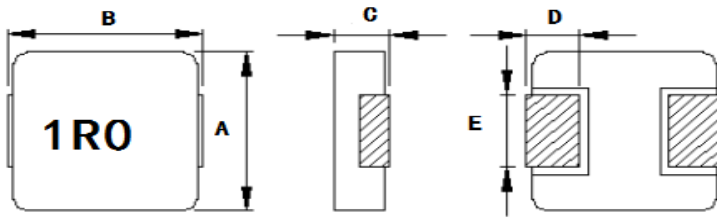
QTY (PCS)	A0	B0	KO	W	P	T
3000	4.4±0.1	5.2±0.1	2.2±0.1	12.0±0.3	8.0±0.1	0.30±0.05

- ①一卷包装:3000Pcs.
- ②小箱装两卷:一共6000Pcs.
- ③大箱装三小箱:一共18000Pcs.



SMD POWER INDUCTORS:

SPD0518T Series



Series	A (mm)	B (mm)	C (mm)	D (mm)	E (mm)
SPD0518T	5.3MAX	5.6±0.3	1.8MAX	1.2±0.3	2.0±0.3

Part Number	L0 Inductance (μH) ±20%	Heat Rating Current Irms (A)	Saturation Current Isat (A)	DCR (mΩ)	
				TYP.	MAX.
SPD0518T-R20N-CT□	0.20±30%	14.0	25.0	3.6	4.1
SPD0518T-R20M-CT□	0.2	14.0	25.0	3.6	4.1
SPD0518T-R22M-CT□	0.22	13.0	22.0	4.2	5.0
SPD0518T-R33M-CT□	0.33	11.0	15.0	7.5	8.6
SPD0518T-R47M-CT□	0.47	10.0	14.0	9.8	11.3
SPD0518T-R56M-CT□	0.56	9.5	13.5	11.0	13.0
SPD0518T-R68M-CT□	0.68	9.0	13.0	12.4	14.3
SPD0518T-1R0M-CT□	1	6.8	10.0	18.2	21.0
SPD0518T-1R5M-CT□	1.5	6.0	9.0	26.0	30.0
SPD0518T-2R2M-CT□	2.2	4.5	7.5	42.0	48.3
SPD0518T-3R3M-CT□	3.3	3.5	5.0	60.0	69.0
SPD0518T-4R7M-CT□	4.7	3.0	4.5	85.0	98.0
SPD0518T-5R6M-CT□	5.6	2.5	4.0	110.0	127.0
SPD0518T-6R8M-CT□	6.8	2.4	3.5	118.0	137.0
SPD0518T-8R2M-CT□	8.2	2.3	3.0	143.0	165.0
SPD0518T-100M-CT□	10	2.3	2.8	165.0	190.0
SPD0518T-150M-CT□	15	1.7	2.3	275.0	318.0

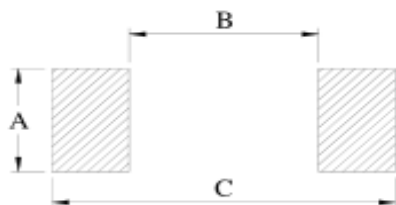
NOTES:

1. All test data is referenced to 25°C ambient
 2. Operating Temperature Range -55°C to +125°C
 3. Irms : DC current (A) that will cause an approximate ΔT of 40°C
 4. Isat : DC current (A) that will cause Lo to drop approximately 30%
 5. Test Frequency: 100KHZ,1.0V
-

SMD POWER INDUCTORS:

SPD0518T Series

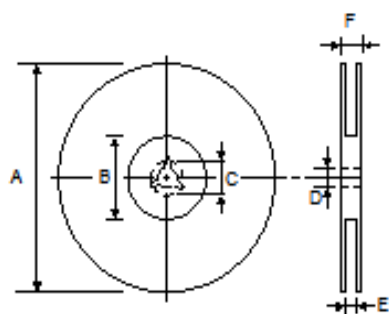
Recommend Land Pattern Dimensions (推荐焊盘)



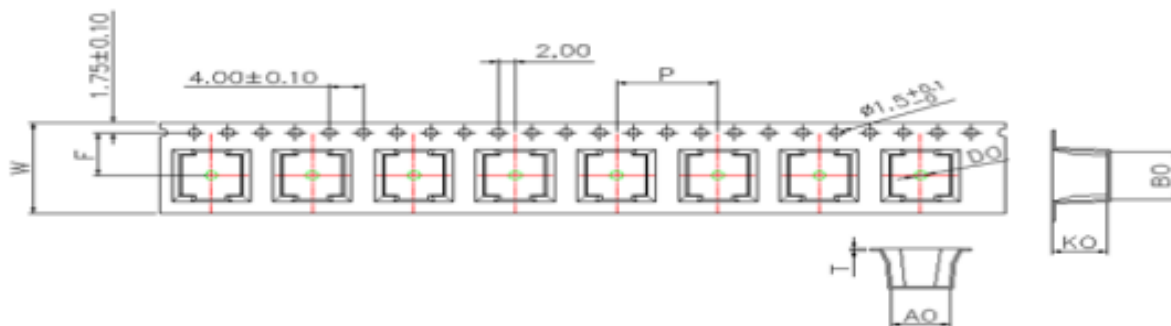
A	2.50
B	3.00
C	7.00

Unit : mm

Packaging Information (包装信息)



TYPE	A	B	C	D	E	F
12mm	330	100	21.0±0.8	13 ^{+0.5} / _{-0.2}	12.0±0.3	18.4



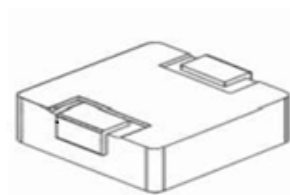
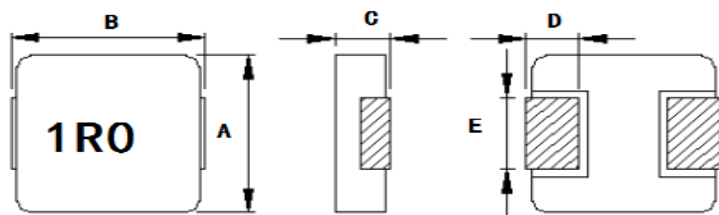
QTY (PCS)	A0	B0	KO	W	P	T
2500/3000	5.4±0.1	6.0±0.1	2.2±0.1	12.0±0.3	8.0±0.1	0.30±0.05

- ① 一卷包装: 2500Pcs / 3000Pcs;
- ② 小箱装两卷: 一共5000Pcs / 6000Pcs;
- ③ 大箱装三小箱: 一共15000Pcs / 18000pcs.



SMD POWER INDUCTORS:

SPD0520T Series



Series	A (mm)	B (mm)	C (mm)	D (mm)	E (mm)
CET0520T	5.3MAX	5.6±0.3	2.0MAX	1.2±0.3	2.0±0.3

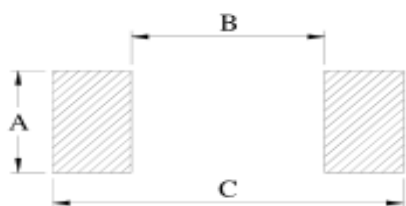
Part Number	L0 Inductance (μH) ±20%	Heat Rating Current Irms (A)	Saturation Current Isat (A)	DCR (mΩ)	
				TYP.	MAX.
SPD0520T-R10N-CT□	0.10±30%	18.0	45.0	3.6	4.0
SPD0520T-R15N-CT□	0.15±30%	16.0	27.0	3.8	4.6
SPD0520T-R22M-CT□	0.22	15.0	25.0	4.0	5.5
SPD0520T-R24M-CT□	0.24	13.0	23.0	6.0	7.0
SPD0520T-R33M-CT□	0.33	12.0	21.3	6.3	7.3
SPD0520T-R36M-CT□	0.36	11.8	20.0	6.8	7.8
SPD0520T-R47M-CT□	0.47	11.5	18.0	7.3	8.6
SPD0520T-R56M-CT□	0.56	10.7	15.0	9.3	11.2
SPD0520T-R68M-CT□	0.68	10.0	12.8	11.0	12.4
SPD0520T-1R0M-CT□	1	7.0	13.7	17.5	20.0
SPD0520T-1R2M-CT□	1.2	6.2	11.0	23.0	28.0
SPD0520T-1R5M-CT□	1.5	5.5	9.8	26.5	30.5
SPD0520T-2R2M-CT□	2.2	4.2	9.0	42.0	50.0
SPD0520T-3R3M-CT□	3.3	3.3	7.3	66.0	76.0
SPD0520T-4R7M-CT□	4.7	2.8	5.0	103.0	116.0
SPD0520T-5R6M-CT□	5.6	2.5	4.0	112.0	122.0
SPD0520T-6R8M-CT□	6.8	2.4	3.8	130.0	150.0

SPD0520T-8R2M-CT□	8.2	2.3	3.5	148.0	171.0
SPD0520T-100M-CT□	10	2.3	3.4	180.0	199.0

NOTES:

1. All test data is referenced to 25°C ambient
 2. Operating Temperature Range -55°C to +125°C
 3. Irms : DC current (A) that will cause an approximate ΔT of 40°C
 4. Isat : DC current (A) that will cause Lo to drop approximately 30%
 5. Test Frequency: 100KHZ,1.0V
-

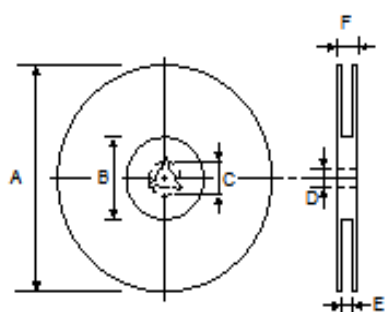
Recommend Land Pattern Dimensions (推荐焊盘)



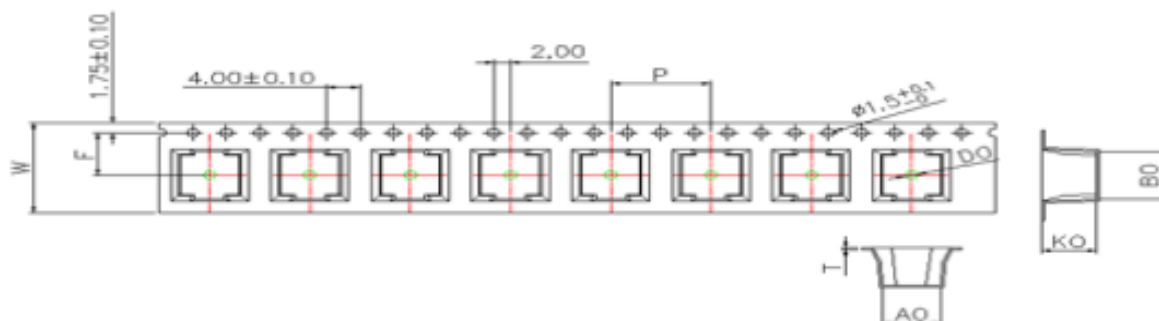
A	2.50
B	3.00
C	7.00

Unit : mm

Packaging Information (包装信息)



TYPE	A	B	C	D	E	F
12mm	330	100	21.0±0.8	13 ^{+0.5} / _{-0.2}	12.0±0.3	18.4

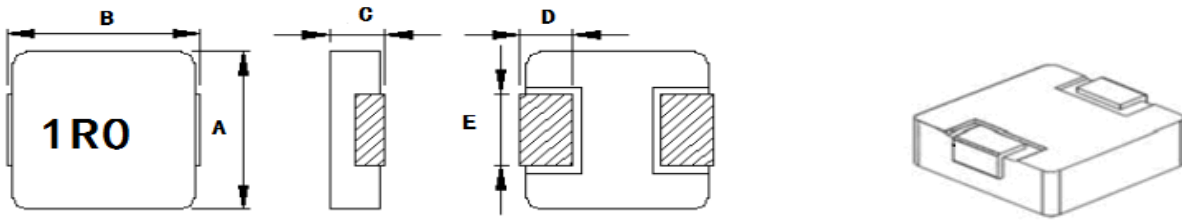


QTY (PCS)	A0	B0	KO	W	P	T
2500/3000	5.4±0.1	6.0±0.1	2.2±0.1	12.0±0.3	8.0±0.1	0.30±0.05

- ①一卷包装:2500Pcs / 3000Pcs;
- ② 小箱装两卷:一共5000Pcs / 6000Pcs;
- ③ 大箱装三小箱: 一共15000Pcs / 18000pcs.



SMD POWER INDUCTORS: SPD0530T Series



Series	A (mm)	B (mm)	C (mm)	D (mm)	E (mm)
SPD0530T	5.3MAX	5.6±0.3	3.0MAX	1.2±0.3	2.0±0.3

Part Number	L0 Inductance (μH) ±20%	Heat Rating Current Irms (A)	Saturation Current Isat (A)	DCR (mΩ)	
				TYP.	MAX.
SPD0530T-R10N-CT□	0.10±30%	23.0	27.0	2.5	3.0
SPD0530T-R20N-CT□	0.20±30%	16.0	25.0	2.6	3.2
SPD0530T-R22M-CT□	0.22	15.5	21.0	3.7	4.4
SPD0530T-R33M-CT□	0.33	14.0	18.0	4.3	5.0
SPD0530T-R47M-CT□	0.47	12.0	16.0	6.4	7.4
SPD0530T-R68M-CT□	0.68	8.5	14.0	10.0	12.0
SPD0530T-1R0M-CT□	1	7.0	11.0	13.0	14.0
SPD0530T-1R2M-CT□	1.2	6.5	11.0	14.0	16.0
SPD0530T-1R5M-CT□	1.5	6.0	10.0	16.0	25.0
SPD0530T-2R2M-CT□	2.2	5.5	9.0	25.0	35.0
SPD0530T-3R3M-CT□	3.3	5.0	8.0	32.0	38.0
SPD0530T-3R6M-CT□	3.6	4.9	7.0	46.0	54.0
SPD0530T-4R7M-CT□	4.7	4.6	6.0	50.0	53.0
SPD0530T-5R6M-CT□	5.6	4.3	4.5	55.0	63.0
SPD0530T-6R8M-CT□	6.8	4.0	4.3	68.0	76.2
SPD0530T-100M-CT□	10	2.8	3.5	110.0	128.0
SPD0530T-150M-CT□	15	2.1	2.6	165.0	190.0

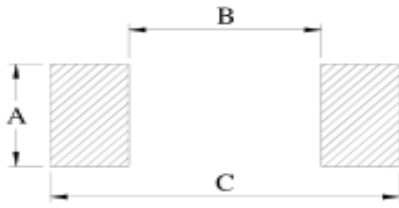
SPD0530T-180M-CT□	18	2.0	2.3	195.0	230.0
SPD0530T-220M-CT□	22	1.9	1.7	220.0	250.0
SPD0530T-330M-CT□	33	1.6	1.6	380.0	440.0

NOTES:

1. All test data is referenced to 25°C ambient
 2. Operating Temperature Range -55°C to +125°C
 3. Irms : DC current (A) that will cause an approximate ΔT of 40°C
 4. Isat : DC current (A) that will cause Lo to drop approximately 30%
 5. Test Frequency: 100KHZ,1.0V
-

SMD POWER INDUCTORS: SPD0530T Series

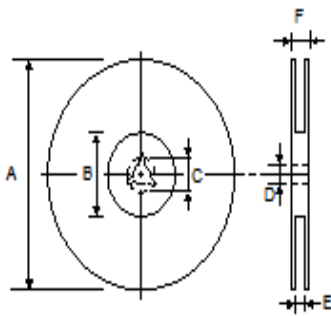
Recommend Land Pattern Dimensions (推荐焊盘)



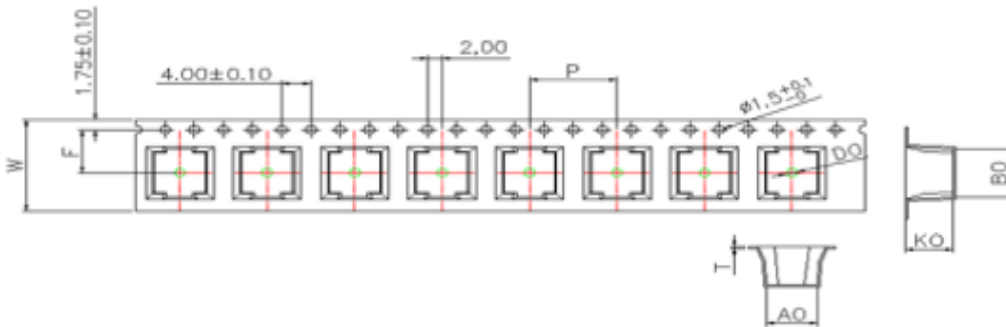
A	2.50
B	3.00
C	7.00

Unit : mm

Packaging Information (包装信息)



TYPE	A	B	C	D	E	F
12mm	330	100	21.0±0.8	13 ^{+0.5} / _{-0.2}	12.0±0.3	18.4

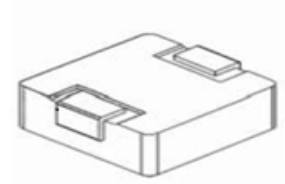
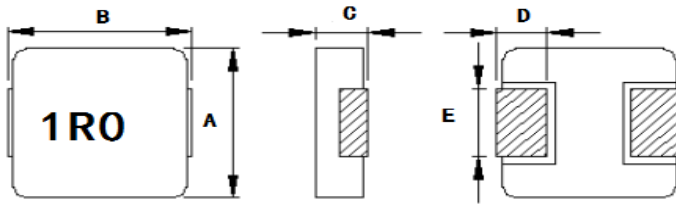


QTY (PCS)	A0	B0	KO	W	P	T
2000/2500	5.4±0.1	6.0±0.1	3.2±0.1	12.0±0.3	8.0±0.1	0.30±0.05

- ① 一卷包装:2000Pcs / 2500Pcs;
- ② 小箱装两卷:一共4000Pcs / 5000Pcs;
- ③ 大箱装三小箱:一共12000Pcs / 15000Pcs.



SMD POWER INDUCTORS: SPD0618T Series



Series	A (mm)	B (mm)	C (mm)	D (mm)	E (mm)
SPD0618T	6.6 ± 0.3	7.6 MAX	1.8 MAX	1.6 ± 0.5	3.0 ± 0.3

Part Number	L0 Inductance (μH) ±20%	Heat Rating Current Irms (A)	Saturation Current Isat (A)	DCR (mΩ)	
				TYP.	MAX.
SPD0618T-R15N-CT□	0.15 ± 30%	16.0	30.0	2.2	2.6
SPD0618T-R18N-CT□	0.18 ± 30%	15.0	29.0	2.5	3.0
SPD0618T-R22M-CT□	0.22	14.0	24.0	2.5	3.0
SPD0618T-R33M-CT□	0.33	12.0	19.0	4.8	5.8
SPD0618T-R47M-CT□	0.47	10.0	16.0	6.4	7.4
SPD0618T-R56M-CT□	0.56	9.5	15.0	8.5	10.0
SPD0618T-R68M-CT□	0.68	9.0	15.0	9.5	11.0
SPD0618T-R82M-CT□	0.82	7.9	14.0	11.5	14.0
SPD0618T-1R0M-CT□	1	6.5	12.0	14.5	17.0
SPD0618T-1R2M-CT□	1.2	6.0	11.0	20.0	24.0
SPD0618T-1R5M-CT□	1.5	5.5	11.0	21.0	25.2
SPD0618T-2R2M-CT□	2.2	5.5	10.0	31.0	35.0
SPD0618T-3R3M-CT□	3.3	4.5	8.0	40.0	46.0
SPD0618T-4R7M-CT□	4.7	3.6	6.0	68.0	76.0
SPD0618T-5R6M-CT□	5.6	3.1	5.0	78.0	86.0
SPD0618T-6R8M-CT□	6.8	2.6	4.5	93.0	104.0
SPD0618T-8R2M-CT□	8.2	2.2	3.8	123.0	140.0

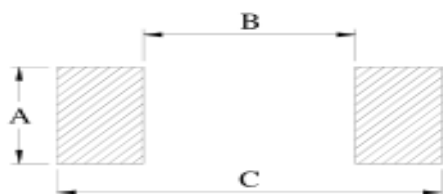
SPD0618T-100M-CT□	10	2.0	3.1	143.0	160.0
SPD0618T-150M-CT□	15	1.7	2.7	240.0	280.0
SPD0618T-220M-CT□	22	1.5	2.1	300.0	360.0

NOTES:

1. All test data is referenced to 25°C ambient
 2. Operating Temperature Range -55°C to +125°C
 3. I_{rms} : DC current (A) that will cause an approximate ΔT of 40°C
 4. I_{sat} : DC current (A) that will cause L_o to drop approximately 30%
 5. Test Frequency: 100KHZ,1.0V
-

SMD POWER INDUCTORS: SPD0618T Series

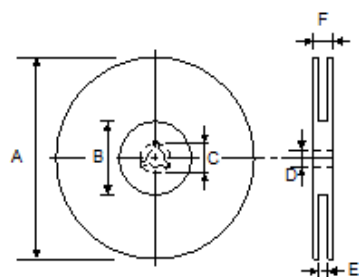
Recommend Land Pattern Dimensions (推荐焊盘)



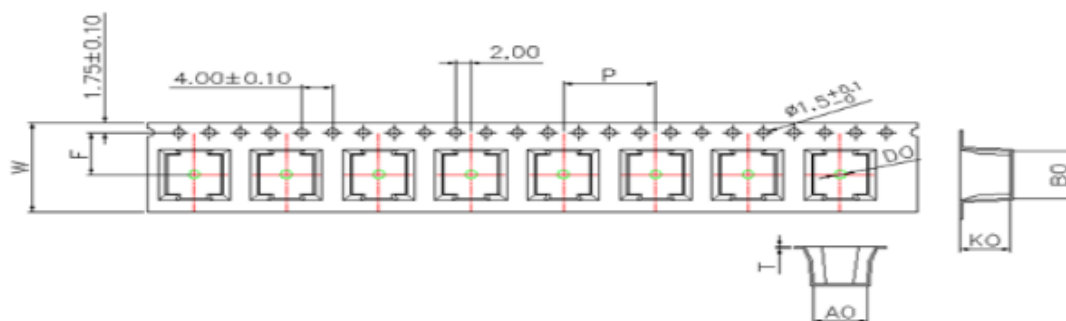
A	3.50
B	2.50
C	8.40

Unit : mm

Packaging Information (包装信息)



TYPE	A	B	C	D	E	F
16mm	330	100	21.0±0.8	13 ^{+0.5} / _{-0.2}	16±0.3	22.4

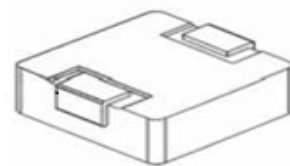
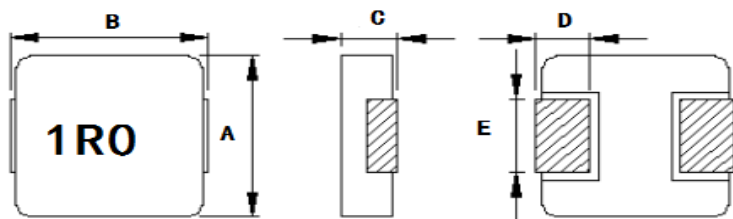


Q'TY (PCS)	A0	B0	KO	W	P	T
2000	7.0±0.1	7.8±0.1	2.3±0.1	16.0±0.3	12.0±0.1	0.35±0.05

- ① 一卷包装: 2000Pcs;
- ② 小箱装两卷: 一共4000Pcs;
- ③ 大箱装三小箱: 一共12000Pcs.



SMD POWER INDUCTORS: SPD0620T Series



Series	A (mm)	B (mm)	C (mm)	D (mm)	E (mm)
SPD0620T	6.6 ± 0.3	7.6 MAX	2.0 MAX	1.6 ± 0.5	3.0 ± 0.3

Part Number	L0 Inductance (μH) ±20%	Heat Rating Current Irms (A)	Saturation Current Isat (A)	DCR (mΩ)	
				TYP.	MAX.
SPD0620T-R10N-CT□	0.10 ± 30%	21.0	40.0	2.0	2.4
SPD0620T-R15N-CT□	0.15 ± 30%	18.0	39.0	2.3	2.7
SPD0620T-R16N-CT□	0.16 ± 30%	18.0	38.0	2.3	2.7
SPD0620T-R18N-CT□	0.18 ± 30%	18.0	36.0	2.4	2.9
SPD0620T-R20N-CT□	0.20 ± 30%	18.0	35.0	2.5	3.0
SPD0620T-R22N-CT□	0.22 ± 30%	15.0	32.0	3.5	4.0
SPD0620T-R33M-CT□	0.33	14.0	25.0	4.5	5.0
SPD0620T-R47M-CT□	0.47	11.7	20.0	7.1	8.3
SPD0620T-R56M-CT□	0.56	11.0	18.0	7.9	9.3
SPD0620T-R68M-CT□	0.68	10.5	16.0	8.3	10.0
SPD0620T-1R0M-CT□	1	8.0	14.0	16.5	18.0
SPD0620T-1R2M-CT□	1.2	7.5	13.0	19.0	23.0
SPD0620T-1R5M-CT□	1.5	7.0	12.0	23.0	27.0
SPD0620T-2R2M-CT□	2.2	6.0	10.0	32.0	37.0
SPD0620T-3R3M-CT□	3.3	5.0	8.0	43.0	48.0
SPD0620T-4R7M-CT□	4.7	4.5	7.0	53.0	60.0

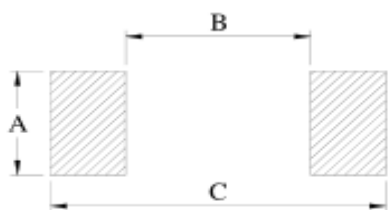
SPD0620T-5R6M-CT□	5.6	4.0	6.0	59.0	68.0
SPD0620T-6R8M-CT□	6.8	4.0	5.5	63.0	73.0
SPD0620T-8R2M-CT□	8.2	3.2	5.0	101.0	116.0
SPD0620T-100M-CT□	10	2.8	4.0	134.0	154.0
SPD0620T-150M-CT□	15	2.1	3.3	190.0	210.0
SPD0620T-220M-CT□	22	1.5	2.5	236.0	280.0

NOTES:

1. All test data is referenced to 25°C ambient
 2. Operating Temperature Range -55°C to +125°C
 3. Irms : DC current (A) that will cause an approximate ΔT of 40°C
 4. Isat : DC current (A) that will cause Lo to drop approximately 30%
 5. Test Frequency: 100KHZ,1.0V
-

SMD POWER INDUCTORS: SPD0624T Series

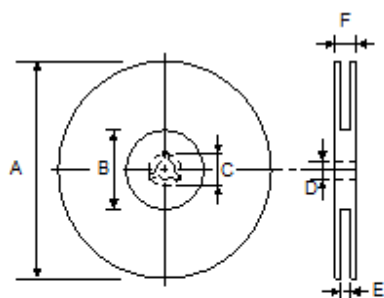
Recommend Land Pattern Dimensions (推荐焊盘)



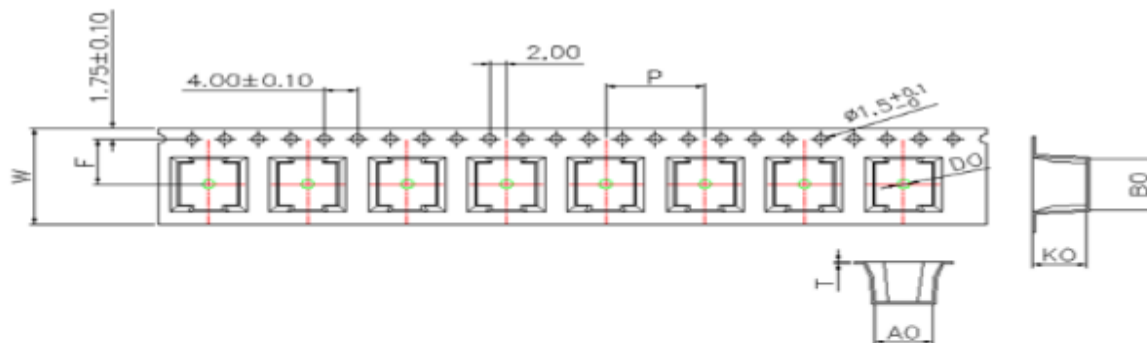
A	3.50
B	2.50
C	8.40

Unit : mm

Packaging Information (包装信息)



TYPE	A	B	C	D	E	F
16mm	330	100	21.0±0.8	13 ^{+0.5} / _{-0.2}	16±0.3	22.4

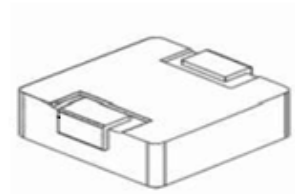
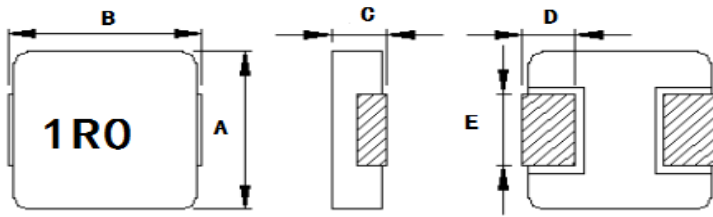


Q'TY (PCS)	A0	B0	KO	W	P	T
2000	7.0±0.1	7.8±0.1	2.3±0.1	16.0±0.3	12.0±0.1	0.35±0.05

- ① 一卷包装: 2000Pcs;
- ② 小箱装两卷: 一共4000Pcs;
- ③ 大箱装三小箱: 一共12000Pcs.



SMD POWER INDUCTORS: SPD0624T Series



Series	A (mm)	B (mm)	C (mm)	D (mm)	E (mm)
SPD0624T	6.6 ± 0.3	7.6 MAX	2.4 MAX	1.6 ± 0.5	3.0 ± 0.3

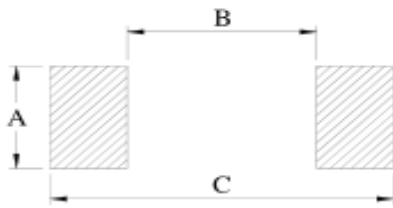
Part Number	L0 Inductance (μH) ±20%	Heat Rating Current Irms (A)	Saturation Current Isat (A)	DCR (mΩ)	
				TYP.	MAX.
SPD0624T-R10N-CT□	0.10 ± 30%	30.0	70.0	1.4	1.7
SPD0624T-R15N-CT□	0.15 ± 30%	30.0	45.0	1.8	2.3
SPD0624T-R20M-CT□	0.2	23.0	40.0	1.9	2.8
SPD0624T-R22M-CT□	0.22	21.0	34.0	2.0	3.2
SPD0624T-R33M-CT□	0.33	18.0	30.0	3.6	4.4
SPD0624T-R36M-CT□	0.36	17.0	29.0	3.8	4.6
SPD0624T-R47M-CT□	0.47	15.0	26.0	4.8	5.1
SPD0624T-R56M-CT□	0.56	13.0	24.0	5.5	6.5
SPD0624T-R60M-CT□	0.6	13.0	22.0	5.7	6.9
SPD0624T-R68M-CT□	0.68	13.0	21.0	6.4	7.2
SPD0624T-R82M-CT□	0.82	11.0	17.0	8.0	9.5
SPD0624T-1R0M-CT□	1	11.0	16.0	10.5	13.5
SPD0624T-1R5M-CT□	1.5	9.0	15.0	17.0	20.0
SPD0624T-2R2M-CT□	2.2	7.0	14.0	23.0	28.0
SPD0624T-3R3M-CT□	3.3	6.0	10.0	34.0	39.0
SPD0624T-4R7M-CT□	4.7	5.5	9.0	41.0	50.0
SPD0624T-5R6M-CT□	5.6	5.0	8.0	56.0	62.0
SPD0624T-6R8M-CT□	6.8	4.0	7.0	65.0	72.0
SPD0624T-8R2M-CT□	8.2	3.6	6.0	81.0	95.0
SPD0624T-100M-CT□	10	3.2	5.0	92.0	101.0
SPD0624T-150M-CT□	15	2.5	3.5	150.0	180.0
SPD0624T-220M-CT□	22	1.8	3.0	185.0	215.0

NOTES:

1. All test data is referenced to 25°C ambient
 2. Operating Temperature Range -55°C to +125°C
 3. Irms : DC current (A) that will cause an approximate ΔT of 40°C
 4. Isat : DC current (A) that will cause Lo to drop approximately 30%
 5. Test Frequency: 100KHZ,1.0V
-

SMD POWER INDUCTORS: SPD0624T Series

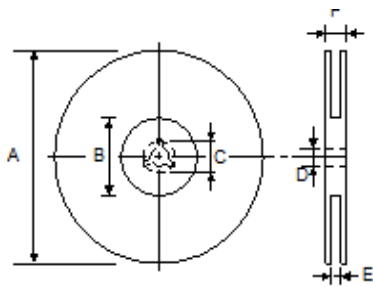
Recommend Land Pattern Dimensions (推荐焊盘)



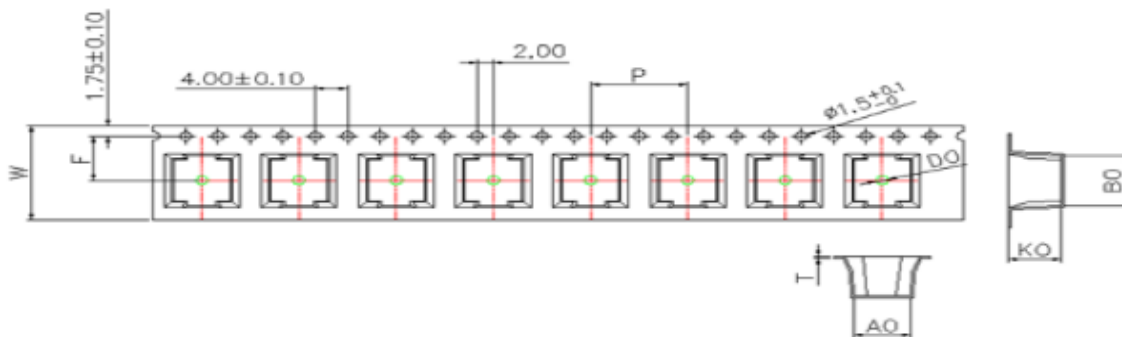
A	3.50
B	2.50
C	8.40

Unit : mm

Packaging Information (包装信息)



TYPE	A	B	C	D	E	F
16mm	330	100	21.0±0.8	13 ^{+0.5} / _{-0.2}	16±0.3	22.4

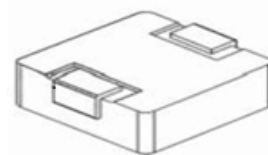
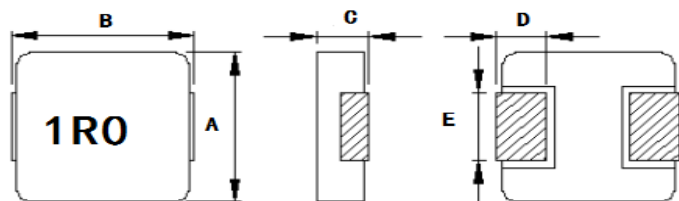


Q'TY (PCS)	A0	B0	KO	W	P	T
2000	7.0±0.1	7.8±0.1	2.6±0.1	16.0±0.3	12.0±0.1	0.35±0.05

- ①一卷包装:2000Pcs;
- ②小箱装两卷:一共4000Pcs;
- ③大箱装三小箱:一共12000Pcs.



SMD POWER INDUCTORS: SPD0630T Series



Series	A (mm)	B (mm)	C (mm)	D (mm)	E (mm)
SPD0630T	6.6 ± 0.3	7.6 MAX	3.0 MAX	1.6 ± 0.5	3.0 ± 0.3

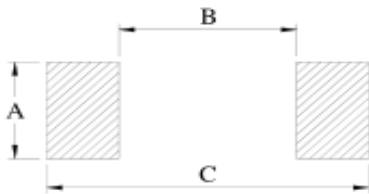
Part Number	L0 Inductance (μH) ±20%	Heat Rating Current Irms (A)	Saturation Current Isat (A)	DCR (mΩ)	
				TYP.	MAX.
SPD0630T-R10M-CT□	0.1	32.5	60.0	1.5	1.7
SPD0630T-R15M-CT□	0.15	30.0	52.0	1.7	2.0
SPD0630T-R20M-CT□	0.2	24.0	41.0	2.4	3.0
SPD0630T-R22M-CT□	0.22	23.0	40.0	2.5	2.8
SPD0630T-R33M-CT□	0.33	20.0	30.0	3.5	3.9
SPD0630T-R47M-CT□	0.47	17.5	26.0	4.0	4.2
SPD0630T-R56M-CT□	0.56	16.5	25.5	4.7	5.0
SPD0630T-R68M-CT□	0.68	15.5	25.0	5.0	5.5
SPD0630T-R75M-CT□	0.75	14.0	24.5	5.4	6.2
SPD0630T-R82M-CT□	0.82	13.0	24.0	6.7	8.0
SPD0630T-1R0M-CT□	1	11.0	22.0	9.0	10.0
SPD0630T-1R2M-CT□	1.2	10.0	20.0	10.0	12.0
SPD0630T-1R5M-CT□	1.5	9.0	18.0	14.0	15.0
SPD0630T-2R0M-CT□	2	8.2	14.0	16.0	18.0
SPD0630T-2R2M-CT□	2.2	8.0	14.0	18.0	20.0
SPD0630T-2R5M-CT□	2.5	7.0	14.0	20.0	22.0
SPD0630T-3R3M-CT□	3.3	6.0	13.5	28.0	30.0
SPD0630T-4R7M-CT□	4.7	5.5	10.0	37.0	40.0
SPD0630T-6R8M-CT□	6.8	4.5	8.0	54.0	60.0
SPD0630T-8R2M-CT□	8.2	4.0	8.0	60.0	68.0
SPD0630T-100M-CT□	10	3.0	7.0	95.0	105.0

NOTES:

1. All test data is referenced to 25°C ambient
 2. Operating Temperature Range -55°C to +125°C
 3. I_{rms} : DC current (A) that will cause an approximate ΔT of 40°C
 4. I_{sat} : DC current (A) that will cause Lo to drop approximately 30%
 5. Test Frequency: 100KHZ,1.0V
-

SMD POWER INDUCTORS: SPD0630T Series

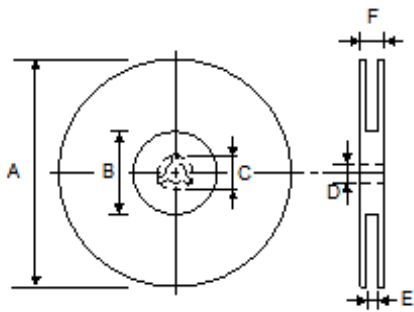
Recommend Land Pattern Dimensions (推荐焊盘)



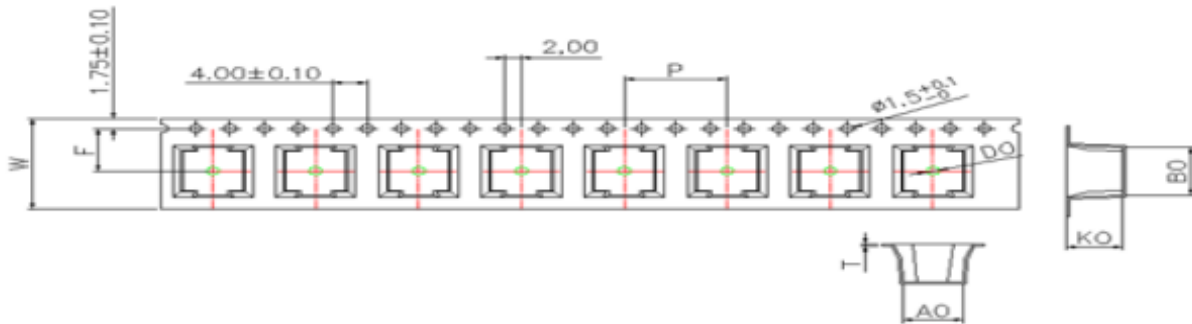
A	3.50
B	2.50
C	8.40

Unit : mm

Packaging Information (包装信息)



TYPE	A	B	C	D	E	F
16mm	330	100	21.0 ± 0.8	$13^{+0.5}_{-0.2}$	16 ± 0.3	22.4

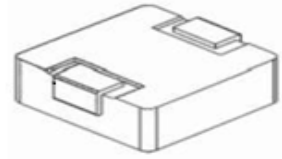
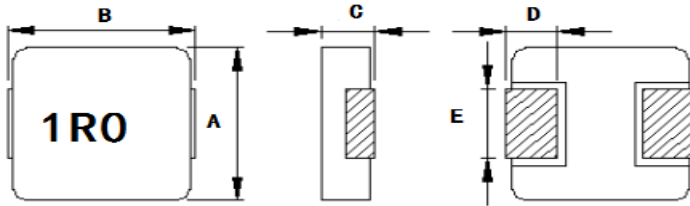


QTY (PCS)	A0	B0	KO	W	P	T
1500	7.0 ± 0.1	7.8 ± 0.1	3.2 ± 0.1	16.0 ± 0.3	12.0 ± 0.1	0.35 ± 0.05

- ① 一卷包装: 1500Pcs;
- ② 小箱装两卷: 一共3000Pcs;
- ③ 大箱装三小箱: 一共9000Pcs.



SMD POWER INDUCTORS: SPD0640T Series



Series	A (mm)	B (mm)	C (mm)	D (mm)	E (mm)
SPD0640T	6.6 ± 0.3	7.6 MAX	4.0 MAX	1.6 ± 0.5	3.0 ± 0.3

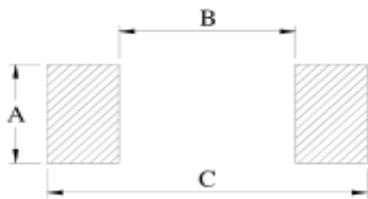
Part Number	L0 Inductance (µH) ±20%	Heat Rating Current I _{rms} (A)	Saturation Current I _{sat} (A)	DCR (mΩ)	
				TYP.	MAX.
SPD0640T-R12N-CT□	0.12 ± 30%	32.0	64.0	0.7	1.0
SPD0640T-R15N-CT□	0.15 ± 30%	30.0	55.0	0.9	1.2
SPD0640T-R22M-CT□	0.22	25.0	34.0	1.9	2.1
SPD0640T-R33M-CT□	0.33	25.0	34.0	2.0	2.6
SPD0640T-R36M-CT□	0.36	25.0	31.0	2.7	3.1
SPD0640T-R47M-CT□	0.47	23.0	28.0	3.0	3.4
SPD0640T-R56M-CT□	0.56	20.0	26.0	3.8	4.3
SPD0640T-R68M-CT□	0.68	16.0	24.0	4.1	4.5
SPD0640T-1R0M-CT□	1	14.0	22.0	6.8	8.0
SPD0640T-1R5M-CT□	1.5	12.0	20.0	10.0	12.0
SPD0640T-2R2M-CT□	2.2	9.0	14.0	11.5	14.0
SPD0640T-3R3M-CT□	3.3	8.0	12.0	24.0	27.0
SPD0640T-4R7M-CT□	4.7	6.0	11.0	28.0	32.5
SPD0640T-5R6M-CT□	5.6	5.0	9.0	33.0	38.0
SPD0640T-6R8M-CT□	6.8	4.5	8.5	44.0	50.0
SPD0640T-8R2M-CT□	8.2	4.5	8.0	55.0	64.0
SPD0640T-100M-CT□	10	4.0	7.0	64.0	72.0
SPD0640T-150M-CT□	15	3.0	3.5	80.0	90.0
SPD0640T-220M-CT□	22	2.5	3.5	120.0	145.0
SPD0640T-330M-CT□	33	1.8	3.2	180.0	210.0
SPD0640T-470M-CT□	47	1.8	2.5	295.0	350.0

NOTES:

1. All test data is referenced to 25°C ambient
 2. Operating Temperature Range -55°C to +125°C
 3. Irms : DC current (A) that will cause an approximate ΔT of 40°C
 4. Isat : DC current (A) that will cause Lo to drop approximately 30%
 5. Test Frequency: 100KHZ,1.0V
-

SMD POWER INDUCTORS: SPD0640T Series

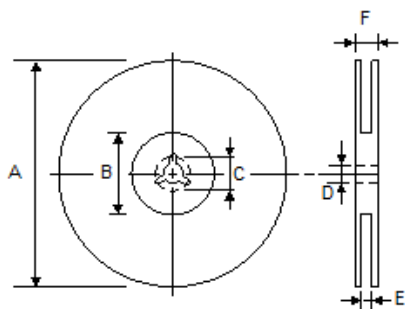
Recommend Land Pattern Dimensions (推荐焊盘)



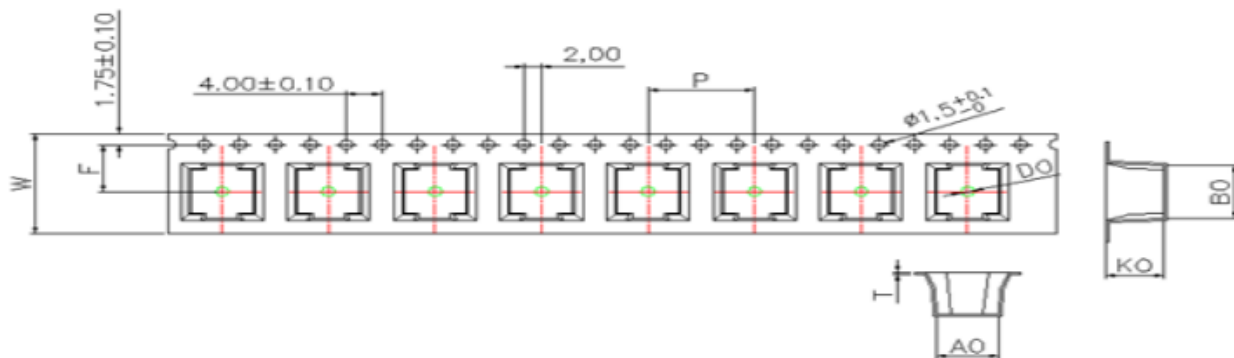
A	3.50
B	2.50
C	8.40

Unit : mm

Packaging Information (包装信息)



TYPE	A	B	C	D	E	F
16mm	330	100	21.0±0.8	13 ^{+0.5} / _{-0.2}	16±0.3	22.4

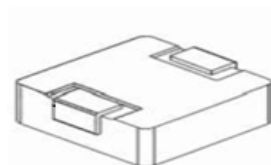
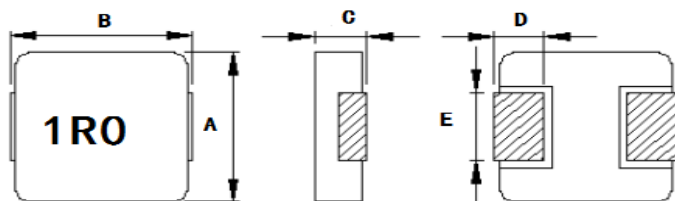


Q'TY (PCS)	A0	B0	KO	W	P	T
1000	7.0±0.1	7.8±0.1	4.2±0.1	16.0±0.3	12.0±0.1	0.35±0.05

- ① 一卷包装: 1000Pcs;
- ② 小箱装两卷: 一共2000Pcs;
- ③ 大箱装三小箱: 一共6000Pcs.



SMD POWER INDUCTORS: SPD0650T Series



Series	A (mm)	B (mm)	C (mm)	D (mm)	E (mm)
SPD0650T	6.6±0.3	7.6MAX	5.0MAX	1.6±0.5	3.0±0.3
Part Number	L0 Inductance (µH) ±20%	Heat Rating Current I _{rms} (A)	Saturation Current I _{sat} (A)	DCR (mΩ)	
				TYP.	MAX.
SPD0650T-R10N-CT□	0.10±30%	32.0	65.0	0.7	0.8
SPD0650T-R11N-CT□	0.11±30%	32.0	65.0	0.7	0.8
SPD0650T-R15N-CT□	0.15±30%	30.0	50.0	1.3	1.7
SPD0650T-R22M-CT□	0.22	25.0	35.0	1.6	1.9
SPD0650T-R33M-CT□	0.33	25.0	32.0	2.5	3.0
SPD0650T-R40M-CT□	0.4	23.0	31.0	3.1	3.7
SPD0650T-R47M-CT□	0.47	22.0	30.0	3.5	3.9
SPD0650T-R56M-CT□	0.56	20.0	27.0	3.6	4.2
SPD0650T-R60M-CT□	0.6	19.0	25.0	3.8	4.3
SPD0650T-R68M-CT□	0.68	18.0	24.0	4.0	4.5
SPD0650T-R82M-CT□	0.82	16.5	22.0	4.6	4.9
SPD0650T-1R0M-CT□	1	15.0	20.0	6.1	6.5
SPD0650T-1R2M-CT□	1.2	14.0	18.0	6.7	7.5
SPD0650T-1R5M-CT□	1.5	12.0	16.5	8.6	9.0
SPD0650T-1R8M-CT□	1.8	12.0	15.0	9.5	11.0
SPD0650T-2R2M-CT□	2.2	10.0	14.0	11.2	12.0
SPD0650T-3R3M-CT□	3.3	8.0	12.0	19.0	20.9
SPD0650T-4R7M-CT□	4.7	6.5	10.0	28.0	30.8
SPD0650T-4R9M-CT□	4.9	6.3	9.5	32.0	38.0
SPD0650T-5R6M-CT□	5.6	6.0	9.0	43.5	49.0
SPD0650T-6R8M-CT□	6.8	5.5	8.5	46.0	51.5
SPD0650T-8R2M-CT□	8.2	5.0	8.0	56.0	63.0
SPD0650T-100M-CT□	10	4.0	7.5	60.0	69.0
SPD0650T-120M-CT□	12	3.8	6.7	68.0	80.0
SPD0650T-150M-CT□	15	3.5	6.0	81.0	92.0
SPD0650T-220M-CT□	22	2.5	5.5	140.0	170.0
SPD0650T-330M-CT□	33	2.0	3.5	173.0	200.0
SPD0650T-420M-CT□	42	2.0	2.8	212.0	245.0
SPD0650T-470M-CT□	47	1.9	2.7	290.0	330.0

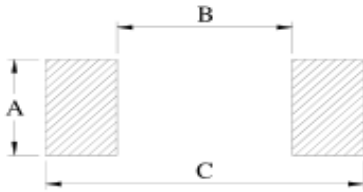
SPD0650T-560M-CT□	56	1.6	2.1	342.0	396.0
SPD0650T-680M-CT□	68	1.2	2.0	386.0	445.0

NOTES:

1. All test data is referenced to 25°C ambient
 2. Operating Temperature Range -55°C to +125°C
 3. Irms : DC current (A) that will cause an approximate ΔT of 40°C
 4. Isat : DC current (A) that will cause Lo to drop approximately 30%
 5. Test Frequency: 100KHZ,1.0V
-

SMD POWER INDUCTORS: SPD0650 Series

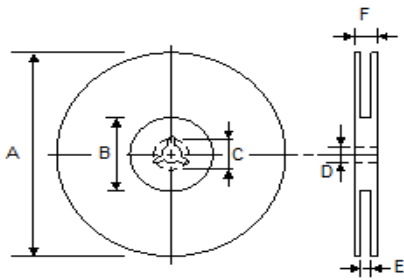
Recommend Land Pattern Dimensions (推荐焊盘)



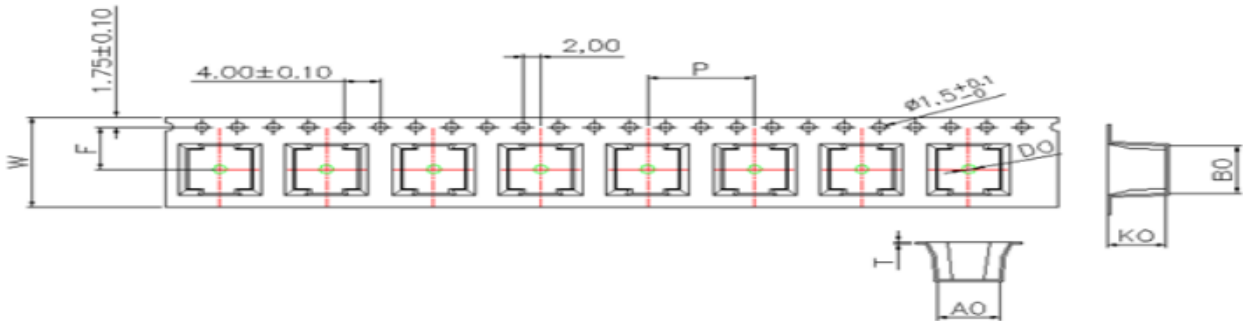
A	3.50
B	2.50
C	8.40

Unit : mm

Packaging Information (包装信息)



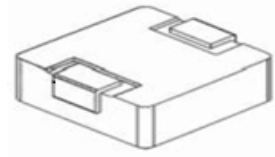
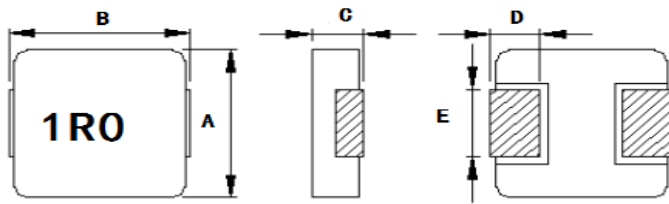
TYPE	A	B	C	D	E	F
16mm	330	100	21.0±0.8	13 ^{+0.5} / _{-0.2}	16±0.3	22.4



Q'TY (PCS)	A0	B0	KO	W	P	T
1000	7.0±0.1	7.8±0.1	5.2±0.1	16.0±0.3	12.0±0.1	0.35±0.05

- ①一卷包装:1000Pcs;
- ② 小箱装两卷:一共2000Pcs;
- ③ 大箱装三小箱: 一共6000Pcs.

SMD POWER INDUCTORS: SPD1040T Series



Series	A (mm)	B (mm)	C (mm)	D (mm)	E (mm)
SPD1040T	10.8MAX	11.8MAX	4.0MAX	2.0±0.5	3.0±0.3

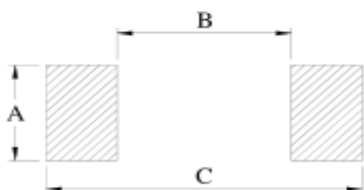
Part Number	L0 Inductance (μH) ±20%	Heat Rating Current I _{rms} (A)	Saturation Current I _{sat} (A)	DCR (mΩ)	
				TYP.	MAX.
SPD1040T-R22M-CT□	0.22	35.0	60.0	0.8	1.0
SPD1040T-R27M-CT□	0.27	33.0	60.0	0.8	1.0
SPD1040T-R36M-CT□	0.36	31.0	60.0	1.1	1.2
SPD1040T-R39M-CT□	0.39	30.0	60.0	1.1	1.3
SPD1040T-R45M-CT□	0.45	29.0	45.0	1.3	1.5
SPD1040T-R56M-CT□	0.56	25.0	40.0	1.6	1.8
SPD1040T-1R0M-CT□	1	18.0	36.0	3.0	3.3
SPD1040T-1R5M-CT□	1.5	16.0	33.0	4.0	4.6
SPD1040T-2R2M-CT□	2.2	12.0	27.0	6.5	7.0
SPD1040T-3R3M-CT□	3.3	11.0	20.0	10.8	11.8
SPD1040T-4R7M-CT□	4.7	10.0	17.0	15.0	15.5
SPD1040T-6R8M-CT□	6.8	8.5	13.5	17.5	23.3
SPD1040T-8R2M-CT□	8.2	8.0	12.5	20.0	22.5
SPD1040T-100M-CT□	10	7.5	12.0	27.0	30.0
SPD1040T-150M-CT□	15	6.3	10.0	40.0	45.0
SPD1040T-330M-CT□	33	3.5	5.0	92.0	112.0

NOTES:

1. All test data is referenced to 25°C ambient
2. Operating Temperature Range -55°C to +125°C
3. I_{rms} : DC current (A) that will cause an approximate ΔT of 40°C
4. I_{sat} : DC current (A) that will cause L₀ to drop approximately 30%
5. Test Frequency: 100KHZ, 1.0V

SMD POWER INDUCTORS: SPD1040T Series

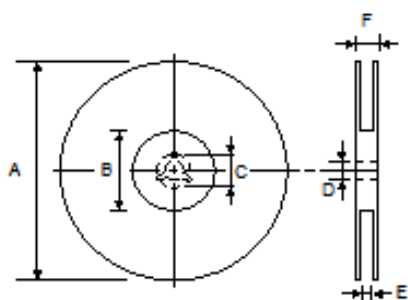
Recommend Land Pattern Dimensions (推荐焊盘)



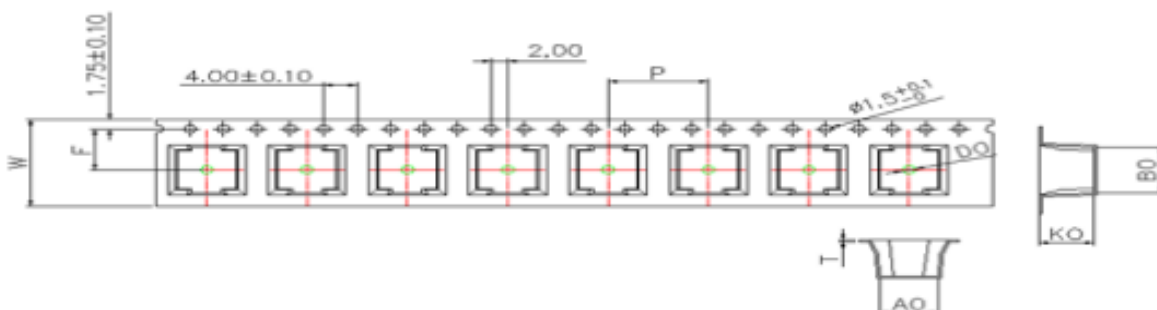
A	4.10
B	5.40
C	13.60

Unit : mm

Packaging Information (包装信息)



TYPE	A	B	C	D	E	F
24mm	330	100	21.0±0.8	13 ^{+0.5} _{-0.2}	24±0.3	30.4



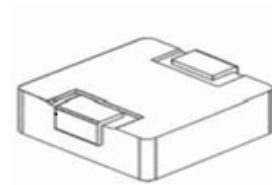
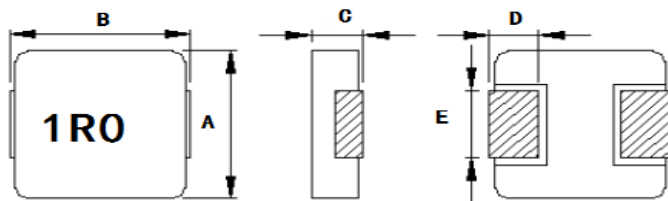
QTY (PCS)	A0	B0	KO	W	P	T
1000	10.7±0.1	12.0±0.1	4.5±0.1	24.0±0.3	16.0±0.1	0.35±0.05

CET1040 Series:

- ① 一卷包装: 1000Pcs;
- ② 小箱装两卷: 一共2000Pcs;
- ③ 大箱装三小箱: 一共6000Pcs.



SMD POWER INDUCTORS: SPD1050T Series



Series	A (mm)	B (mm)	C (mm)	D (mm)	E (mm)
SPD1050T	10.8MAX	11.8MAX	5.0MAX	2.0±0.5	3.0±0.3

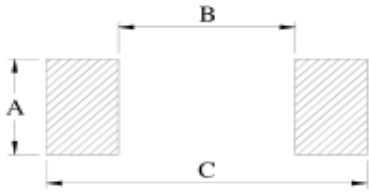
Part Number	L0 Inductance (μH) ±20%	Heat Rating Current I _{rms} (A)	Saturation Current I _{sat} (A)	DCR (mΩ)	
				TYP.	MAX.
SPD1050T-R22M-CT□	0.22	45.0	70.0	0.5	0.5
SPD1050T-R30M-CT□	0.3	38.0	65.0	0.6	0.6
SPD1050T-R56M-CT□	0.56	26.5	43.0	1.3	1.5
SPD1050T-R90M-CT□	0.9	25.0	32.0	2.2	3.0
SPD1050T-1R0M-CT□	1	22.0	30.0	2.8	3.5
SPD1050T-1R2M-CT□	1.2	20.0	28.0	2.9	3.5
SPD1050T-1R3M-CT□	1.3	20.0	28.0	3.2	3.7
SPD1050T-1R5M-CT□	1.5	19.0	27.0	3.5	4.1
SPD1050T-1R8M-CT□	1.8	17.5	25.5	3.7	4.7
SPD1050T-2R2M-CT□	2.2	16.0	24.0	5.4	6.0
SPD1050T-3R3M-CT□	3.3	14.0	22.0	9.0	10.4
SPD1050T-4R7M-CT□	4.7	13.0	19.0	10.0	12.5
SPD1050T-5R0M-CT□	5	12.0	18.0	12.2	15.0
SPD1050T-5R6M-CT□	5.6	10.0	16.0	14.0	16.8
SPD1050T-6R8M-CT□	6.8	9.5	15.0	16.5	21.0
SPD1050T-8R2M-CT□	8.2	9.0	14.5	18.5	24.0
SPD1050T-100M-CT□	10	8.0	13.5	25.0	29.0
SPD1050T-120M-CT□	12	6.0	10.0	30.0	35.0
SPD1050T-150M-CT□	15	5.5	9.5	37.0	45.0
SPD1050T-220M-CT□	22	5.0	9.0	50.0	60.0
SPD1050T-240M-CT□	24	4.6	7.7	59.0	70.8
SPD1050T-330M-CT□	33	4.3	7.5	80.0	92.0
SPD1050T-470M-CT□	47	3.8	6.5	125.0	145.0
SPD1050T-680M-CT□	68	2.5	4.0	176.0	205.0
SPD1050T-101M-CT□	100	2.0	3.0	315.0	380.0

NOTES:

1. All test data is referenced to 25°C ambient
 2. Operating Temperature Range -55°C to +125°C
 3. Irms : DC current (A) that will cause an approximate ΔT of 40°C
 4. Isat : DC current (A) that will cause Lo to drop approximately 30%
 5. Test Frequency: 100KHZ,1.0V
-

SMD POWER INDUCTORS: SPD1050T Series

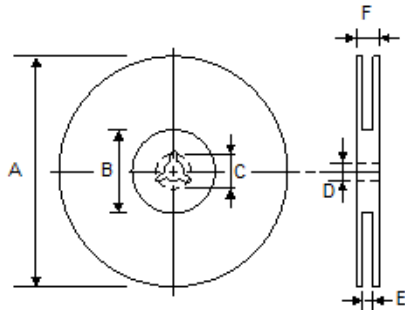
Recommend Land Pattern Dimensions (推荐焊盘)



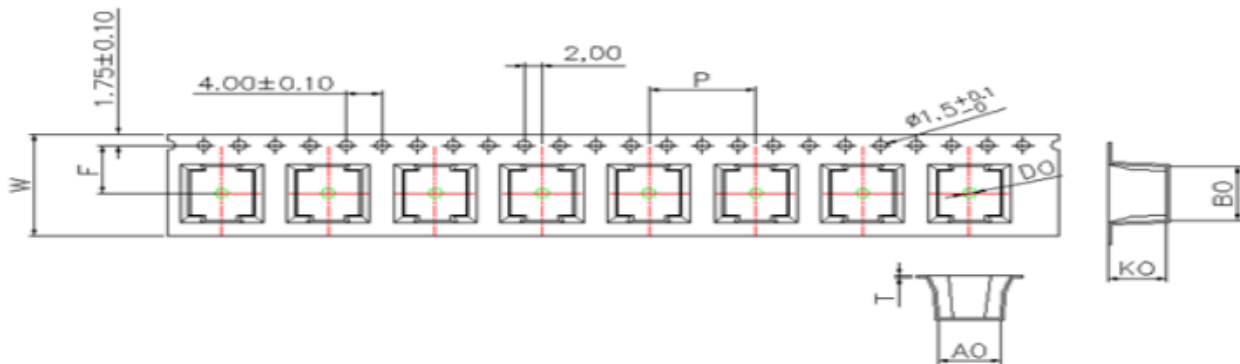
A	4.10
B	5.40
C	13.60

Unit : mm

Packaging Information (包装信息)



TYPE	A	B	C	D	E	F
24mm	330	100	21.0±0.8	13 ^{+0.5} / _{-0.2}	24±0.3	30.4



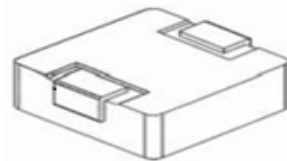
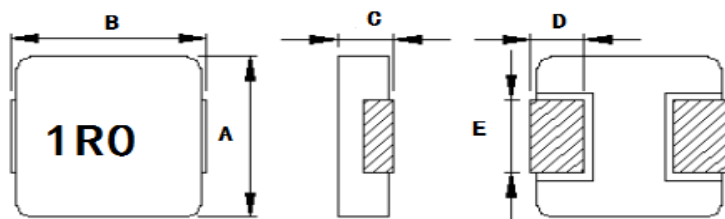
Q'TY (PCS)	A0	B0	KO	W	P	T
500/800	10.7±0.1	12.0±0.1	5.2±0.1	24.0±0.3	16.0±0.1	0.35±0.05

- ① 一卷包装: 500Pcs / 800Pcs;
- ② 小箱装两卷: 一共1000Pcs / 1600Pcs;
- ③ 大箱装三小箱: 一共3000Pcs / 4800Pcs.



SMD POWER INDUCTORS:

SPD1235T Series



Series	A (mm)	B (mm)	C (mm)	D (mm)	E (mm)
SPD1235T	12.8±0.5	13.5±1.0	3.5MAX	2.5±0.5	3.5±0.5

Part Number	L0 Inductance (μH) ±20%	Heat Rating Current Irms (A)	Saturation Current Isat (A)	DCR (mΩ)	
				TYP.	MAX.
SPD1235T-1R5M-CT□	1.5	19.0	35.0	4.8	5.5
SPD1235T-1R8M-CT□	1.8	17.0	30.0	5.2	7.0
SPD1235T-2R2M-CT□	2.2	16.0	29.0	6.3	8.0
SPD1235T-3R3M-CT□	3.3	12.0	27.0	11.0	13.5
SPD1235T-4R7M-CT□	4.7	10.0	24.0	15.3	18.5
SPD1235T-5R6M-CT□	5.6	9.5	19.0	18.0	22.0
SPD1235T-6R8M-CT□	6.8	9.0	18.0	20.0	24.0
SPD1235T-8R2M-CT□	8.2	8.5	16.0	23.0	28.0
SPD1235T-100M-CT□	10	7.5	14.0	29.0	34.0
SPD1235T-150M-CT□	15	6.5	10.0	55.0	65.0
SPD1235T-220M-CT□	22	4.5	7.0	83.0	99.0
SPD1235T-330M-CT□	33	3.5	6.0	132.0	160.0
SPD1235T-470M-CT□	47	3.0	5.5	181.0	218.0

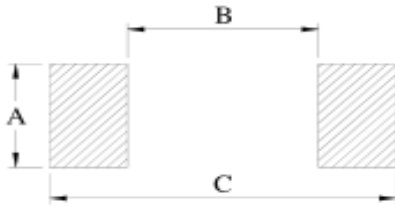
NOTES:

1. All test data is referenced to 25°C ambient
2. Operating Temperature Range -55°C to +125°C
3. Irms : DC current (A) that will cause an approximate ΔT of 40°C
4. Isat : DC current (A) that will cause Lo to drop approximately 30%
5. Test Frequency: 100KHZ,1.0V

SMD POWER INDUCTORS:

SPD1235T Series

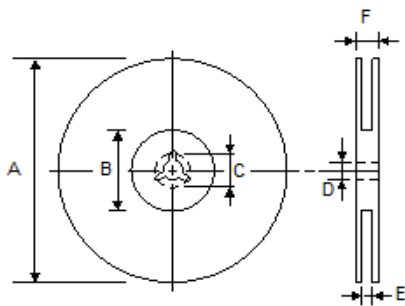
Recommend Land Pattern Dimensions (推荐焊盘)



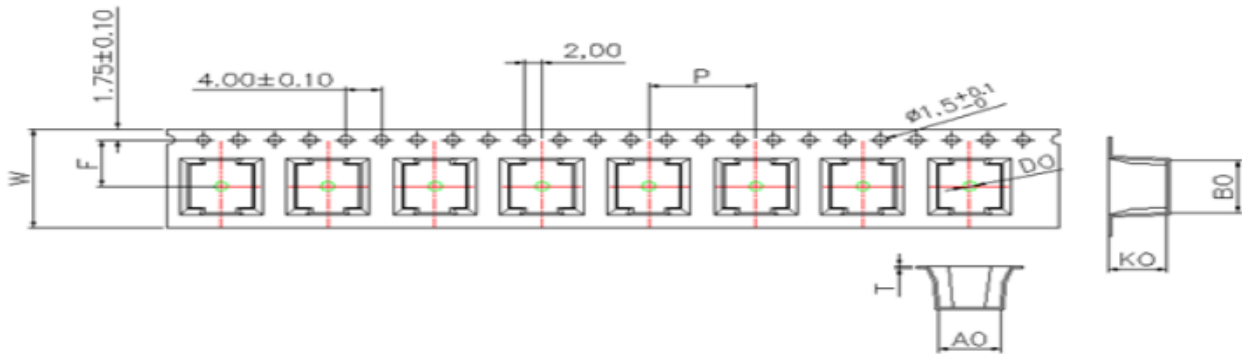
A	5.0
B	6.0
C	16.0

Unit: mm

Packaging Information (包装信息)



TYPE	A	B	C	D	E	F
24mm	330	100	21.0±0.8	13 ^{+0.5} / _{-0.2}	24±0.3	30.4

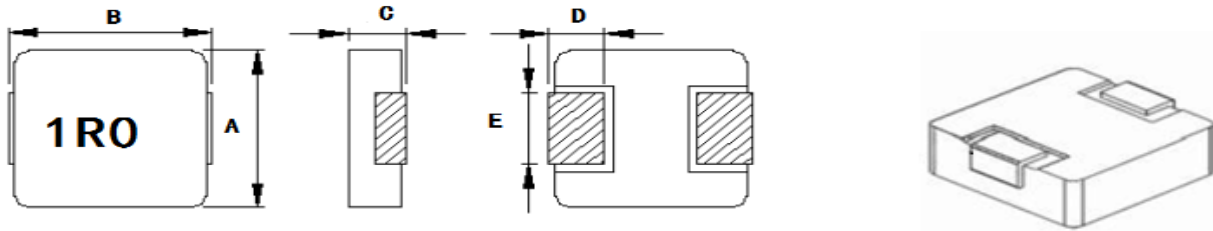


Q'TY (PCS)	A0	B0	KO	W	P	T
800	13.3±0.3	14.8±0.3	3.8±0.1	24.0±0.3	16.0±0.1	0.35±0.05

- ①一卷包装:800Pcs;
- ② 小箱装两卷:一共1600Pcs;
- ③ 大箱装三小箱: 一共4800Pcs.



SMD POWER INDUCTORS: SPD1250T Series



Series	A (mm)	B (mm)	C (mm)	D (mm)	E (mm)
SPD1250T	12.8±0.5	13.5±1.0	5.0MAX	2.5±0.5	3.5±0.5

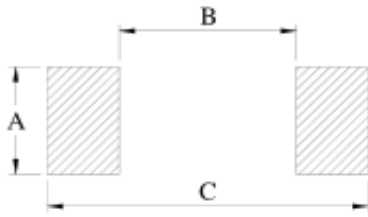
Part Number	L0 Inductance (μH) ±20%	Heat Rating Current Irms (A)	Saturation Current Isat (A)	DCR (mΩ)	
				TYP.	MAX.
SPD1250T-R15M-CT□	0.15	53.0	110.0	0.5	0.6
SPD1250T-R22M-CT□	0.22	52.0	110.0	0.5	0.7
SPD1250T-R33M-CT□	0.33	42.0	75.0	0.8	1.0
SPD1250T-R36M-CT□	0.36	42.0	70.0	0.8	1.0
SPD1250T-R40M-CT□	0.4	41.0	64.0	0.8	1.0
SPD1250T-R47M-CT□	0.47	38.0	60.0	1.1	1.3
SPD1250T-R56M-CT□	0.56	36.0	55.0	1.1	1.3
SPD1250T-R68M-CT□	0.68	34.0	54.0	1.4	1.7
SPD1250T-R82M-CT□	0.82	31.0	52.0	1.7	2.1
SPD1250T-1R0M-CT□	1	29.0	50.0	1.8	2.5
SPD1250T-1R2M-CT□	1.2	28.0	47.0	1.9	2.4
SPD1250T-1R5M-CT□	1.5	21.0	48.0	2.7	4.1
SPD1250T-2R2M-CT□	2.2	21.0	37.0	4.5	5.5
SPD1250T-3R3M-CT□	3.3	15.0	32.0	7.1	8.4
SPD1250T-4R7M-CT□	4.7	12.0	27.0	11.4	15.0
SPD1250T-6R8M-CT□	6.8	11.0	20.0	14.5	18.5
SPD1250T-8R2M-CT□	8.2	9.5	18.0	19.8	22.5
SPD1250T-100M-CT□	10	9.0	17.0	22.0	25.5
SPD1250T-150M-CT□	15	8.2	13.0	32.0	38.0
SPD1250T-220M-CT□	22	6.5	10.0	50.0	58.0
SPD1250T-330M-CT□	33	5.0	10.0	55.0	65.0
SPD1250T-470M-CT□	47	4.0	6.0	85.0	100.0
SPD1250T-680M-CT□	68	3.5	5.0	154.0	180.0
SPD1250T-101M-CT□	100	3.0	4.5	243.0	270.0

NOTES:

1. All test data is referenced to 25°C ambient
 2. Operating Temperature Range -55°C to +125°C
 3. Irms : DC current (A) that will cause an approximate ΔT of 40°C
 4. Isat : DC current (A) that will cause Lo to drop approximately 30%
 5. Test Frequency: 100KHZ,1.0V
-

SMD POWER INDUCTORS: SPD1250T Series

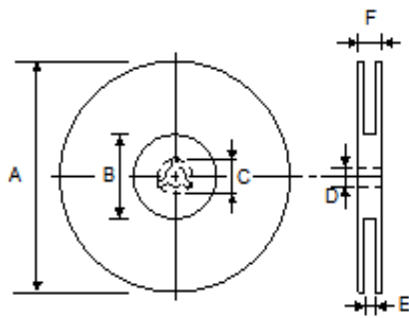
Recommend Land Pattern Dimensions (推荐焊盘)



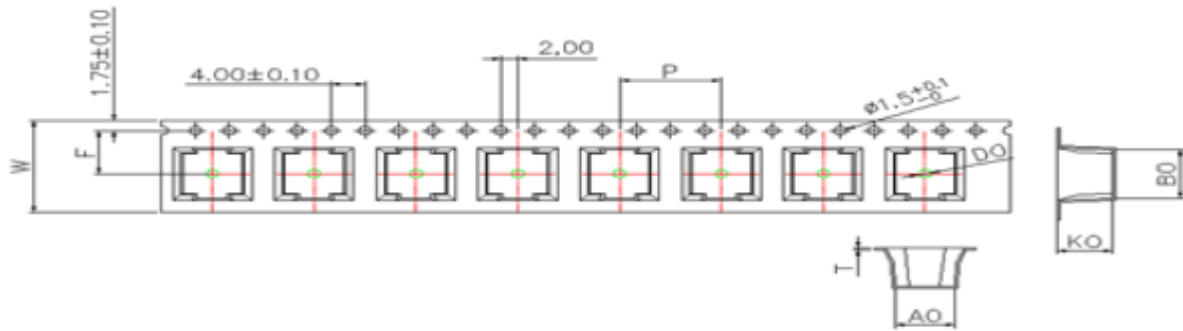
A	5.0
B	6.0
C	16.0

Unit: mm

Packaging Information (包装信息)



TYPE	A	B	C	D	E	F
24mm	330	100	21.0±0.8	13 ^{+0.5} / _{-0.2}	24±0.3	30.4



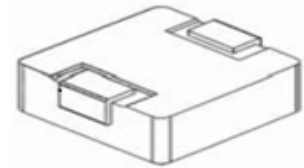
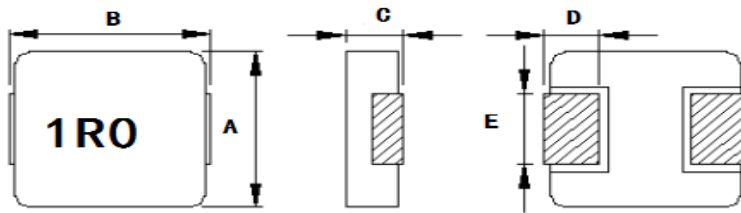
Q'TY (PCS)	A0	B0	KO	W	P	T
500	13.3±0.3	14.8±0.3	5.3±0.1	24.0±0.3	16.0±0.1	0.35±0.05

+

- ①一卷包装:500Pcs;
- ② 小箱装两卷:一共1000Pcs;
- ③ 大箱装三小箱: 一共3000Pcs.



SMD POWER INDUCTORS: SPD1265T Series



Series	A (mm)	B (mm)	C (mm)	D (mm)	E (mm)
SPD1265T	12.8±0.5	13.5±1.0	6.5MAX	2.5±0.5	3.5±0.5

Part Number	L0 Inductance (µH) ±20%	Heat Rating Current I _{rms} (A)	Saturation Current I _{sat} (A)	DCR (mΩ)	
				TYP.	MAX.
SPD1265T-R15M-CT□	0.15	55.0	118.0	0.5	0.6
SPD1265T-R22M-CT□	0.22	53.0	112.0	0.5	0.6
SPD1265T-R30M-CT□	0.3	48.0	72.0	0.6	0.7
SPD1265T-R33M-CT□	0.33	46.0	68.0	0.7	0.8
SPD1265T-R36M-CT□	0.36	45.0	66.0	0.7	0.9
SPD1265T-R40M-CT□	0.4	44.0	64.0	0.7	1.0
SPD1265T-R47M-CT□	0.47	41.0	63.0	0.9	1.2
SPD1265T-R50M-CT□	0.5	40.0	60.0	0.9	1.3
SPD1265T-R56M-CT□	0.56	37.0	58.0	1.1	1.2
SPD1265T-R68M-CT□	0.68	35.0	55.0	1.3	1.5
SPD1265T-R82M-CT□	0.82	33.0	50.0	1.5	1.9
SPD1265T-1R0M-CT□	1	30.0	48.0	1.7	2.3
SPD1265T-1R2M-CT□	1.2	28.0	47.0	1.9	2.4
SPD1265T-1R5M-CT□	1.5	27.0	45.0	2.5	3.0
SPD1265T-1R8M-CT□	1.8	24.0	40.0	3.6	4.0
SPD1265T-2R2M-CT□	2.2	22.0	37.0	3.8	4.2
SPD1265T-2R7M-CT□	2.7	20.0	32.0	4.3	5.5
SPD1265T-3R3M-CT□	3.3	18.0	30.0	5.7	6.8
SPD1265T-4R7M-CT□	4.7	13.5	28.0	7.0	8.4
SPD1265T-5R6M-CT□	5.6	12.5	23.0	8.5	10.0
SPD1265T-6R8M-CT□	6.8	11.5	18.0	9.5	11.5
SPD1265T-8R2M-CT□	8.2	10.5	16.0	12.0	15.5
SPD1265T-100M-CT□	10	10.0	15.5	13.2	16.5
SPD1265T-130M-CT□	13	9.0	13.0	21.0	24.0
SPD1265T-150M-CT□	15	9.0	13.0	23.2	28.0

SPD1265T-220M-CT□	22	9.0	12.0	32.5	37.0
SPD1265T-330M-CT□	33	8.0	11.0	48.0	58.0
SPD1265T-470M-CT□	47	6.5	9.5	76.0	90.0
SPD1265T-680M-CT□	68	4.8	7.8	110.0	130.0
SPD1265T-101M-CT□	100	4.2	5.5	145.0	165.0

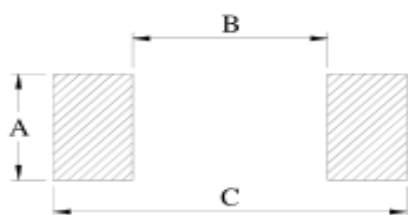
NOTES:

1. All test data is referenced to 25°C ambient
 2. Operating Temperature Range -55°C to +125°C
 3. Irms : DC current (A) that will cause an approximate ΔT of 40°C
 4. Isat : DC current (A) that will cause Lo to drop approximately 30%
 5. Test Frequency: 100KHZ,1.0V
-

SMD POWER INDUCTORS:

SPD1265T Series

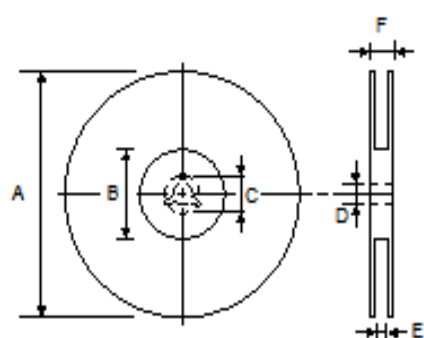
Recommend Land Pattern Dimensions (推荐焊盘)



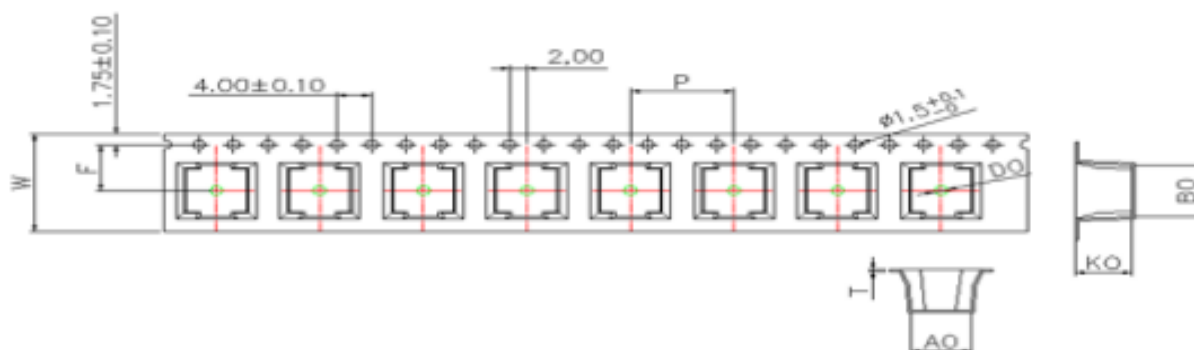
A	5.0
B	6.0
C	16.0

Unit: mm

Packaging Information (包装信息)



TYPE	A	B	C	D	E	F
24mm	330	100	21.0±0.8	13 ^{+0.5} / _{-0.2}	24±0.3	30.4



Q'TY(PCS)	A0	B0	KO	W	P	T
500	13.3±0.3	14.8±0.3	7.0±0.1	24.0±0.3	16.0±0.1	0.35±0.05

- ①一卷包装:500Pcs;
- ② 小箱装两卷:一共1000Pcs;
- ③ 大箱装三小箱: 一共3000Pcs.