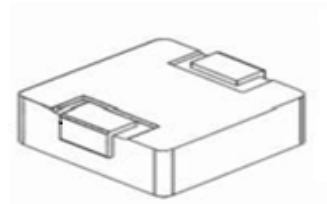
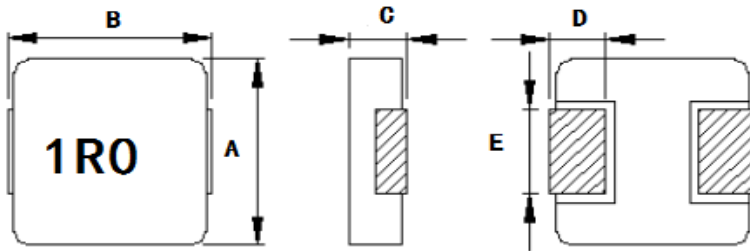




SMD POWER INDUCTORS:

SPD0520 Series



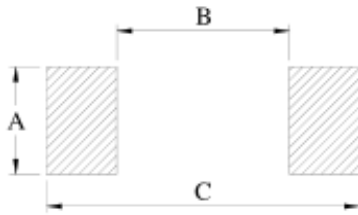
Series	A (mm)	B (mm)	C (mm)	D (mm)	E (mm)
SPD0520	5.3MAX	5.6±0.3	2.0MAX	1.2±0.3	2.0±0.3

Part Number	L0 Inductance (μH) ±20%	Heat Rating Current Irms (A)	Saturation Current Isat (A)	DCR (mΩ)	
				TYP.	MAX.
SPD0520-1R0M-CT	1	7.0	8.0	17.0	19.2
SPD0520-1R5M-CT	1.5	5.0	7.0	21.0	28.0
SPD0520-2R2M-CT	2.2	4.0	6.0	31.0	45.0
SPD0520-3R3M-CT	3.3	3.5	5.0	58.0	70.0
SPD0520-4R7M-CT	4.7	3.0	3.5	66.0	85.0
SPD0520-6R8M-CT	6.8	2.0	3.0	95.0	100.0
SPD0520-100M-CT	10	1.8	2.5	170.0	190.0

NOTES:

1. All test data is referenced to 25°C ambient
2. Operating Temperature Range -55°C to +125°C
3. Irms : DC current (A) that will cause an approximate ΔT of 40°C
4. Isat : DC current (A) that will cause Lo to drop approximately 30%
5. Test Frequency: 100KHZ,1.0V

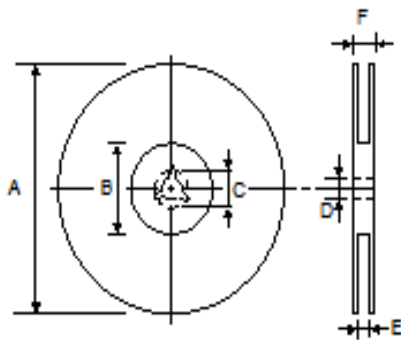
Recommend Land Pattern Dimensions (推荐焊盘)



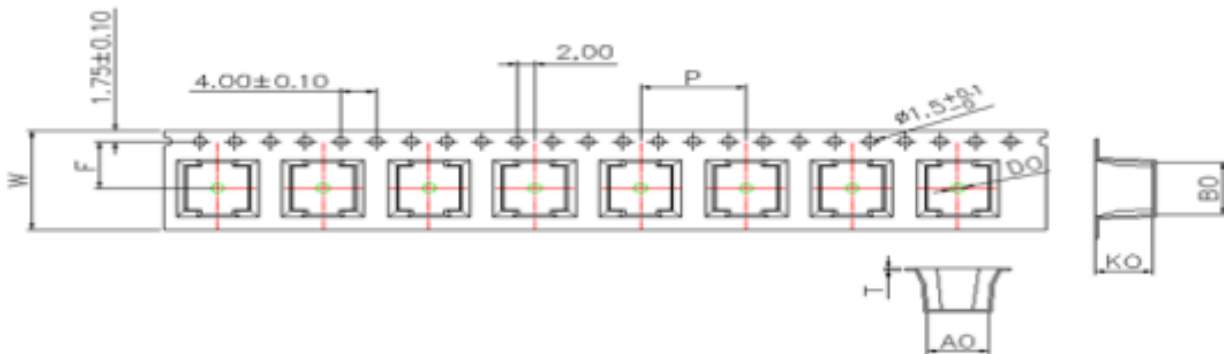
A	2.50
B	3.00
C	7.00

Unit : mm

Packaging Information (包装信息)



TYPE	A	B	C	D	E	F
12mm	330	100	21.0±0.8	13 ^{+0.5} / _{-0.2}	12.0±0.3	18.4

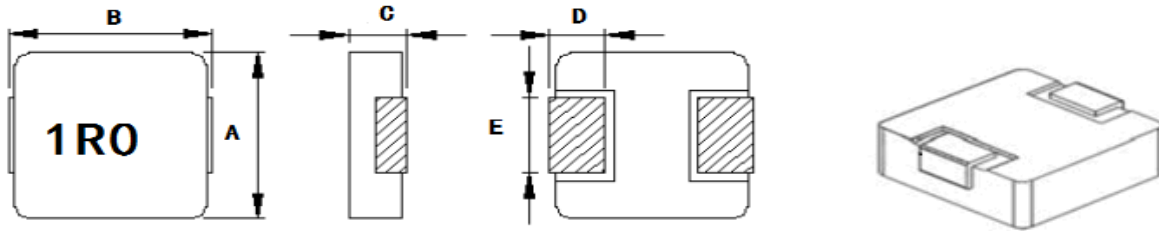


QTY (PCS)	A0	B0	KO	W	P	T
2500/3000	5.4±0.1	6.0±0.1	2.2±0.1	12.0±0.3	8.0±0.1	0.30±0.05

- ① 一卷包装: 2500Pcs / 3000Pcs;
- ② 小箱装两卷: 一共5000Pcs / 6000Pcs;
- ③ 大箱装三小箱: 一共15000Pcs / 18000pcs.



SMD POWER INDUCTORS: SPD0530 Series



Series	A (mm)	B (mm)	C (mm)	D (mm)	E (mm)
SPD0530	5.3MAX	5.6±0.3	3.0MAX	1.2±0.3	2.0±0.3

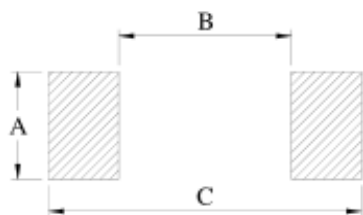
Part Number	L0 Inductance (μH) ±20%	Heat Rating Current Irms (A)	Saturation Current Isat (A)	DCR (mΩ)	
				TYP.	MAX.
SPD0530-1R0M-CT	1.0	7.0	11.0	14.0	16.0
SPD0530-1R5M-CT	1.5	5.5	10.0	17.0	22.0
SPD0530-2R2M-CT	2.2	5.0	9.0	27.0	30.0
SPD0530-3R3M-CT	3.3	4.5	7.0	33.0	38.0
SPD0530-4R7M-CT	4.7	4.0	5.0	45.0	60.0
SPD0530-6R8M-CT	6.8	2.5	3.5	77.0	90.0
SPD0530-100M-CT	10	2.0	3.0	110.0	130.0
SPD0530-150M-CT	15	1.8	2.0	185.0	220.0
SPD0530-220M-CT	22	1.5	1.5	220.0	240.0

NOTES:

1. All test data is referenced to 25°C ambient
2. Operating Temperature Range -55°C to +125°C
3. Irms : DC current (A) that will cause an approximate ΔT of 40°C
4. Isat : DC current (A) that will cause Lo to drop approximately 30%
5. Test Frequency: 100KHZ,1.0V

SMD POWER INDUCTORS: SPD0530 Series

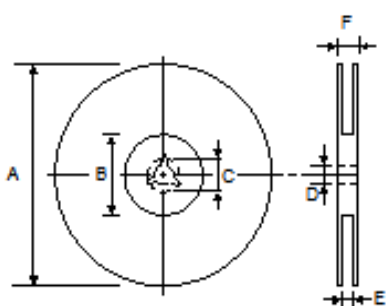
Recommend Land Pattern Dimensions (推荐焊盘)



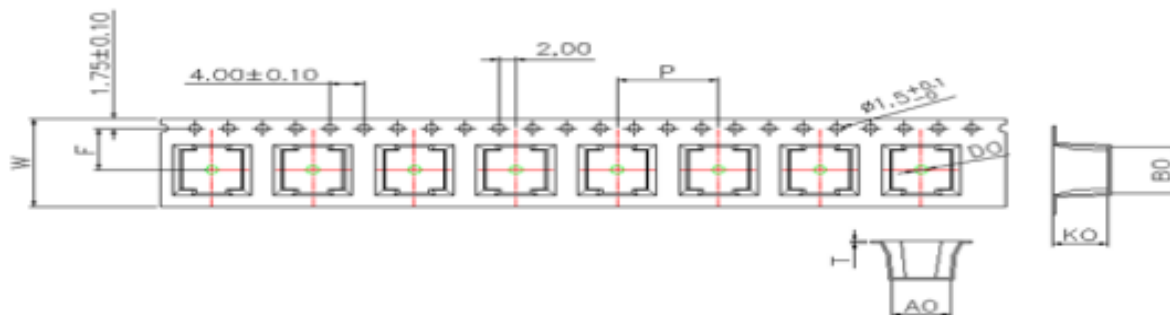
A	2.50
B	3.00
C	7.00

Unit : mm

Packaging Information (包装信息)



TYPE	A	B	C	D	E	F
12mm	330	100	21.0±0.8	13 ^{+0.5} / _{-0.2}	12.0±0.3	18.4

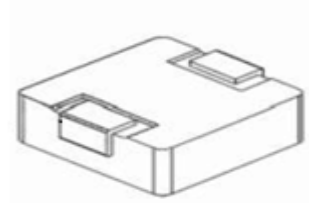
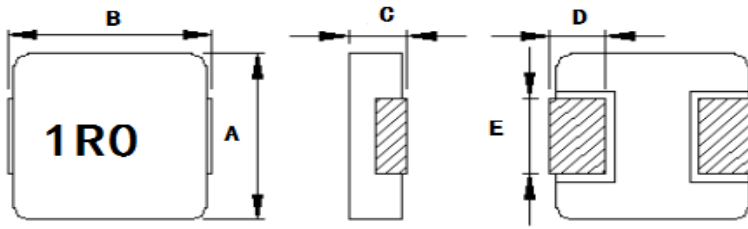


QTY (PCS)	A0	B0	KO	W	P	T
2000/2500	5.4±0.1	6.0±0.1	3.2±0.1	12.0±0.3	8.0±0.1	0.30±0.05

- ① 一卷包装:2000Pcs / 2500Pcs;
- ② 小箱装两卷:一共4000Pcs / 5000Pcs;
- ③ 大箱装三小箱:一共12000Pcs / 15000Pcs.



SMD POWER INDUCTORS: SPD0624 Series



Series	A (mm)	B (mm)	C (mm)	D (mm)	E (mm)
SPD0624	6.6 ± 0.3	7.6MAX	2.4MAX	1.6 ± 0.5	3.0 ± 0.3

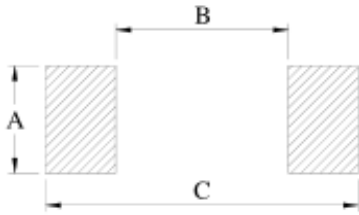
Part Number	L0 Inductance (μH) ±20%	Heat Rating Current Irms (A)	Saturation Current Isat (A)	DCR (mΩ)	
				TYP.	MAX.
SPD0624-R22M-CT	0.22	20.0	34.0	2.2	2.8
SPD0624-R33M-CT	0.33	18.0	24.0	3.0	4.1
SPD0624-R47M-CT	0.47	15.0	21.0	5.6	6.8
SPD0624-R68M-CT	0.68	9.0	20.0	7.0	8.0
SPD0624-1R0M-CT	1.0	8.0	13.0	9.0	12.0
SPD0624-1R5M-CT	1.5	7.0	12.0	15.0	20.0
SPD0624-2R2M-CT	2.2	6.0	11.0	22.0	28.0
SPD0624-3R3M-CT	3.3	5.5	8.5	25.0	30.0
SPD0624-4R7M-CT	4.7	5.0	8.0	55.0	65.0
SPD0624-6R8M-CT	6.8	3.0	5.0	80.0	90.0
SPD0624-100M-CT	10.0	3.0	4.0	100.0	125.0

NOTES:

1. All test data is referenced to 25°C ambient
2. Operating Temperature Range -55°C to +125°C
3. Irms : DC current (A) that will cause an approximate ΔT of 40°C
4. Isat : DC current (A) that will cause Lo to drop approximately 30%
5. Test Frequency: 100KHZ,1.0V

SMD POWER INDUCTORS: SPD0624 Series

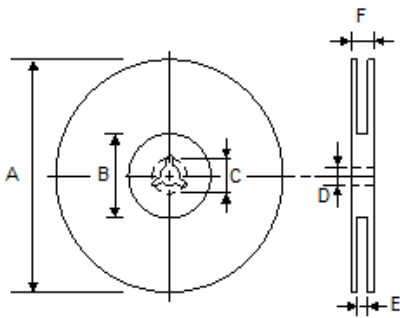
Recommend Land Pattern Dimensions (推荐焊盘)



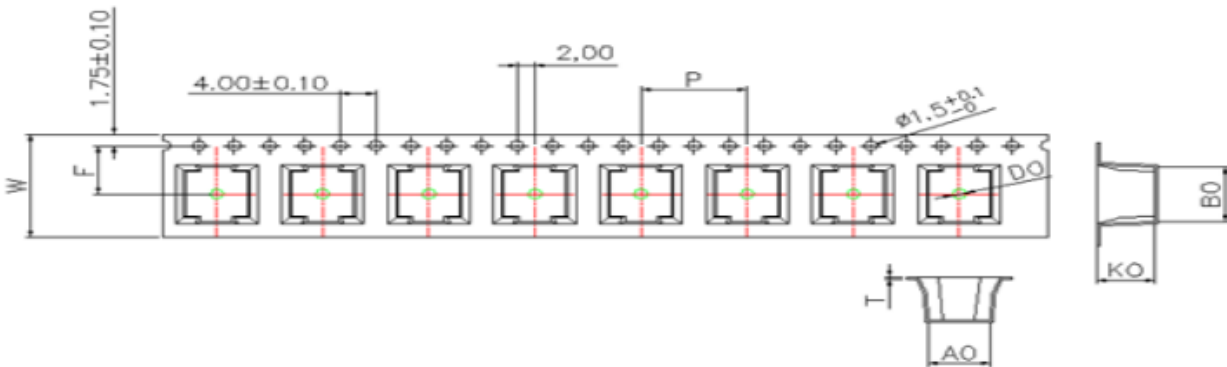
A	3.50
B	2.50
C	8.40

Unit : mm

Packaging Information (包装信息)



TYPE	A	B	C	D	E	F
16mm	330	100	21.0±0.8	13 ^{+0.5} / _{-0.2}	16±0.3	22.4

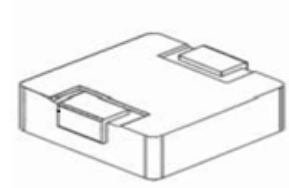
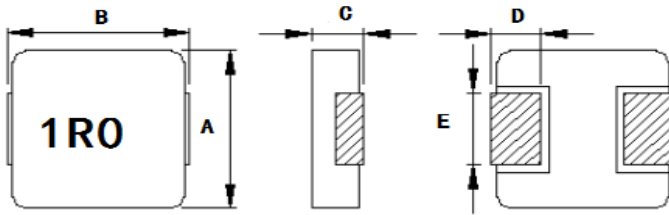


Q'TY (PCS)	A0	B0	KO	W	P	T
1500	7.0±0.1	7.8±0.1	2.6±0.1	16.0±0.3	12.0±0.1	0.35±0.05

- ①一卷包装:1500Pcs;
- ②小箱装两卷:一共3000Pcs;
- ③大箱装三小箱:一共9000Pcs.



SMD POWER INDUCTORS: SPD0630 Series



Series	A (mm)	B (mm)	C (mm)	D (mm)	E (mm)
SPD0630	6.6±0.3	7.6MAX	3.0MAX	1.6±0.5	3.0±0.3

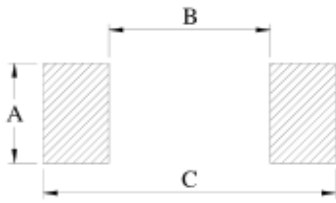
Part Number	L0 Inductance (µH) ±20%	Heat Rating Current Irms (A)	Saturation Current Isat (A)	DCR (mΩ)	
				TYP.	MAX.
SPD0630-R10M-CT	0.1	32.5	60.0	1.2	1.7
SPD0630-R15M-CT	0.15	30.0	40.0	2.0	2.5
SPD0630-R22M-CT	0.22	23.0	34.0	2.7	3.5
SPD0630-R33M-CT	0.33	21.0	25.0	3.2	3.9
SPD0630-R47M-CT	0.47	17.5	24.0	3.7	4.5
SPD0630-R68M-CT	0.68	14.0	23.0	4.8	5.5
SPD0630-R82M-CT	0.82	13.0	20.0	6.8	7.0
SPD0630-1R0M-CT	1	11.0	16.0	7.5	9.0
SPD0630-1R5M-CT	1.5	10.0	14.0	11.0	15.0
SPD0630-2R2M-CT	2.2	8.0	12.0	15.0	20.0
SPD0630-3R3M-CT	3.3	6.0	10.0	25.0	30.0
SPD0630-4R7M-CT	4.7	5.5	9.0	37.0	40.0
SPD0630-5R6M-CT	5.6	5.0	7.0	50.0	60.0
SPD0630-6R8M-CT	6.8	4.5	6.0	50.0	60.0
SPD0630-8R2M-CT	8.2	4.0	6.0	60.0	68.0
SPD0630-100M-CT	10	3.0	5.0	60.0	68.0
SPD0630-150M-CT	15	2.8	4.0	100.0	130.0
SPD0630-220M-CT	22	2.5	3.5	127.0	150.0
SPD0630-330M-CT	33	1.8	2.0	218.0	245.0
SPD0630-470M-CT	47	1.5	1.8	275.0	300.0

NOTES:

1. All test data is referenced to 25°C ambient
 2. Operating Temperature Range -55°C to +125°C
 3. Irms : DC current (A) that will cause an approximate ΔT of 40°C
 4. Isat : DC current (A) that will cause Lo to drop approximately 30%
 5. Test Frequency: 100KHZ,1.0V
-

SMD POWER INDUCTORS: SPD0630 Series

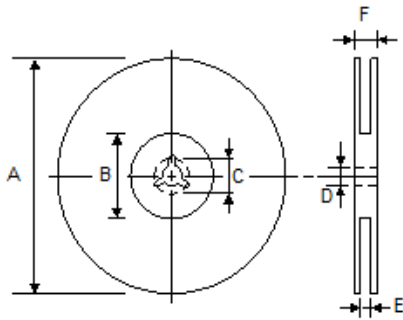
Recommend Land Pattern Dimensions (推荐焊盘)



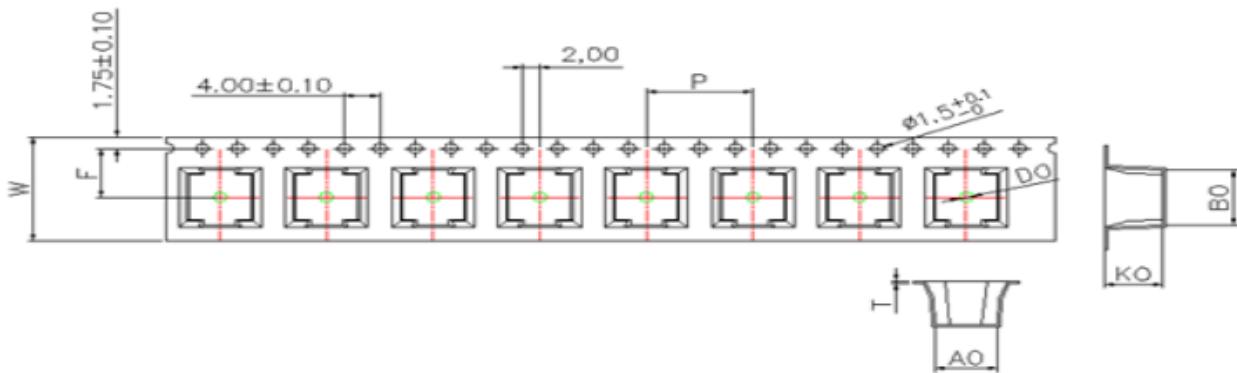
A	3.50
B	2.50
C	8.40

Unit : mm

Packaging Information (包装信息)



TYPE	A	B	C	D	E	F
16mm	330	100	21.0±0.8	13 ^{+0.5} / _{-0.2}	16±0.3	22.4

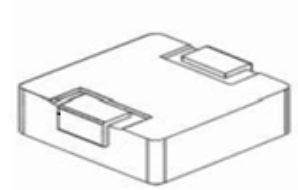
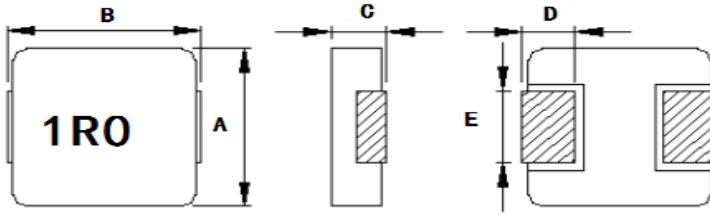


Q'TY (PCS)	A0	B0	KO	W	P	T
1000	7.0±0.1	7.8±0.1	3.2±0.1	16.0±0.3	12.0±0.1	0.35±0.05

- ① 一卷包装: 1000Pcs;
- ② 小箱装两卷: 一共2000Pcs;
- ③ 大箱装三小箱: 一共6000Pcs.



SMD POWER INDUCTORS: SPD0640 Series



Series	A (mm)	B (mm)	C (mm)	D (mm)	E (mm)
SPD0640	6.6 ± 0.3	7.6 MAX	4.0 MAX	1.6 ± 0.5	3.0 ± 0.3

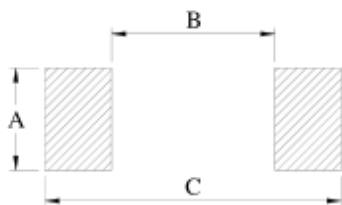
Part Number	L0 Inductance (µH) ± 20%	Heat Rating Current Irms (A)	Saturation Current Isat (A)	DCR (mΩ)	
				TYP.	MAX.
SPD0640-R22M-CT	0.22	23.0	35.0	2.5	3.0
SPD0640-R33M-CT	0.33	21.0	25.0	2.8	3.5
SPD0640-R47M-CT	0.47	17.0	23.0	3.7	4.5
SPD0640-R68M-CT	0.68	14.0	20.0	4.2	5.5
SPD0640-1R0M-CT	1	10.0	18.0	5.5	7.0
SPD0640-1R5M-CT	1.5	9.0	15.0	9.0	12.0
SPD0640-2R2M-CT	2.2	8.0	12.0	10.0	13.0
SPD0640-3R3M-CT	3.3	6.5	11.0	17.0	20.0
SPD0640-4R7M-CT	4.7	6.0	8.0	22.0	25.0
SPD0640-6R8M-CT	6.8	5.0	7.0	41.0	45.0
SPD0640-8R2M-CT	8.2	4.0	7.0	46.0	52.0
SPD0640-100M-CT	10	3.5	6.0	53.0	65.0
SPD0640-150M-CT	15	3.0	4.5	70.0	80.0
SPD0640-220M-CT	22	2.5	4.0	100.0	120.0
SPD0640-330M-CT	33	2.0	3.0	165.0	200.0
SPD0640-470M-CT	47	1.5	2.0	220.0	260.0

NOTES:

1. All test data is referenced to 25°C ambient
 2. Operating Temperature Range -55°C to +125°C
 3. I_{rms} : DC current (A) that will cause an approximate ΔT of 40°C
 4. I_{sat} : DC current (A) that will cause L_o to drop approximately 30%
 5. Test Frequency: 100KHZ,1.0V
-

SMD POWER INDUCTORS: SPD0640 Series

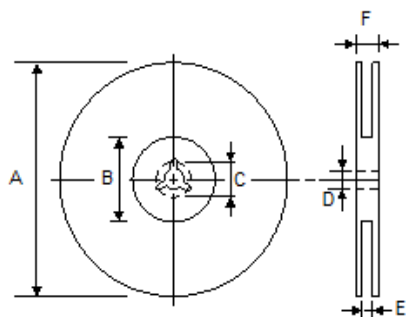
Recommend Land Pattern Dimensions (推荐焊盘)



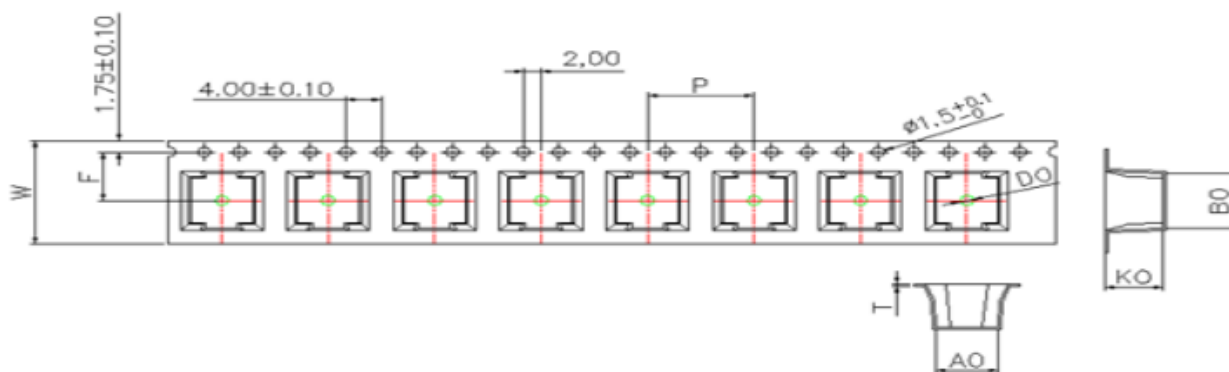
A	3.50
B	2.50
C	8.40

Unit : mm

Packaging Information (包装信息)



TYPE	A	B	C	D	E	F
16mm	330	100	21.0±0.8	13 ^{+0.5} / _{-0.2}	16±0.3	22.4

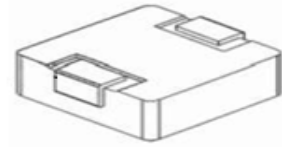
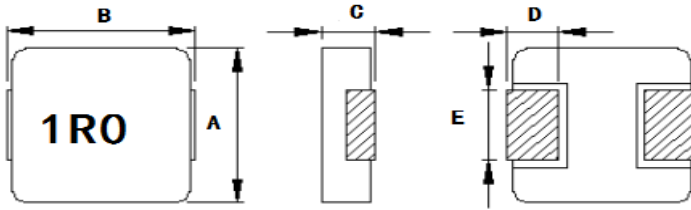


Q'TY (PCS)	A0	B0	KO	W	P	T
1000	7.0±0.1	7.8±0.1	4.2±0.1	16.0±0.3	12.0±0.1	0.35±0.05

- ① 一卷包装: 1000Pcs;
- ② 小箱装两卷: 一共2000Pcs;
- ③ 大箱装三小箱: 一共6000Pcs.



SMD POWER INDUCTORS: SPD0650 Series



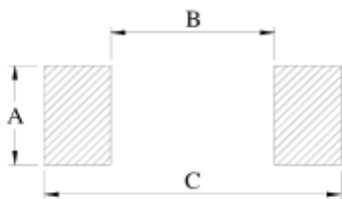
Series	A (mm)	B (mm)	C (mm)	D (mm)	E (mm)
SPD0650	6.6±0.3	7.6MAX	5.0MAX	1.6±0.5	3.0±0.3
Part Number	L0 Inductance (μH) ±20%	Heat Rating Current I _{rms} (A)	Saturation Current I _{sat} (A)	DCR (mΩ)	
				TYP.	MAX.
SPD0650-R15M-CT	0.15	36.0	45.0	0.8	1.0
SPD0650-R22M-CT	0.22	25.0	43.0	2.3	3.0
SPD0650-R33M-CT	0.33	23.0	35.0	2.8	3.5
SPD0650-R47M-CT	0.47	18.0	24.0	3.5	4.5
SPD0650-R68M-CT	0.68	14.0	21.0	4.2	5.5
SPD0650-R82M-CT	0.82	14.0	20.0	5.5	7.0
SPD0650-1R0M-CT	1	12.0	18.0	6.5	7.5
SPD0650-1R5M-CT	1.5	10.0	15.0	7.0	8.5
SPD0650-2R2M-CT	2.2	8.0	12.0	10.5	13.0
SPD0650-3R3M-CT	3.3	7.0	9.0	14.0	20.0
SPD0650-4R7M-CT	4.7	6.5	8.0	21.0	25.0
SPD0650-6R8M-CT	6.8	5.0	7.0	28.0	36.0
SPD0650-8R2M-CT	8.2	4.5	6.0	37.0	45.0
SPD0650-100M-CT	10	4.0	5.5	49.0	60.0
SPD0650-150M-CT	15	3.5	5.0	65.0	75.0
SPD0650-220M-CT	22	3.0	4.0	80.0	90.0
SPD0650-330M-CT	33	2.5	3.0	128.0	180.0
SPD0650-470M-CT	47	2.0	2.5	195.0	240.0
SPD0650-560M-CT	56	1.5	2.0	210.0	260.0
SPD0650-680M-CT	68	1.3	1.8	265.0	310.0
SPD0650-101M-CT	100	1.0	1.5	365.0	370.0

NOTES:

1. All test data is referenced to 25°C ambient
 2. Operating Temperature Range -55°C to +125°C
 3. Irms : DC current (A) that will cause an approximate ΔT of 40°C
 4. Isat : DC current (A) that will cause Lo to drop approximately 30%
 5. Test Frequency: 100KHZ,1.0V
-

SMD POWER INDUCTORS: SPD0650 Series

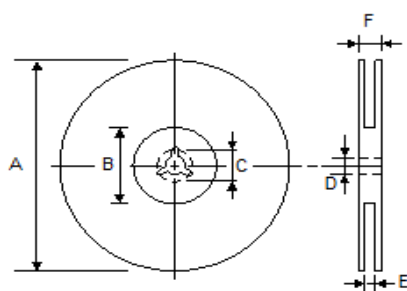
Recommend Land Pattern Dimensions (推荐焊盘)



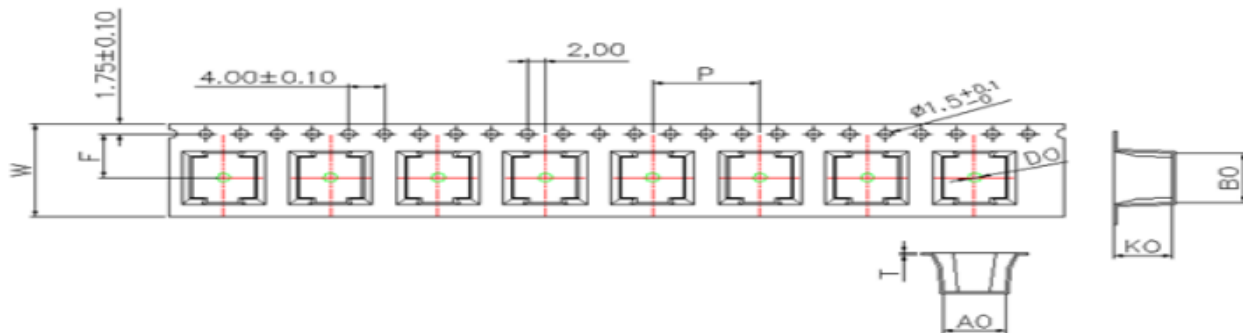
A	3.50
B	2.50
C	8.40

Unit : mm

Packaging Information (包装信息)



TYPE	A	B	C	D	E	F
16mm	330	100	21.0±0.8	13 ^{+0.5} / _{-0.2}	16±0.3	22.4

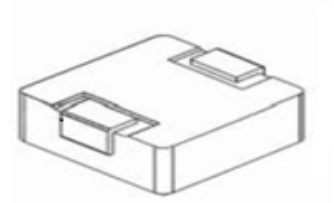
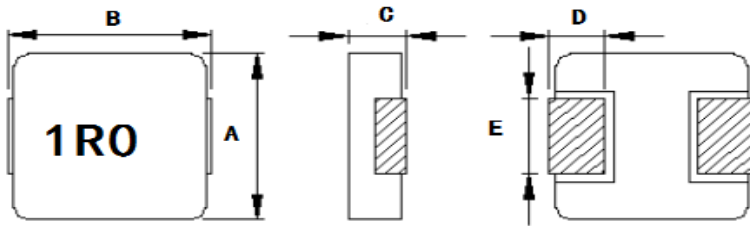


Q'TY (PCS)	A0	B0	KO	W	P	T
1000	7.0±0.1	7.8±0.1	5.2±0.1	16.0±0.3	12.0±0.1	0.35±0.05

①一卷包装:1000Pcs;



SMD POWER INDUCTORS: SPD1030/35 Series



Series	A (mm)	B (mm)	C (mm)	D (mm)	E (mm)
SPD1030/35	10.8MAX	11.8MAX	3.0MAX/3.5MAX	2.0±0.5	3.0±0.3

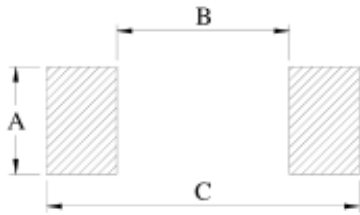
Part Number	L0 Inductance (μH) ±20%	Heat Rating Current Irms (A)	Saturation Current Isat (A)	DCR (mΩ)	
				TYP.	MAX.
SPD1030-R36M-CT	0.36	23.0	35.0	1.4	1.6
SPD1030-R56M-CT	0.56	18.0	24.0	1.5	1.7
SPD1030-R68M-CT	0.68	17.0	23.0	2.6	3.2
SPD1030-1R0M-CT	1	13.0	18.0	5.0	7.0
SPD1030-1R5M-CT	1.5	10.0	16.0	7.0	9.0
SPD1030-2R2M-CT	2.2	9.0	14.0	10.0	12.0
SPD1030-3R3M-CT	3.3	7.0	9.0	15.0	20.0
SPD1030-4R7M-CT	4.7	6.0	8.5	20.0	25.0
SPD1030-6R8M-CT	6.8	5.0	7.0	33.0	40.0
SPD1030-8R2M-CT	8.2	4.0	6.0	47.0	55.0
SPD1030-100M-CT	10	4.0	5.0	50.0	56.0
SPD1035-150M-CT	15	3.5	4.0	65.0	70.0

NOTES:

1. All test data is referenced to 25°C ambient
2. Operating Temperature Range -55°C to +125°C
3. Irms : DC current (A) that will cause an approximate ΔT of 40°C
4. Isat : DC current (A) that will cause Lo to drop approximately 30%
5. Test Frequency: 100KHZ,1.0V

SMD POWER INDUCTORS: SPD1030/35 Series

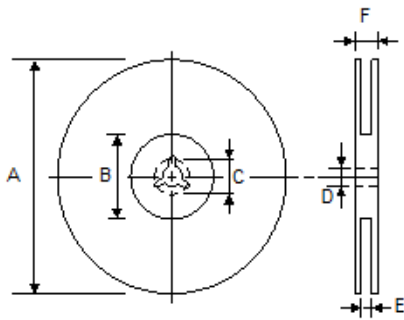
Recommend Land Pattern Dimensions (推荐焊盘)



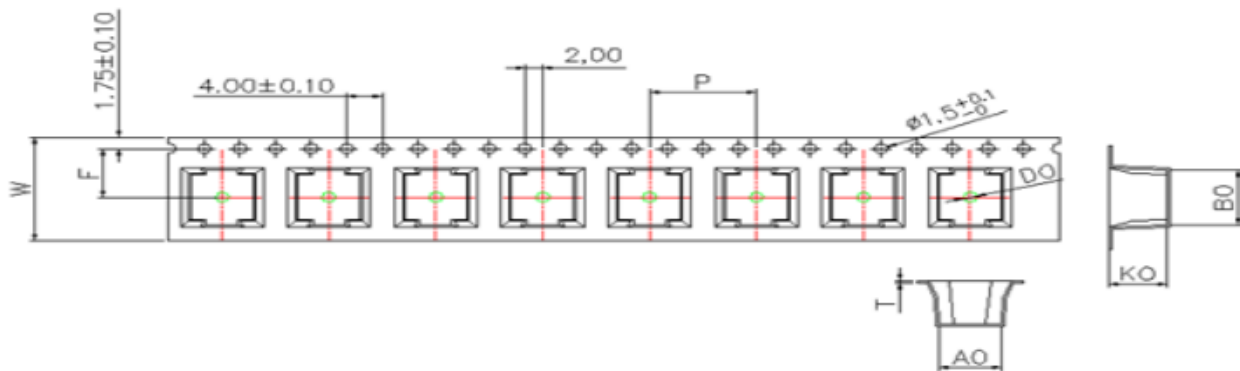
A	4.10
B	5.40
C	13.60

Unit : mm

Packaging Information (包装信息)



TYPE	A	B	C	D	E	F
24mm	330	100	21.0±0.8	13 ^{+0.5} / _{-0.2}	24±0.3	30.4

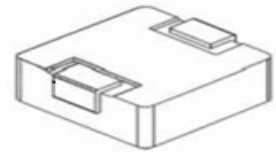
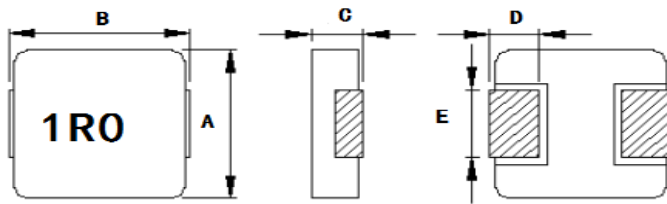


Q'TY (PCS)	A0	B0	KO	W	P	T
1000	10.7±0.1	12.0±0.1	3.2±0.1	24.0±0.3	16.0±0.1	0.35±0.05

- ① 一卷包装: 1000Pcs;
- ② 小箱装两卷: 一共2000Pcs;
- ③ 大箱装三小箱: 一共6000Pcs.



SMD POWER INDUCTORS: SPD1040/45 Series



Series	A (mm)	B (mm)	C (mm)	D (mm)	E (mm)
SPD1040/45	10.8MAX	11.8MAX	4.0MAX/4.5MAX	2.0±0.5	3.0±0.3

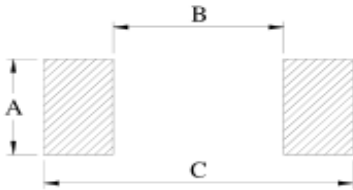
Part Number	L0 Inductance (μH) ±20%	Heat Rating Current Irms (A)	Saturation Current Isat (A)	DCR (mΩ)	
				TYP.	MAX.
SPD1040-R22M-CT	0.22	30.0	60.0	0.8	1.1
SPD1040-R36M-CT	0.36	28.0	50.0	1.1	1.4
SPD1040-R47M-CT	0.47	25.0	35.0	1.2	1.5
SPD1040-R56M-CT	0.56	23.0	33.0	1.5	1.7
SPD1040-R68M-CT	0.68	22.0	32.0	1.8	2.3
SPD1040-R82M-CT	0.82	20.0	30.0	2.3	2.5
SPD1040-1R0M-CT	1	18.0	28.0	3.2	4.1
SPD1040-1R5M-CT	1.5	16.0	25.0	4.8	5.8
SPD1040-2R2M-CT	2.2	12.0	24.0	7.2	9.0
SPD1040-3R3M-CT	3.3	11.0	16.0	10.0	13.5
SPD1040-4R7M-CT	4.7	8.0	13.0	13.5	16.5
SPD1040-5R6M-CT	5.6	7.0	12.0	18.0	22.0
SPD1040-6R8M-CT	6.8	6.0	11.0	23.0	28.0
SPD1040-8R2M-CT	8.2	5.5	10.0	27.0	30.0
SPD1040-100M-CT	10	5.0	9.0	31.0	36.5
SPD1040/45-150M-CT	15	4.5	7.0	39.0	45.0
SPD1040/45-220M-CT	22	4.0	6.0	55.0	60.0
SPD1040/45-330M-CT	33	3.5	5.0	127.0	145.0
SPD1040/45-470M-CT	47	3.0	4.0	127.0	145.0
SPD1045-680M-CT	68	2.5	3.5	200.0	215.0
SPD1045-101M-CT	100	2.0	3.0	242.0	280.0

NOTES:

1. All test data is referenced to 25°C ambient
2. Operating Temperature Range -55°C to +125°C
3. Irms : DC current (A) that will cause an approximate ΔT of 40°C
4. Isat : DC current (A) that will cause Lo to drop approximately 30%
5. Test Frequency: 100KHZ,1.0V

SMD POWER INDUCTORS: SPD1040/45 Series

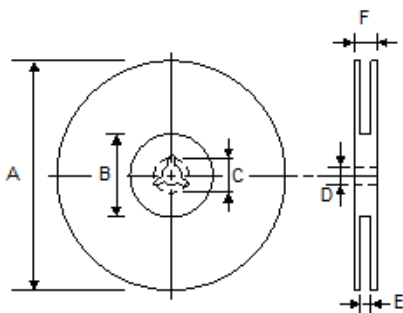
Recommend Land Pattern Dimensions (推荐焊盘)



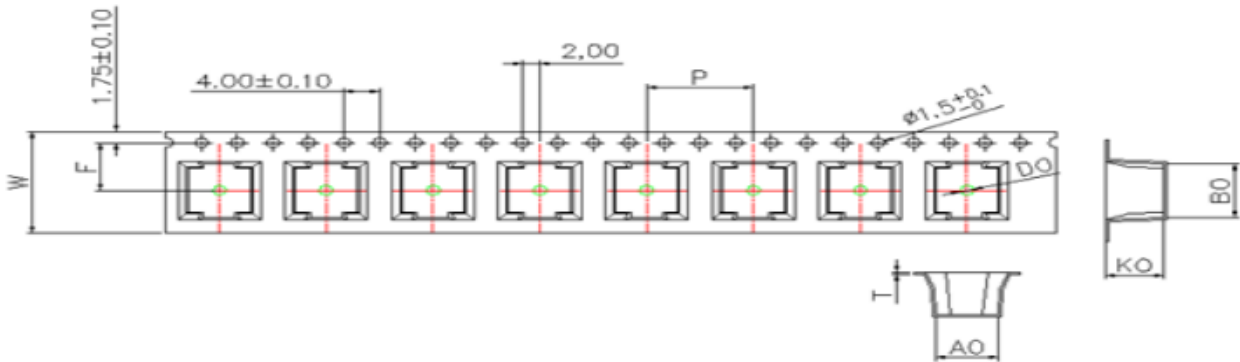
A	4.10
B	5.40
C	13.60

Unit : mm

Packaging Information (包装信息)



TYPE	A	B	C	D	E	F
24mm	330	100	21.0±0.8	13 ^{+0.5} / _{-0.2}	24±0.3	30.4



Q'TY (PCS)	A0	B0	KO	W	P	T
800/1000	10.7±0.1	12.0±0.1	4.5±0.1	24.0±0.3	16.0±0.1	0.35±0.05

CET1040 Series:

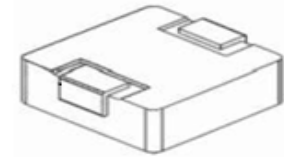
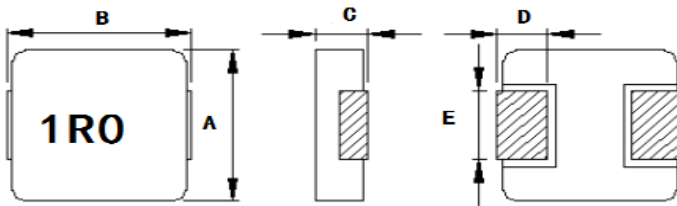
- ① 一卷包装:1000Pcs;
- ② 小箱装两卷:一共2000Pcs;
- ③ 大箱装三小箱: 一共6000Pcs.

CET1045 Series:

- ① 一卷包装:800Pcs;
- ② 小箱装两卷:一共1600Pcs;
- ③ 大箱装三小箱: 一共4800Pcs.



SMD POWER INDUCTORS: SPD1050 Series



Series	A (mm)	B (mm)	C (mm)	D (mm)	E (mm)
SPD1050	10.8MAX	11.8MAX	5.0MAX	2.0±0.5	3.0±0.3

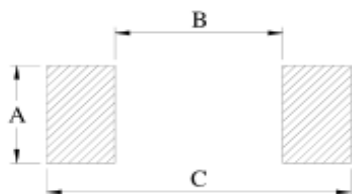
Part Number	L0 Inductance (µH) ±20%	Heat Rating Current Irms (A)	Saturation Current Isat (A)	DCR (mΩ)	
				TYP.	MAX.
SPD1050-R36M-CT	0.36	38.0	55.0	0.9	1.1
SPD1050-R47M-CT	0.47	36.0	50.0	1.1	1.3
SPD1050-R68M-CT	0.68	25.0	40.0	1.6	2.0
SPD1050-R82M-CT	0.82	20.0	34.0	2.0	2.5
SPD1050-1R0M-CT	1	19.0	30.0	2.3	2.7
SPD1050-1R5M-CT	1.5	18.0	25.0	3.9	4.6
SPD1050-2R2M-CT	2.2	17.0	20.0	4.7	5.5
SPD1050-3R3M-CT	3.3	10.0	16.0	5.8	7.0
SPD1050-4R7M-CT	4.7	9.0	15.0	10.0	13.0
SPD1050-6R8M-CT	6.8	8.0	13.0	17.0	22.0
SPD1050-8R2M-CT	8.2	7.0	11.0	22.0	25.0
SPD1050-100M-CT	10	6.0	10.0	23.0	28.0
SPD1050-150M-CT	15	5.0	8.0	39.0	45.0
SPD1050-220M-CT	22	4.5	7.0	55.0	60.0
SPD1050-330M-CT	33	4.0	6.0	90.0	100.0
SPD1050-470M-CT	47	3.5	5.0	127.0	145.0
SPD1050-680M-CT	68	3.0	5.0	215.0	258.0
SPD1050-101M-CT	100	2.5	4.0	230.0	270.0

NOTES:

1. All test data is referenced to 25°C ambient
2. Operating Temperature Range -55°C to +125°C
3. Irms : DC current (A) that will cause an approximate ΔT of 40°C
4. Isat : DC current (A) that will cause Lo to drop approximately 30%
5. Test Frequency: 100KHZ,1.0V

SMD POWER INDUCTORS: SPD1050 Series

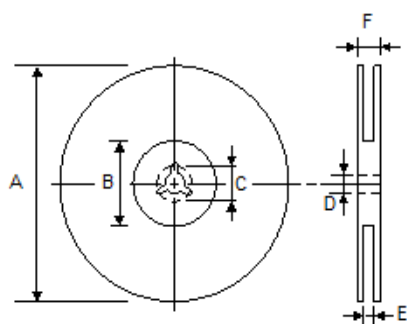
Recommend Land Pattern Dimensions (推荐焊盘)



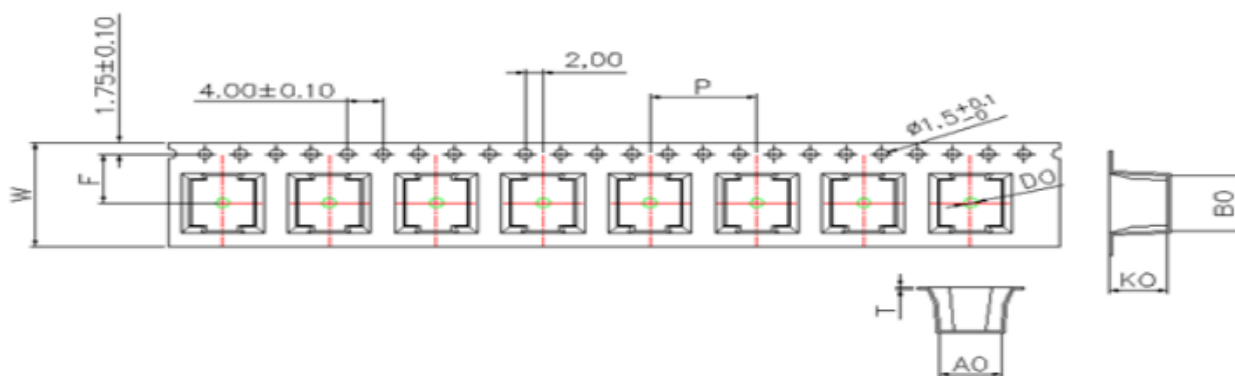
A	4.10
B	5.40
C	13.60

Unit : mm

Packaging Information (包装信息)



TYPE	A	B	C	D	E	F
24mm	330	100	21.0±0.8	13 ^{+0.5} / _{-0.2}	24±0.3	30.4



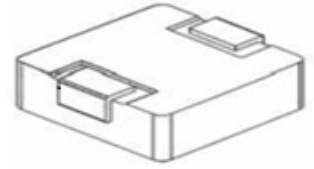
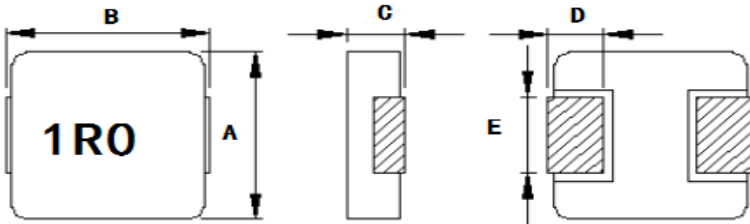
Q'TY (PCS)	A0	B0	KO	W	P	T
500/800	10.7±0.1	12.0±0.1	5.2±0.1	24.0±0.3	16.0±0.1	0.35±0.05

- ① 一卷包装: 500Pcs / 800Pcs;
- ② 小箱装两卷: 一共1000Pcs / 1600Pcs;
- ③ 大箱装三小箱: 一共3000Pcs / 4800Pcs.



SMD POWER INDUCTORS:

SPD1235 Series



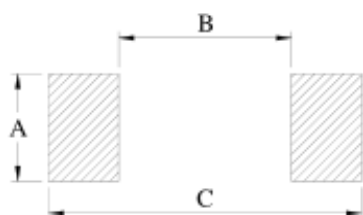
Series	A (mm)	B (mm)	C (mm)	D (mm)	E (mm)
SPD1235	12.8±0.5	13.5±1.0	3.5MAX	2.5±0.5	3.5±0.5

Part Number	L0 Inductance (μH) ±20%	Heat Rating Current Irms (A)	Saturation Current Isat (A)	DCR (mΩ)	
				TYP.	MAX.
SPD1235-R22M-CT	0.22	35.0	60.0	0.9	1.2
SPD1235-R33M-CT	0.33	32.0	55.0	1.1	1.4
SPD1235-R47M-CT	0.47	30.0	50.0	1.3	1.5
SPD1235-R68M-CT	0.68	28.0	49.0	2.1	2.5
SPD1235-1R0M-CT	1	20.0	30.0	3.1	3.5
SPD1235-1R5M-CT	1.5	15.0	24.0	4.5	6.0
SPD1235-2R2M-CT	2.2	14.0	20.0	7.0	8.0
SPD1235-3R3M-CT	3.3	12.0	16.0	10.0	12.0
SPD1235-4R7M-CT	4.7	10.0	14.0	16.0	20.0
SPD1235-6R8M-CT	6.8	8.0	12.0	21.0	25.0
SPD1235-100M-CT	10	6.0	10.0	28.0	35.0
SPD1235-150M-CT	15	4.0	7.0	58.0	70.0
SPD1235-220M-CT	22	3.0	6.0	95.0	110.0

NOTES:

1. All test data is referenced to 25°C ambient
 2. Operating Temperature Range -55°C to +125°C
 3. Irms : DC current (A) that will cause an approximate ΔT of 40°C
 4. Isat : DC current (A) that will cause Lo to drop approximately 30%
 5. Test Frequency: 100KHZ,1.0V
-

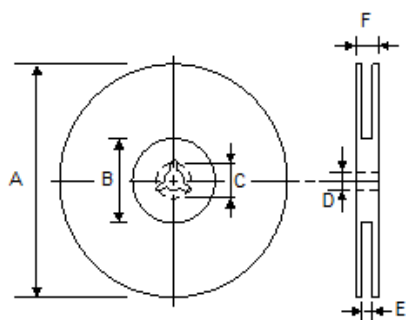
Recommend Land Pattern Dimensions (推荐焊盘)



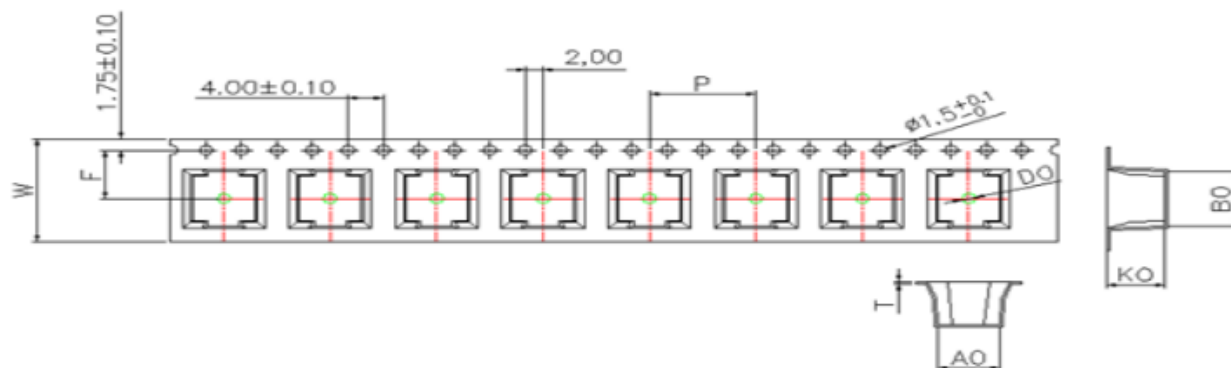
A	5.0
B	6.0
C	16.0

Unit: mm

Packaging Information (包装信息)



TYPE	A	B	C	D	E	F
24mm	330	100	21.0±0.8	13 ^{+0.5} / _{-0.2}	24±0.3	30.4



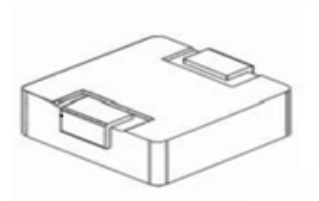
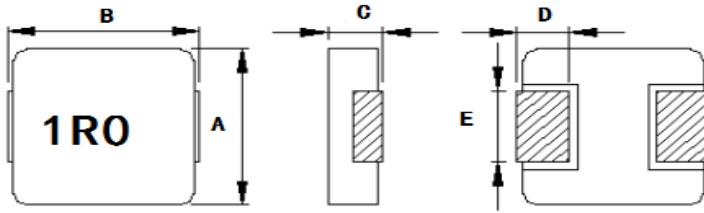
Q'TY (PCS)	A0	B0	KO	W	P	T
800	13.3±0.3	14.8±0.3	3.8±0.1	24.0±0.3	16.0±0.1	0.35±0.05

- ① 一卷包装: 800Pcs;
- ② 小箱装两卷: 一共1600Pcs;
- ③ 大箱装三小箱: 一共4800Pcs.



SMD POWER INDUCTORS:

SPD1240 Series



Series	A (mm)	B (mm)	C (mm)	D (mm)	E (mm)
SPD1240	12.8 ± 0.5	13.5 ± 1.0	4.0 MAX	2.5 ± 0.5	3.5 ± 0.5

Part Number	L0 Inductance (μH) ±20%	Heat Rating Current Irms (A)	Saturation Current Isat (A)	DCR (mΩ)	
				TYP.	MAX.
SPD1240-R22M-CT	0.22	40.0	60.0	0.5	0.7
SPD1240-R33M-CT	0.33	38.0	55.0	0.7	0.9
SPD1240-R47M-CT	0.47	31.0	52.0	1.3	1.5
SPD1240-R68M-CT	0.68	28.0	49.0	2.1	2.5
SPD1240-1R0M-CT	1	20.0	38.0	2.9	3.5
SPD1240-1R5M-CT	1.5	16.0	30.0	3.6	4.5
SPD1240-2R2M-CT	2.2	15.0	22.0	6.5	8.0
SPD1240-3R3M-CT	3.3	14.0	20.0	8.7	10.0
SPD1240-4R7M-CT	4.7	9.0	15.0	12.0	14.0
SPD1240-5R6M-CT	5.6	8.0	14.0	15.0	17.0
SPD1240-6R8M-CT	6.8	7.0	12.0	17.0	22.0
SPD1240-100M-CT	10	6.0	10.0	28.0	35.0
SPD1240-150M-CT	15	5.0	9.0	55.0	65.0
SPD1240-220M-CT	22	4.0	7.0	69.0	80.0

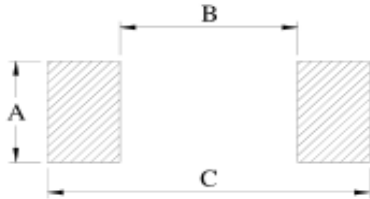
NOTES:

1. All test data is referenced to 25°C ambient
2. Operating Temperature Range -55°C to +125°C
3. Irms : DC current (A) that will cause an approximate ΔT of 40°C
4. Isat : DC current (A) that will cause Lo to drop approximately 30%
5. Test Frequency: 100KHZ,1.0V

SMD POWER INDUCTORS:

SPD1240 Series

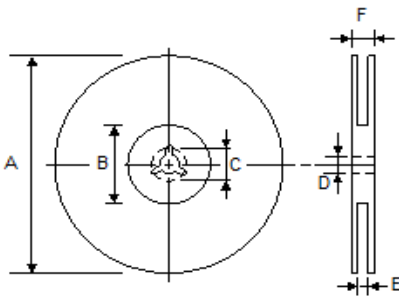
Recommend Land Pattern Dimensions (推荐焊盘)



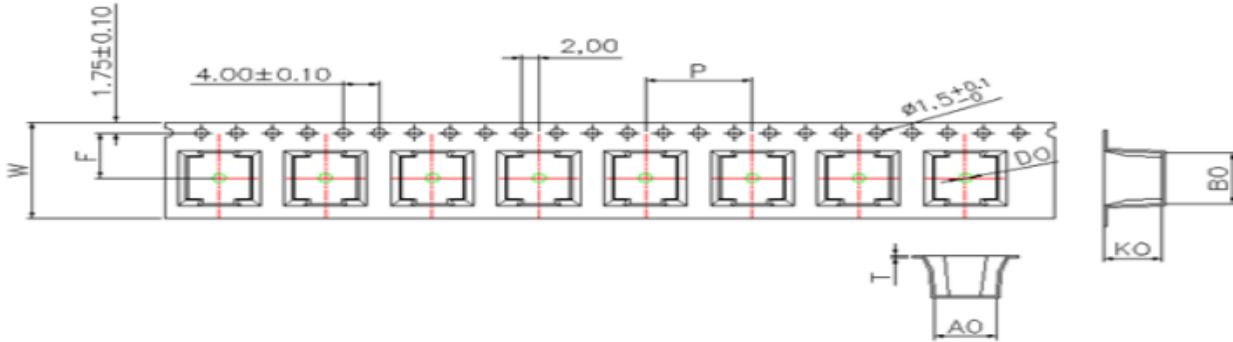
A	5.0
B	6.0
C	16.0

Unit: mm

Packaging Information (包装信息)



TYPE	A	B	C	D	E	F
24mm	330	100	21.0±0.8	13 ^{+0.5} / _{-0.2}	24±0.3	30.4



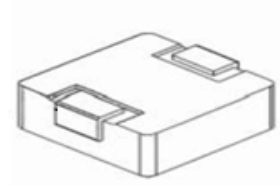
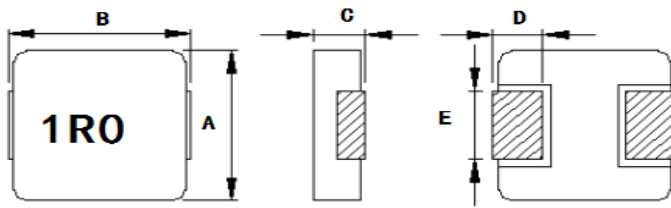
Q'TY (PCS)	A0	B0	KO	W	P	T
800	13.3±0.3	14.8±0.3	4.3±0.1	24.0±0.3	16.0±0.1	0.35±0.05

- ①一卷包装:800Pcs;
- ② 小箱装两卷:一共1600Pcs;
- ③ 大箱装三小箱: 一共4800Pcs.



SMD POWER INDUCTORS:

SPD1250 Series



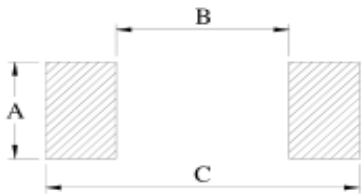
Series	A (mm)	B (mm)	C (mm)	D (mm)	E (mm)
SPD1250	12.8±0.5	13.5±1.0	5.0MAX	2.5±0.5	3.5±0.5

Part Number	L0 Inductance (µH) ±20%	Heat Rating Current I _{rms} (A)	Saturation Current I _{sat} (A)	DCR (mΩ)	
				TYP.	MAX.
SPD1250-R22M-CT	0.22	40.0	60.0	0.5	0.7
SPD1250-R36M-CT	0.36	38.0	55.0	0.7	0.9
SPD1250-R47M-CT	0.47	31.0	54.0	1.1	1.3
SPD1250-R68M-CT	0.68	30.0	51.0	1.3	1.5
SPD1250-R82M-CT	0.82	28.0	50.0	1.7	2.2
SPD1250-1R0M-CT	1	25.0	50.0	2.1	2.5
SPD1250-1R5M-CT	1.5	21.0	48.0	3.1	4.1
SPD1250-2R2M-CT	2.2	16.0	25.0	3.3	4.5
SPD1250-3R3M-CT	3.3	15.0	22.0	7.5	9.0
SPD1250-4R7M-CT	4.7	12.0	20.0	10.0	12.0
SPD1250-6R8M-CT	6.8	11.0	18.0	15.0	18.0
SPD1250-8R2M-CT	8.2	10.0	16.0	19.0	23.0
SPD1250-100M-CT	10	7.0	12.0	23.0	25.5
SPD1250-150M-CT	15	6.0	10.0	46.0	50.0
SPD1250-220M-CT	22	4.0	7.0	60.0	70.0
SPD1250-330M-CT	33	3.0	6.0	65.0	80.0
SPD1250-470M-CT	47	2.5	5.0	85.0	100.0
SPD1250-680M-CT	68	2.0	3.5	154.0	180.0
SPD1250-101M-CT	100	2.0	3.0	243.0	270.0

NOTES:

1. All test data is referenced to 25°C ambient
 2. Operating Temperature Range -55°C to +125°C
 3. Irms : DC current (A) that will cause an approximate ΔT of 40°C
 4. Isat : DC current (A) that will cause Lo to drop approximately 30%
 5. Test Frequency: 100KHZ,1.0V
-

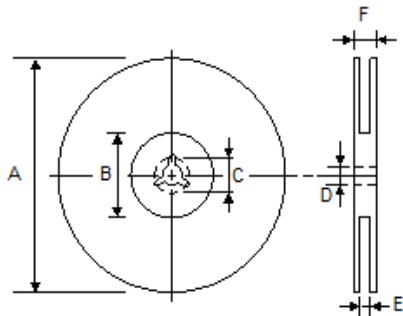
Recommend Land Pattern Dimensions (推荐焊盘)



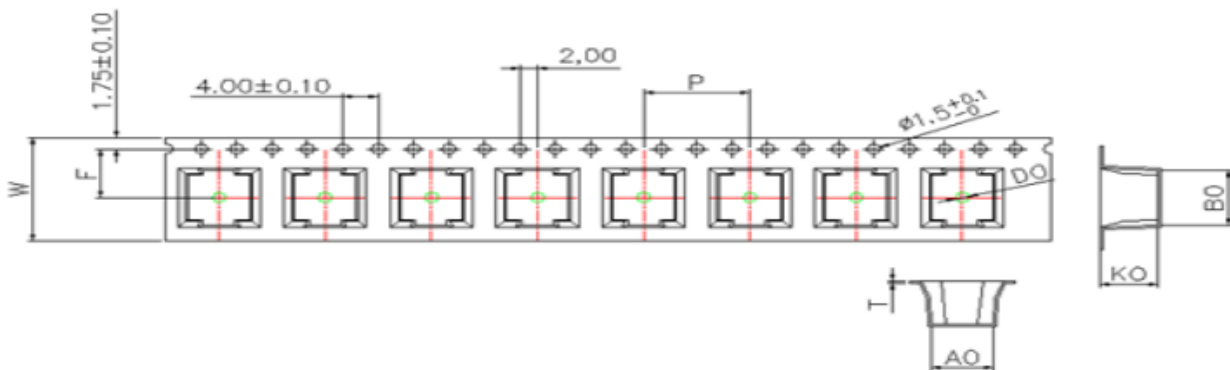
A	5.0
B	6.0
C	16.0

Unit: mm

Packaging Information (包装信息)



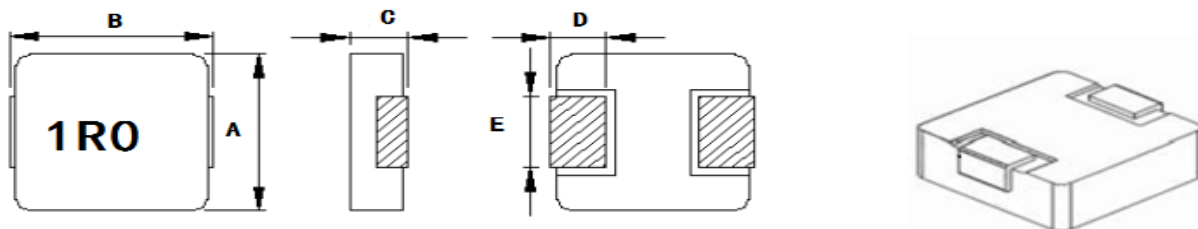
TYPE	A	B	C	D	E	F
24mm	330	100	21.0±0.8	13 ^{+0.5} / _{-0.2}	24±0.3	30.4



Q'TY (PCS)	A0	B0	KO	W	P	T
500	13.3±0.3	14.8±0.3	5.3±0.1	24.0±0.3	16.0±0.1	0.35±0.05

- ①一卷包装:500Pcs;
- ② 小箱装两卷:一共1000Pcs;
- ③ 大箱装三小箱: 一共3000Pcs.

SMD POWER INDUCTORS: SPD1265 Series



Series	A (mm)	B (mm)	C (mm)	D (mm)	E (mm)
SPD1265	12.8±0.5	13.5±1.0	6.5MAX	2.5±0.5	3.5±0.5

Part Number	L0 Inductance (µH) ±20%	Heat Rating Current Irms (A)	Saturation Current Isat (A)	DCR (mΩ)	
				TYP.	MAX.
SPD1265-R22M-CT	0.22	45.0	80.0	0.6	0.8
SPD1265-R36M-CT	0.36	38.0	70.0	0.8	1.0
SPD1265-R47M-CT	0.47	35.0	60.0	1.1	1.3
SPD1265-R68M-CT	0.68	30.0	54.0	1.2	1.5
SPD1265-R82M-CT	0.82	26.0	52.0	1.6	2.0
SPD1265-1R0M-CT	1	25.0	50.0	2.1	2.5
SPD1265-1R5M-CT	1.5	21.0	48.0	3.1	4.1
SPD1265-2R2M-CT	2.2	18.0	40.0	3.5	4.5
SPD1265-3R3M-CT	3.3	16.0	23.0	5.5	7.0
SPD1265-4R7M-CT	4.7	14.0	21.0	8.5	11.0
SPD1265-6R8M-CT	6.8	11.5	18.0	11.0	14.0
SPD1265-8R2M-CT	8.2	10.0	16.0	16.0	20.0
SPD1265-100M-CT	10	10.0	15.5	18.0	22.0
SPD1265-150M-CT	15	7.0	12.0	25.0	30.0
SPD1265-220M-CT	22	6.0	10.0	30.0	36.0
SPD1265-330M-CT	33	5.0	9.0	45.0	55.0
SPD1265-470M-CT	47	4.0	6.0	62.0	75.0
SPD1265-680M-CT	68	3.0	5.0	96.0	115.0
SPD1265-820M-CT	82	2.5	4.5	110.0	130.0
SPD1265-101M-CT	100	2.0	3.5	125.0	145.0
SPD1265-151M-CT	150	1.6	2.5	245.0	280.0

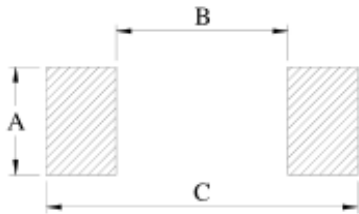
NOTES:

1. All test data is referenced to 25°C ambient
 2. Operating Temperature Range -55°C to +125°C
 3. I_{rms} : DC current (A) that will cause an approximate ΔT of 40°C
 4. I_{sat} : DC current (A) that will cause L_o to drop approximately 30%
 5. Test Frequency: 100KHZ,1.0V
-

SMD POWER INDUCTORS:

SPD1265 Series

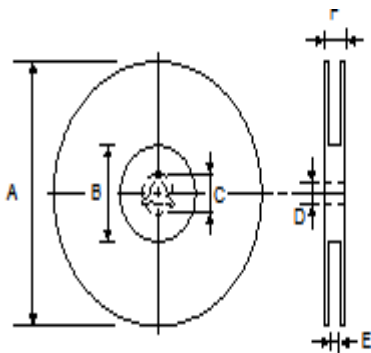
Recommend Land Pattern Dimensions (推荐焊盘)



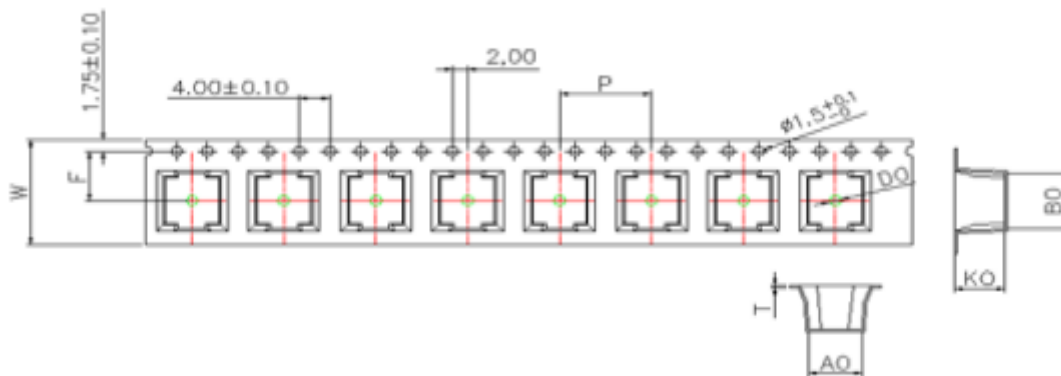
A	5.0
B	6.0
C	16.0

Unit: mm

Packaging Information (包装信息)



TYPE	A	B	C	D	E	F
24mm	330	100	21.0±0.8	13 ^{+0.5} / _{-0.2}	24±0.3	30.4



QTY (PCS)	A0	B0	KO	W	P	T
500	13.3±0.3	14.8±0.3	7.0±0.1	24.0±0.3	16.0±0.1	0.35±0.05

- ①一卷包装:500Pcs;
- ② 小箱装两卷:一共1000Pcs;
- ③ 大箱装三小箱: 一共3000Pcs.