



## SMD Power Inductors-SPIN-T Series

### Features

High saturation current realized by material properties and structure design

Low DC resistance to achieve high conversion efficiency and lower temperature rising □

Low Profile: Thickness in 1.2 mm.

Magnetically shielded structure to accomplish high resolution in EMC protection.

Halogen free, Lead Free, RoHS Compliance.



### Applications

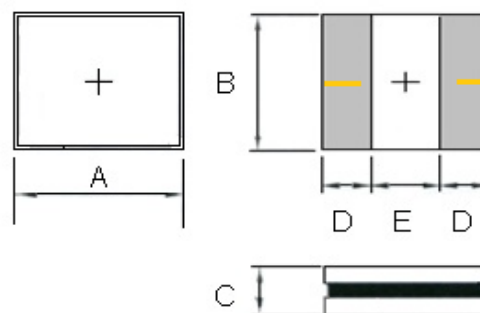
SPIN series is generic applied in portable DC to DC converter line.

Smart phone, PAD

Thin-type power supply module,

DC/DC converter

### Dimensions (mm)



### Product Identification

SPIN 252012 A- 1R0 □

SPHN: SERIES NAME

252012: DIMENSION Size Code

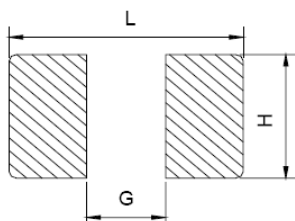
A: Material Code

1R0: INDUCTANCE CODE.

□: TOLERANCE, M=±20%. N=±30%.

SERIES	A	B	C	D	E
252012	2.5±0.3	2.0±0.35	1.2Max	0.85REF	0.8REF

### RECOMMENDER P.C.B LAYOUT



SERIES	L	G	H
252012	2.7	0.8	2.2



## SMD Power Inductors-SPIN-T Series

### Electrical Characteristics

Part Number	Inductance	DC Resistance	Isat(A)		Irms(A)	
	(uH)	(Ω) ±30%	Typical	Max	Typical	Max
SPIN252012T-R47□	0.47	0.035	4.30	4.00	3.80	3.50
SPIN252012T-1R0□	1.0	0.045	3.00	2.80	2.70	2.50
SPIN252012T-2R2□	2.2	0.085	2.20	1.90	1.80	1.50
SPIN252012T-4R7□	4.7	0.190	1.45	1.30	1.30	1.20
SPIN252012T-100□	10.0	0.400	0.95	0.85	0.80	0.60
SPIN252012T-150□	15.0	0.130	2.30	2.10	2.05	1.90

- Test Frequency: 1MHz/200mV

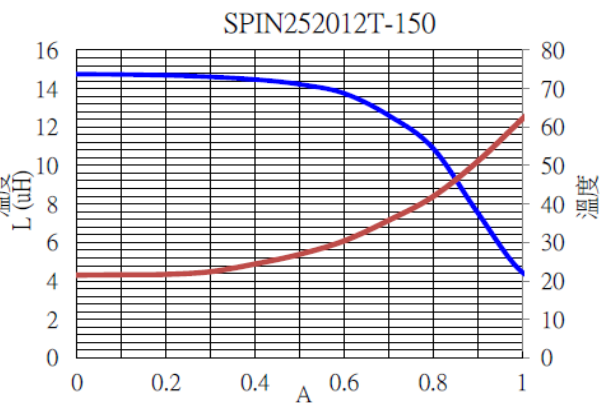
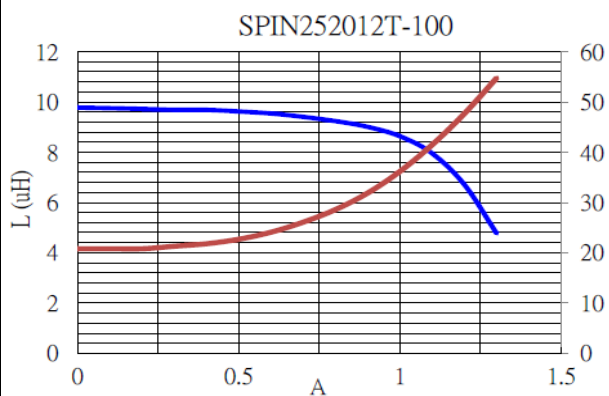
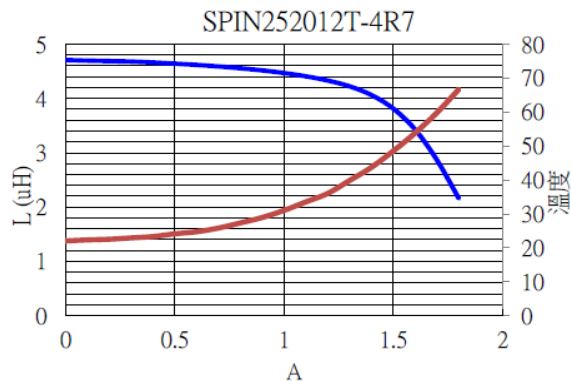
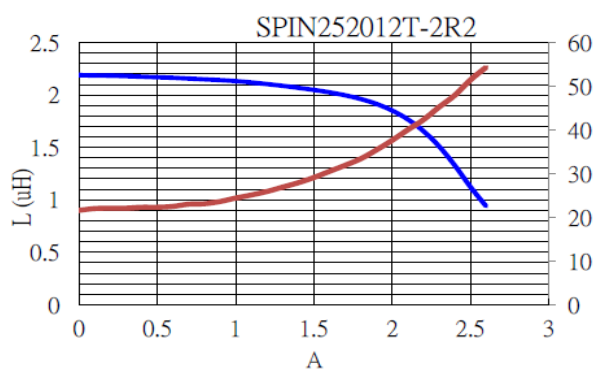
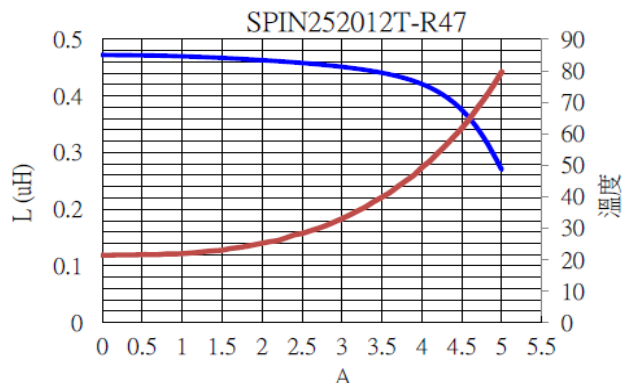
#### Note

- Isat for Inductance drop 30% from its value without current typical.
- Irms for a 40°C rise above 25°C ambient typical.
- If Use wave soldering is there will be some risk.(Crack、unwitting& Mark Shedding)
- Re-flow soldering temperatures below 240 degrees, there will be unwitting risk.
- Operating Temperature Range -40°C to +105°C (Including self-temperature rise)
- Storage temp. and humidity : -40 to +85°C ,70%RH max
- When total area of exposed wire occurring to each sides is not greater than 75% of coating resin area, that is acceptable.



### SMD Power Inductors-SPIN-T Series

#### Current Characteristic

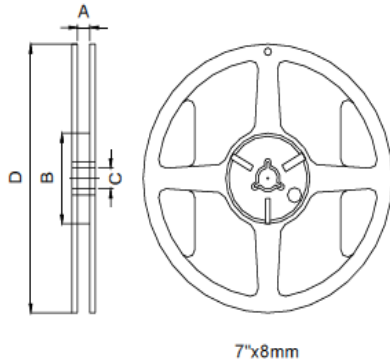




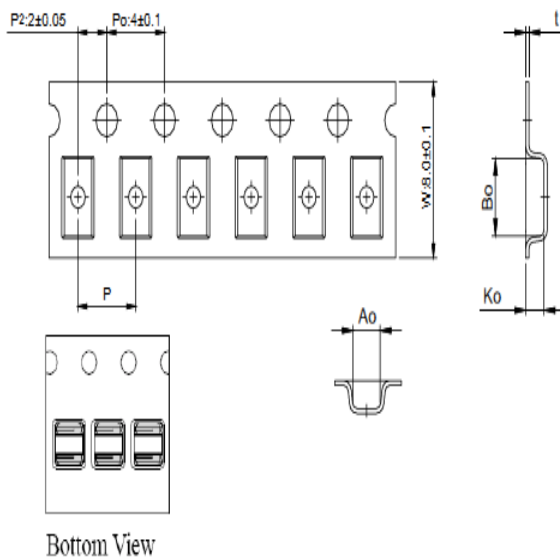
## SMD Power Inductors-SPIN-T Series

### PACKAGING

#### Reel Dimension



Type	A(mm)	B(mm)	C(mm)	D(mm)
7"x8mm	8.4±1.0	50 min.	13±0.8	178±2



Series	Size	Bo(mm)	Ao(mm)	Ko(mm)	P(mm)	t(mm)
SPIN	252010	2.85±0.1	2.40±0.1	1.15±0.1	4.0±0.1	0.22±0.05

#### Packaging Quantity

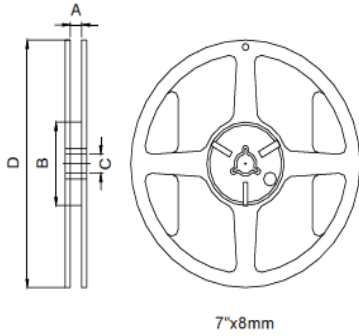
Chip size	252010
Chip / Reel	2000



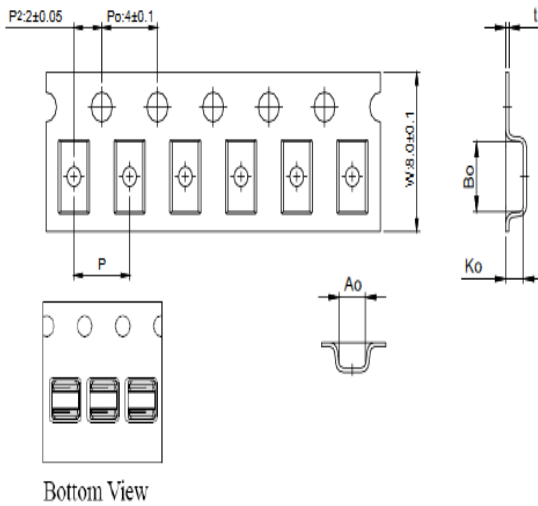
## SMD Power Inductors-SPIN-T Series

### PACKAGING

#### Reel Dimension



Type	A(mm)	B(mm)	C(mm)	D(mm)
7"x8mm	8.4±1.0	50 min.	13±0.8	178±2



Series	Size	Bo(mm)	Ao(mm)	Ko(mm)	P(mm)	t(mm)
SPIN	252012	2.85±0.1	2.40±0.1	1.35±0.1	4.0±0.1	0.23±0.05

#### Packaging Quantity

Chip size	252012
Chip / Reel	2000