



SMD Power chokes- SCB-F Series

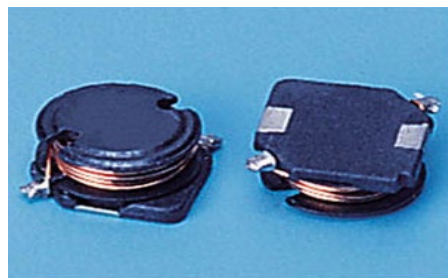
SCB-F series Unshielded Inductors for low power loss Use

Features

- 1.High saturation for surface mounting
- 2.Avaible in magnetically shielded
- 3.Suitable for large currents.

Applications

VRT, OA equipment, LCD television sets,
Notebook computers, portable communications equipment,
DC/DC converters, etc.



Product Identification

SCB 73F- 100 M -PF

SCB: SERIES NAME

73:Dimensions CODE

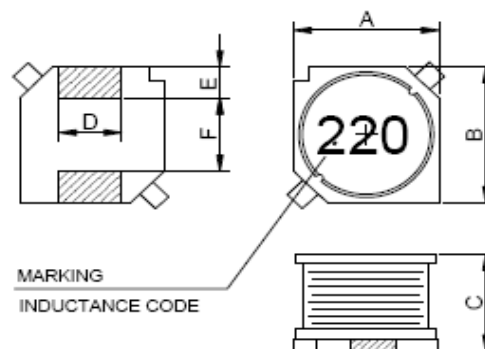
F: CORE TYPE

100: INDUCTANCE CODE.

M: TOLERANCE, K=10% M=20%.

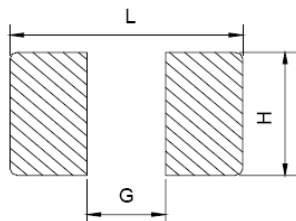
PF:Pb-Free

Dimensions (mm)



SERIES	A	B	C	D	E	F
SCB63F	6.0±0.3	6.0±0.3	2.9±0.3	2.0±0.2	1.5±0.2	3.0±0.2
SCB64F	6.0±0.3	6.0±0.3	3.9±0.3	2.0±0.2	1.5±0.2	3.0±0.2
SCB65F	6.0±0.3	6.0±0.3	4.9±0.3	2.0±0.2	1.5±0.2	3.0±0.2
SCB73F	7.0±0.3	7.0±0.3	3.0±0.3	2.0±0.2	1.5±0.2	4.0±0.2
SCB75F	7.0±0.3	7.0±0.3	4.6±0.3	2.0±0.2	1.5±0.2	4.0±0.2
SCB104F	10±0.3	10±0.3	4.6±0.3	2.4±0.2	2.0±0.2	6.0±0.2

RECOMMENDER P.C.B LAYOUT



SERIES	L	H	G
SCB63F	6.2	2.2	2.5
SCB64F	6.2	2.2	2.5
SCB65F	6.2	2.2	2.5
SCB73F	7.5	3.0	3.5
SCB75F	7.5	3.0	3.5
SCB104F	10.5	4.0	5.5



SMD Power chokes- SCB-F Series

Electrical Characteristics

Part Number	Inductance (μ H)	Test Frequency (KHz)	DCR (Ω)max.	IDC (A)max
SCB63F-1R2M-PF	1.2 \pm 20 %	100	0.025	2.80
SCB63F-1R5M-PF	1.5 \pm 20 %	100	0.028	2.60
SCB63F-2R2M-PF	2.2 \pm 20 %	100	0.03	2.30
SCB63F-3R3M-PF	3.3 \pm 20%	100	0.055	2.00
SCB63F-4R7M-PF	4.7 \pm 20 %	100	0.065	1.85
SCB63F-6R8M-PF	6.8 \pm 20%	100	0.09	1.65
SCB63F-100M-PF	10 \pm 20 %	100	0.115	1.45
SCB63F-120M-PF	12 \pm 20 %	100	0.15	1.20
SCB63F-150M-PF	15 \pm 20 %	100	0.18	1.15
SCB63F-180M-PF	18 \pm 20 %	100	0.23	1.05
SCB63F-220M-PF	22 \pm 20%	100	0.25	1.00
SCB63F-270M-PF	27 \pm 20%	100	0.35	0.95
SCB63F-330K-PF	33 \pm 10%	100	0.38	0.9
SCB63F-390K-PF	39 \pm 10 %	100	0.41	0.8
SCB63F-470K-PF	47 \pm 10%	100	0.43	0.75
SCB63F-560K-PF	56 \pm 10 %	100	0.62	0.70
SCB63F-680K-PF	68 \pm 10%	100	0.71	0.60
SCB63F-820K-PF	82 \pm 10%	100	0.73	0.50
SCB63F-101K-PF	100 \pm 10 %	100	1.05	0.48
SCB63F-121K-PF	120 \pm 10%	100	1.18	0.45
SCB63F-151K-PF	150 \pm 10%	100	1.80	0.40
SCB63F-181K-PF	180 \pm 10%	100	1.95	0.35
SCB63F-221K-PF	220 \pm 10 %	100	2.96	0.30
SCB63F-271K-PF	270 \pm 10%	100	3.45	0.28
SCB63F-331K-PF	330 \pm 10 %	100	3.80	0.26
SCB63F-391K-PF	390 \pm 10%	100	4	0.24
SCB63F-471K-PF	470 \pm 10%	100	4.4	0.22
SCB63F-561K-PF	560 \pm 10%	100	6.2	0.2
SCB63F-681K-PF	680 \pm 10 %	100	6.8	0.18
SCB63F-821K-PF	820 \pm 10 %	100	12	0.16
SCB63F-102K-PF	1000 \pm 10 %	100	13.5	0.14

Note:

- (1). All test data is referenced to 25°C ambient.
- (2). Operating Temperature Range-55°C to +105°C.
- (3). DC current(A)that will cause an approximate Δ T of 40°C.
- (4). DC current(A)that will cause Lo to drop approximately 10%.



SMD Power chokes- SCB-F Series

Electrical Characteristics

Part Number	Inductance (μ H)	Test Frequency (KHz)	DCR (Ω)max.	IDC (A)max
SCB64F-1R2M-PF	1.2 \pm 20 %	100	0.03	3.00
SCB64F-1R8M-PF	1.8 \pm 20 %	100	0.03	2.85
SCB64F-2R2M-PF	2.2 \pm 20 %	100	0.04	2.65
SCB64F-3R3M-PF	3.3 \pm 20%	100	0.04	2.35
SCB64F-4R7M-PF	4.7 \pm 20 %	100	0.05	2.15
SCB64F-6R8M-PF	6.8 \pm 20%	100	0.06	1.85
SCB64F-100M-PF	10 \pm 20 %	100	0.09	1.60
SCB64F-120M-PF	12 \pm 20 %	100	0.09	1.50
SCB64F-150M-PF	15 \pm 20 %	100	0.11	1.45
SCB64F-180M-PF	18 \pm 20 %	100	0.12	1.30
SCB64F-220M-PF	22 \pm 20%	100	0.16	1.25
SCB64F-270M-PF	27 \pm 20%	100	0.19	1.10
SCB64F-330K-PF	33 \pm 10%	100	0.28	1.00
SCB64F-390K-PF	39 \pm 10 %	100	0.30	0.90
SCB64F-470K-PF	47 \pm 10%	100	0.33	0.85
SCB64F-560K-PF	56 \pm 10 %	100	0.41	0.80
SCB64F-680K-PF	68 \pm 10%	100	0.45	0.70
SCB64F-820K-PF	82 \pm 10%	100	0.60	0.60
SCB64F-101K-PF	100 \pm 10 %	100	0.66	0.55
SCB64F-121K-PF	120 \pm 10%	100	0.72	0.50
SCB64F-151K-PF	150 \pm 10%	100	1.05	0.45
SCB64F-181K-PF	180 \pm 10%	100	1.15	0.40
SCB64F-221K-PF	220 \pm 10 %	100	1.25	0.35
SCB64F-271K-PF	270 \pm 10%	100	1.80	0.30
SCB64F-331K-PF	330 \pm 10 %	100	1.95	0.28
SCB64F-391K-PF	390 \pm 10%	100	2.78	0.25
SCB64F-471K-PF	470 \pm 10%	100	2.98	0.23
SCB64F-561K-PF	560 \pm 10%	100	3.30	0.21
SCB64F-681K-PF	680 \pm 10 %	100	5.10	0.20
SCB64F-821K-PF	820 \pm 10 %	100	5.40	0.18
SCB64F-102K-PF	1000 \pm 10 %	100	6.00	0.16

Note:

- (1). All test data is referenced to 25°C ambient.
- (2). Operating Temperature Range-55°C to +105°C.
- (3). DC current(A)that will cause an approximate Δ T of 40°C.
- (4). DC current(A)that will cause Lo to drop approximately 10%.
- (5). □Tolerance of inductance \pm 10%(K) \pm 20%(M) \pm 30%(N)



SMD Power chokes- SCB-F Series

Electrical Characteristics

Part Number	Inductance (μ H)	Test Frequency (KHz)	DCR (Ω)max.	IDC (A)max
SCB65F-1R2M-PF	1.2 \pm 20 %	100	0.028	3.50
SCB65F-1R5M-PF	1.5 \pm 20 %	100	0.030	3.00
SCB65F-2R2M-PF	2.2 \pm 20 %	100	0.035	2.70
SCB65F-3R3M-PF	3.3 \pm 20%	100	0.042	2.50
SCB65F-4R7M-PF	4.7 \pm 20 %	100	0.050	2.20
SCB65F-6R8M-PF	6.8 \pm 20%	100	0.060	2.00
SCB65F-100M-PF	10 \pm 20 %	100	0.070	1.80
SCB65F-120M-PF	12 \pm 20 %	100	0.080	1.60
SCB65F-150M-PF	15 \pm 20 %	100	0.090	1.50
SCB65F-180M-PF	18 \pm 20 %	100	0.095	1.30
SCB65F-220M-PF	22 \pm 20%	100	0.110	1.20
SCB65F-270M-PF	27 \pm 20%	100	0.130	1.10
SCB65F-330M-PF	33 \pm 20%	100	0.180	1.00
SCB65F-390M-PF	39 \pm 20 %	100	0.210	0.90
SCB65F-470M-PF	47 \pm 20%	100	0.220	0.80
SCB65F-560M-PF	56 \pm 20 %	100	0.250	0.75
SCB65F-680M-PF	68 \pm 20%	100	0.300	0.70
SCB65F-820M-PF	82 \pm 20%	100	0.390	0.60
SCB65F-101K-PF	100 \pm 10 %	100	0.430	0.55
SCB65F-121K-PF	120 \pm 10%	100	0.500	0.50
SCB65F-151K-PF	150 \pm 10%	100	0.620	0.45
SCB65F-181K-PF	180 \pm 10%	100	0.690	0.40
SCB65F-221K-PF	220 \pm 10 %	100	0.890	0.38
SCB65F-271K-PF	270 \pm 10%	100	1.000	0.35
SCB65F-331K-PF	330 \pm 10 %	100	1.400	0.32
SCB65F-391K-PF	390 \pm 10%	100	1.500	0.30
SCB65F-471K-PF	470 \pm 10%	100	2.000	0.28
SCB65F-561K-PF	560 \pm 10%	100	2.300	0.25
SCB65F-681K-PF	680 \pm 10 %	100	3.200	0.20
SCB65F-821K-PF	820 \pm 10 %	100	3.500	0.18
SCB65F-102K-PF	1000 \pm 10 %	100	4.100	0.16

Note:

- (1). All test data is referenced to 25°C ambient.
- (2). Operating Temperature Range-55°C to +105°C.
- (3). DC current(A)that will cause an approximate Δ T of 40°C.
- (4). DC current(A)that will cause Lo to drop approximately 10%.
- (5). □Tolerance of inductance \pm 10%(K) \pm 20%(M) \pm 30%(N)



SMD Power chokes- SCB-F Series

Electrical Characteristics

Part Number	Inductance (μ H)	Test Frequency (KHz)	DCR (Ω)max.	IDC (A)max
SCB73F-1R0M-PF	1.0 \pm 20 %	100	0.020	3.20
SCB73F-1R5M-PF	1.5 \pm 20 %	100	0.025	2.80
SCB73F-2R2M-PF	2.2 \pm 20 %	100	0.035	2.50
SCB73F-3R3M-PF	3.3 \pm 20%	100	0.040	2.20
SCB73F-4R7M-PF	4.7 \pm 20 %	100	0.045	2.00
SCB73F-6R8M-PF	6.8 \pm 20%	100	0.060	1.60
SCB73F-100M-PF	10 \pm 20 %	100	0.080	1.40
SCB73F-120M-PF	12 \pm 20 %	100	0.085	1.30
SCB73F-150M-PF	15 \pm 20 %	100	0.110	1.10
SCB73F-180M-PF	18 \pm 20 %	100	0.130	1.05
SCB73F-220M-PF	22 \pm 20%	100	0.150	1.00
SCB73F-270M-PF	27 \pm 20%	100	0.190	0.95
SCB73F-330M-PF	33 \pm 20%	100	0.210	0.85
SCB73F-390M-PF	39 \pm 20 %	100	0.270	0.75
SCB73F-470M-PF	47 \pm 20%	100	0.310	0.70
SCB73F-560M-PF	56 \pm 20 %	100	0.390	0.65
SCB73F-680M-PF	68 \pm 20%	100	0.430	0.60
SCB73F-820M-PF	82 \pm 20%	100	0.490	0.50
SCB73F-101K-PF	100 \pm 10 %	100	0.650	0.45
SCB73F-121K-PF	120 \pm 10%	100	0.700	0.40
SCB73F-151K-PF	150 \pm 10%	100	0.850	0.35
SCB73F-181K-PF	180 \pm 10%	100	1.100	0.33
SCB73F-221K-PF	220 \pm 10 %	100	1.250	0.30
SCB73F-271K-PF	270 \pm 10%	100	1.450	0.28
SCB73F-331K-PF	330 \pm 10 %	100	2.000	0.25
SCB73F-391K-PF	390 \pm 10%	100	2.250	0.23
SCB73F-471K-PF	470 \pm 10%	100	2.600	0.22
SCB73F-561K-PF	560 \pm 10%	100	3.700	0.20
SCB73F-681K-PF	680 \pm 10 %	100	4.300	0.18
SCB73F-821K-PF	820 \pm 10 %	100	4.900	0.16
SCB73F-102K-PF	1000 \pm 10 %	100	5.600	0.15

Note:

- (1). All test data is referenced to 25°C ambient.
- (2). Operating Temperature Range-55°C to +105°C.
- (3). DC current(A)that will cause an approximate Δ T of 40°C.
- (4). DC current(A)that will cause Lo to drop approximately 10%.
- (5). □ Tolerance of inductance \pm 10%(K) \pm 20%(M) \pm 30%(N)



SMD Power chokes- SCB-F Series

Electrical Characteristics

Part Number	Inductance (μ H)	Test Frequency (KHz)	DCR (Ω)max.	IDC (A)max
SCB75F-1R0M-PF	1.0 \pm 20 %	100	0.023	3.50
SCB75F-1R5M-PF	1.5 \pm 20 %	100	0.028	3.20
SCB75F-2R2M-PF	2.2 \pm 20 %	100	0.033	3.30
SCB75F-3R3M-PF	3.3 \pm 20%	100	0.040	2.70
SCB75F-4R7M-PF	4.7 \pm 20 %	100	0.050	2.50
SCB75F-6R8M-PF	6.8 \pm 20%	100	0.060	2.20
SCB75F-100M-PF	10 \pm 20 %	100	0.075	2.00
SCB75F-120M-PF	12 \pm 20 %	100	0.085	1.90
SCB75F-150M-PF	15 \pm 20 %	100	0.090	1.50
SCB75F-180M-PF	18 \pm 20 %	100	0.100	1.40
SCB75F-220M-PF	22 \pm 20%	100	0.120	1.30
SCB75F-270M-PF	27 \pm 20%	100	0.150	1.20
SCB75F-330M-PF	33 \pm 20%	100	0.180	1.10
SCB75F-390M-PF	39 \pm 20 %	100	0.190	1.00
SCB75F-470M-PF	47 \pm 20%	100	0.220	0.90
SCB75F-560M-PF	56 \pm 20 %	100	0.250	0.85
SCB75F-680M-PF	68 \pm 20%	100	0.270	0.80
SCB75F-820M-PF	82 \pm 20%	100	0.380	0.70
SCB75F-101K-PF	100 \pm 10 %	100	0.420	0.65
SCB75F-121K-PF	120 \pm 10%	100	0.520	0.60
SCB75F-151K-PF	150 \pm 10%	100	0.580	0.50
SCB75F-181K-PF	180 \pm 10%	100	0.650	0.45
SCB75F-221K-PF	220 \pm 10 %	100	0.880	0.40
SCB75F-271K-PF	270 \pm 10%	100	0.990	0.35
SCB75F-331K-PF	330 \pm 10 %	100	1.100	0.32
SCB75F-391K-PF	390 \pm 10%	100	1.400	0.30
SCB75F-471K-PF	470 \pm 10%	100	1.900	0.28
SCB75F-561K-PF	560 \pm 10%	100	2.200	0.25
SCB75F-681K-PF	680 \pm 10 %	100	2.500	0.22
SCB75F-821K-PF	820 \pm 10 %	100	2.900	0.20
SCB75F-102K-PF	1000 \pm 10 %	100	4.000	0.18

Note:

- (1). All test data is referenced to 25°C ambient.
- (2). Operating Temperature Range-55°C to +105°C.
- (3). DC current(A)that will cause an approximate Δ T of 40°C.
- (4). DC current(A)that will cause Lo to drop approximately 10%.
- (5). □Tolerance of inductance \pm 10%(K) \pm 20%(M) \pm 30%(N)



SMD Power chokes- SCB-F Series

Electrical Characteristics

Part Number	Inductance (μ H)	Test Frequency (KHz)	DCR (Ω)max.	IDC (A)max
SCB104F-1R8M-PF	1.8 \pm 20 %	100	0.023	5.50
SCB104F-2R7M-PF	2.7 \pm 20 %	100	0.025	5.00
SCB104F-3R9M-PF	3.9 \pm 20 %	100	0.030	4.50
SCB104F-4R7M-PF	4.7 \pm 20 %	100	0.035	4.00
SCB104F-6R8M-PF	6.8 \pm 20%	100	0.040	3.80
SCB104F-100M-PF	10 \pm 20 %	100	0.050	3.30
SCB104F-120M-PF	12 \pm 20 %	100	0.055	3.20
SCB104F-150M-PF	15 \pm 20 %	100	0.065	3.00
SCB104F-180M-PF	18 \pm 20 %	100	0.070	2.70
SCB104F-220M-PF	22 \pm 20%	100	0.080	2.60
SCB104F-270M-PF	27 \pm 20%	100	0.090	2.40
SCB104F-330M-PF	33 \pm 20%	100	0.110	2.00
SCB104F-390M-PF	39 \pm 20 %	100	0.120	1.90
SCB104F-470M-PF	47 \pm 20%	100	0.130	1.80
SCB104F-560M-PF	56 \pm 20 %	100	0.180	1.60
SCB104F-680M-PF	68 \pm 20%	100	0.210	1.40
SCB104F-820M-PF	82 \pm 20%	100	0.240	1.30
SCB104F-101K-PF	100 \pm 10 %	100	0.290	1.20
SCB104F-121K-PF	120 \pm 10%	100	0.340	1.10
SCB104F-151K-PF	150 \pm 10%	100	0.470	1.00
SCB104F-181K-PF	180 \pm 10%	100	0.530	0.90
SCB104F-221K-PF	220 \pm 10 %	100	0.730	0.80
SCB104F-271K-PF	270 \pm 10%	100	0.830	0.70
SCB104F-331K-PF	330 \pm 10 %	100	0.990	0.65
SCB104F-391K-PF	390 \pm 10%	100	1.100	0.60
SCB104F-471K-PF	470 \pm 10%	100	1.250	0.55
SCB104F-561K-PF	560 \pm 10%	100	1.600	0.50
SCB104F-681K-PF	680 \pm 10 %	100	1.800	0.45
SCB104F-821K-PF	820 \pm 10 %	100	2.060	0.40
SCB104F-102K-PF	1000 \pm 10 %	100	2.800	0.38

Note:

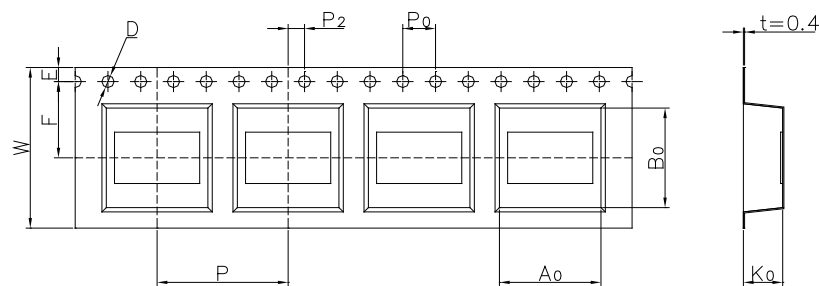
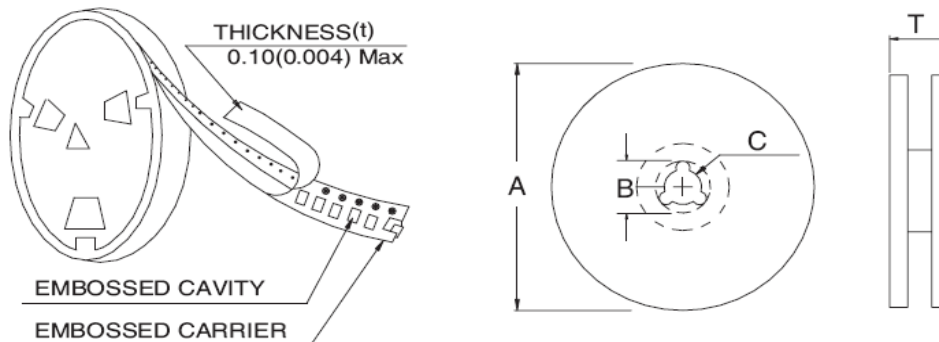
- (1). All test data is referenced to 25°C ambient.
- (2). Operating Temperature Range-55°C to +105°C.
- (3). DC current(A)that will cause an approximate Δ T of 40°C.
- (4). DC current(A)that will cause Lo to drop approximately 10%.
- (5). □ Tolerance of inductance \pm 10%(K) \pm 20%(M) \pm 30%(N)



SMD Power chokes- SCB-F Series

PACKAGING

1.Configuration.



2.Dimension in mm

TYPE	A	B	C	T
12mm	330	100	21±0.8	16.4
16mm	330	100	21±0.8	20.4
24mm	330	100	21±0.8	28.4
32mm	330	100	21±0.8	36.4

SERIES	Ao(mm)	Bo(mm)	Ko(mm)	W(mm)	P(mm)	PCS/REEL
SCB63F	6.4±0.1	6.4±0.1	3.5±0.1	16±0.3	12±0.1	1000
SCB64F	6.4±0.1	6.4±0.1	4.5±0.1	16±0.3	12±0.1	1000
SCB65F	6.4±0.1	6.4±0.1	5.5±0.1	16±0.3	12±0.1	1000
SCB73F	7.5±0.1	7.5±0.1	3.5±0.1	16±0.3	12±0.1	1000
SCB75F	7.5±0.1	7.5±0.1	5.0±0.1	16±0.3	12±0.1	1000
SCB104F	10.5±0.1	10.5±0.1	5.0±0.1	24±0.3	16±0.1	500