

SMD Coupled Inductors-SP/ST Series

SP/ST series For 1:1 Isolation transformersUs

Features

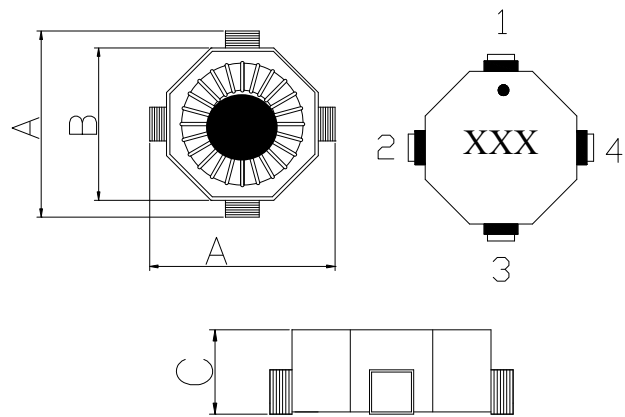
1. Maximum power density
2. Engineered to provide high efficiency through toridal design



Applications

1. 1:1 coupled inductors and 1:1 Isolation transformers
2. Low EMI radiation
3. Models Available for full load current range of 0.32 to 7.0 Adc

Dimensions (mm)



Product Identification

SPG-100M-PF

SP/ST: SERIES NAME

P/T: CASE Dimensions

G: MATERIAL CODE.

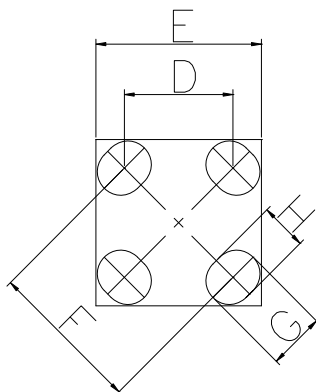
100: INDUCTANCE CODE.

M: TOLERANCE. K=10% M=20%.

PF: Pb-Free

P/N	A	B	C
ST	12.0Max	9.5Max	5.5Max
SP	14.0Max	12.5Max	7.0Max
Continued	Customized		

Recommended Pattern(mm)



P/N	D	E	F	G	H
ST	7.0	10.5	10.5	2	1.2
SP	8.8	12.5	12.5	4	3

SMD Coupled Inductors-SP/ST Series

SP/ST series For 1:1 Isolation transformersUs

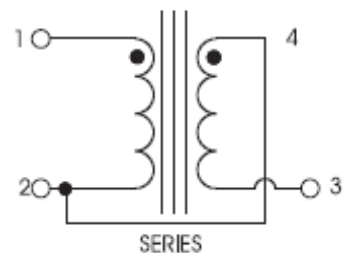
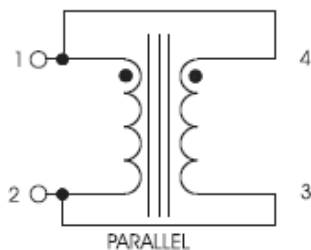
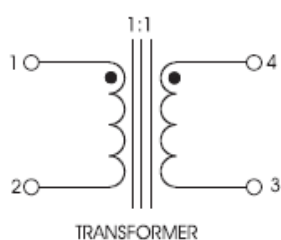
Electrical Characteristics

Part Number	PARALLEL				SERIES			
	open circuit Inductance uH±20%	full load Inductance uH Min	full load current Adc	Rdc Max (Ω)	open circuit Inductance uH±20%	full load Inductance uH Min	full load current Adc	Rdc Max (Ω)
STG-R47M-PF	0.47	0.31	5.50	0.009	1.7	1.3	2.75	0.04
STG-R68M-PF	0.68	0.43	5.10	0.011	2.4	1.7	2.60	0.045
STG-1R2M-PF	1.2	0.73	4.50	0.014	4.3	2.9	2.55	0.056
STG-2R2M-PF	2.2	1.36	3.40	0.018	8	5.4	1.70	0.07
STG-4R7M-PF	4.7	3.37	2.00	0.041	18.8	13.5	1.00	0.16
STG-8R0M-PF	8	5.31	1.80	0.052	32	21.2	0.90	0.21
STG-9R6M-PF	9.6	6.23	1.70	0.057	38.5	24.9	0.85	0.23
STG-150M-PF	15	9.62	1.40	0.087	60	38.5	0.70	0.35
STG-200M-PF	20	14.12	1.00	0.159	82	56.5	0.50	0.64
STG-250M-PF	25	17.07	0.96	0.177	100	68.2	0.48	0.71
STG-320M-PF	32	22.27	0.80	0.251	130	89.1	0.40	1.00
STG-500M-PF	50	33.57	0.70	0.316	200	134.2	0.35	1.26
STG-680M-PF	68	43.65	0.66	0.373	270	174.6	0.33	1.49
STG-101M-PF	100	63.64	0.54	0.557	400	254.5	0.27	2.23

NOTE:

1. Operating temperature range - 25°C ~ 85°C
2. Open circuit inductance Test parameters: 100KHz/0.25V
3. Hi-pot rating: winding to winding 300Vdc min
4. Turns ratio: (1-2):(4-3) 1:1

CONNECTION



SMD Coupled Inductors-SP/ST Series

SP/ST series For 1:1 Isolation transformersUs

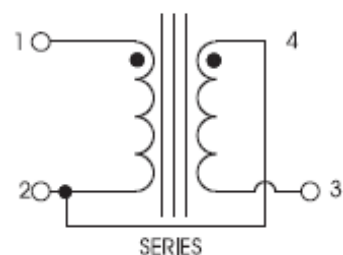
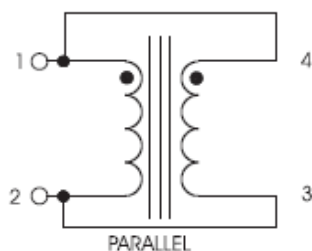
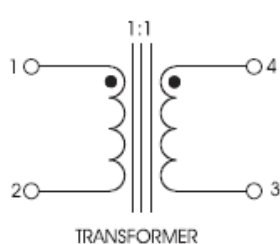
Electrical Characteristics

Part Number	PARALLEL				SERIES			
	open circuit Inductance uH±20%	full load Inductance uH Min	full load current Adc	Rdc Max (Ω)	open circuit Inductance uH±20%	full load Inductance uH Min	full load current Adc	Rdc Max (Ω)
SPB-R47M-PF	0.47	0.32	7.00	0.004	1.8	1.3	3.50	0.016
SPB-R80M-PF	0.8	0.55	6.00	0.005	3.2	2.2	3.00	0.02
SPB-1R2M-PF	1.2	0.85	5.50	0.006	4.9	3.4	2.50	0.024
SPB-1R8M-PF	1.8	1.1	5.00	0.007	7	4.2	2.90	0.028
SPB-5R0M-PF	5	2.6	4.40	0.014	20	10.0	2.20	0.056
SPB-8R0M-PF	8	4.3	3.50	0.019	33	17	1.75	0.073
SPB-100M-PF	10	4.8	3.40	0.021	40	19	1.70	0.079
SPB-150M-PF	15	6.8	3.00	0.024	60	27	1.50	0.096
SPB-200M-PF	20	10.7	2.10	0.055	80	42	1.05	0.22
SPB-250M-PF	25	13.3	2.00	0.064	100	53	1.00	0.254
SPB-320M-PF	32	16.8	1.80	0.072	130	67	0.90	0.288
SPB-500M-PF	50	25.0	1.50	0.111	200	100	0.75	0.444
SPB-680M-PF	68	32.3	1.20	0.158	270	140	0.60	0.63
SPB-101M-PF	100	54.5	0.90	0.303	400	220	0.46	1.21
SPB-151M-PF	150	77.2	0.80	0.372	600	300	0.41	1.49
SPB-201M-PF	200	111.0	0.64	0.545	800	440	0.32	2.18
SPB-301M-PF	300	148.0	0.60	0.672	1200	590	0.30	2.69

NOTE:

1. Operating temperature range $-25^{\circ}\text{C} \sim 85^{\circ}\text{C}$
2. Open circuit inductance Test parameters: 100KHz/0.25V
3. Hi-pot rating: winding to winding 300Vdc min
4. Turns ratio: (1-2):(4-3) 1:1

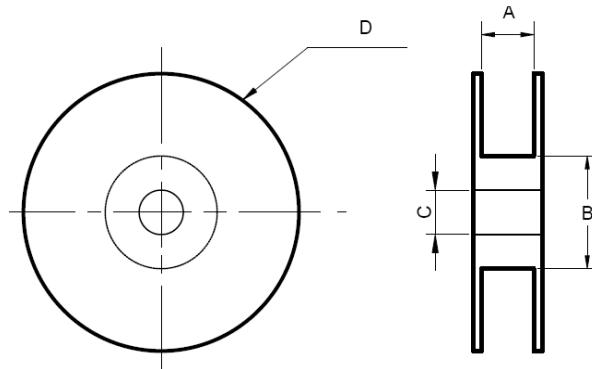
CONNECTION



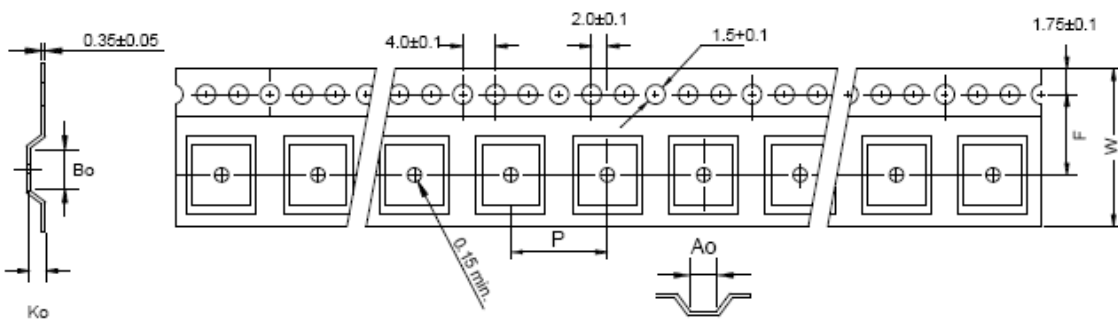
SMD Coupled Inductors-SP/ST Series

PACKAGING

REEL Dimensions (mm)



Tape Dimensions (mm)



TAPE DIMENSIONS AND PACKAGING QUANTITIES

TYPE	Tape Dimensions						Quantity/Reel			
	A_o	B_o	W	P	F	K_o	A	B	C	D
ST-SERIES	10.5	10.6	24	16	11.5	5.2	24.5	100	13 ± 0.3	330
SP-SERIES	12.6	12.6	24	16	11.5	8.1	24.5	100	13 ± 0.3	330