

# SUNLEI TECHNOLOGY CORP.

## POWER Chokes-R-Series

R series chokes For Customer Design Use

### Features

- 1.Compact size high performance low cost and with large current loads.
- 2.Wound on iron power material triodes
- 3.Cad be customized and available in various sizes



### Applications

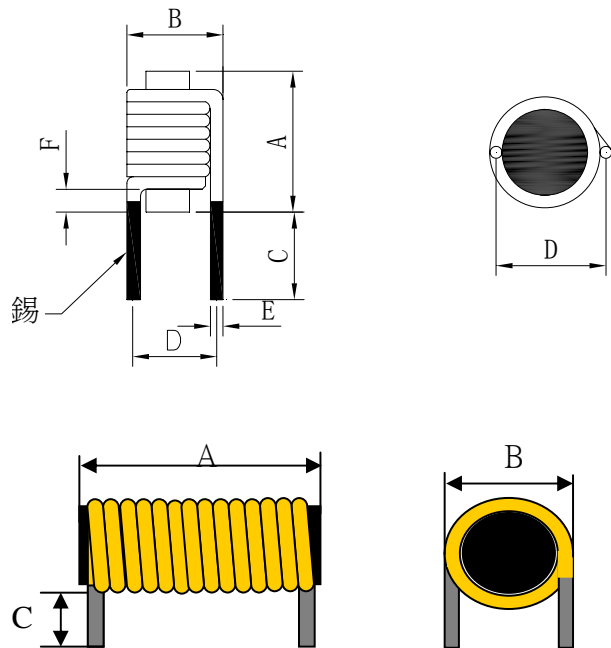
Power supply and power switching,TV game,Monitor,Car recharger, Speaker crossover networks.

### Shapes and Dimensions (mm)

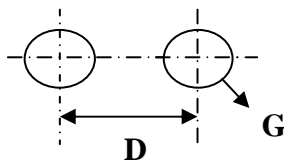
### Product Identification

R 0520P- 100K - PF

R: SERIES NAME  
 0520: DIMENSION SIZE CODE  
 P: COIL TYPE  
 100: INDUCTANCE CODE.  
 K: TOLERANCE, J=5% K=10% M=20%.



### Recommended PCB layout (mm)



SERIES	B	
R03XX	7.5MAX	
R04XX	9.5MAX	
R05XX	11.0MAX	
R06XX	12.0MAX	
Customized		

Detail Dimensions and Recommended PCB layout  
 Per customer specifications