

SUNLEI TECHNOLOGY CORP.

Ni-Zn SOFT FERRITE CORES-CU-Series

CU-Series For EMI suppression

Features

1. One hole rod type
2. Excellent heat resistance.
3. Available in various sizes & materials.
4. High reliability



Applications

- E.M.I. Suppression on round cable.
1. Computer and peripheral products
 2. Consumer electronic products
 3. Communication electronic products
 4. Measuring instruments

Product Identification

M2L CU 50- PF

M2L:Material Type CODE

CU: SERIES NAME

50: DIMENSION SIZE CODE=C

PF:Pb-Free

Shapes and Dimensions (mm)

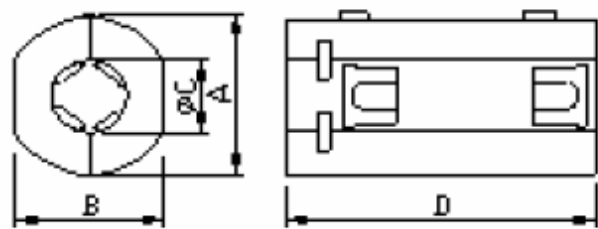
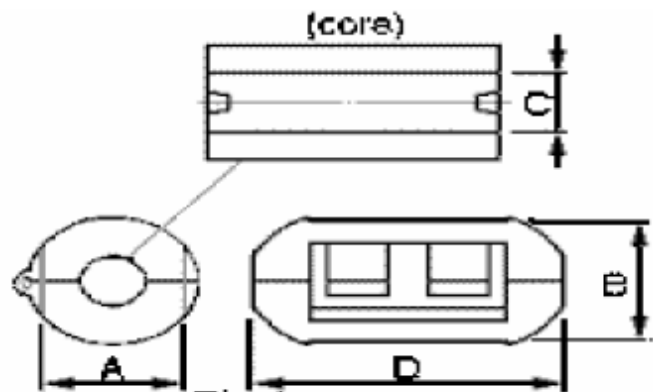


Fig-2

SUNLEI TECHNOLOGY CORP.

Ni-Zn SOFT FERRITE CORES

MATERIAL CHARACTERISTICS

Material	Practical Frequency	Initial permeability μ_{iac}	Relative loss factor $\tan \sigma / \mu_{iac}$	Temperature coefficient $\alpha \mu \gamma$	Saturation Flux density Bm	Remanence Br	Coercivity Hc	Curie Temperature Tc	Resistivity ρ	Density d
	MHz	μ_{iac}	$\times 10^{-6}$	$\times 10^{-6}/^{\circ}\text{C}$	Gauss	Gauss	Oersted	$^{\circ}\text{C}$	$\Omega \text{ cm}$	g/cm
M2L	0.1-1.5	700±25%	30(0.1)/150(1.5)	3	3100	1600	0.25	120	10^7	4.9
M3L	0.01-0.5	1500±25%	10(0.01)/60(0.5)	3	2800	1600	0.20	100	10^7	4.8
M4L	0.05-0.5	1000±25%	10(0.05)/45(0.5)	7	3500	1600	0.23	150	10^7	5.0
M5D	0.05-3.0	450±25%	15(0.01)/65(3.0)	20	4000	4000	0.30	180	10^7	5.1
M6D	0.1-2.0	500±25%	20(0.1)/90(2.0)	25	3900	2400	0.30	220	10^7	5.0
M11D	0.1-2.0	450±25%	15(0.05)/80(2.0)	25	4000	2400	0.30	200	10^7	5.0
M13D	0.05-2.0	400±25%	15(0.05)/80(2.0)	25	4100	2400	0.30	200	10^7	5.0
M5H	1.0-50	55±25%	150(1.0)/500(50)	80	3900	4000	5.50	300	10^7	4.8
M4S	1.0-30	650±25%	13(1.0)/90(5.0)	30	3900	4000	0.45	180	10^7	4.9
M5S	0.05-2.0	600±25%	15(0.05)/90(2.0)	25	3800	2500	0.40	180	10^7	4.9
M11F	0.05-1.0	800±25%	10(0.05)/60(1.0)	20	3500	2000	0.40	180	10^7	4.9

Ni-Zn SOFT FERRITE CORES

CU-Series For EMI suppression

Electrical Characteristics

Part Number	Dimensions (mm)				Typical Impedance(Ω)		Fig
	A	B	C	D	25MHz	100MHz	
CU35	14.00Max	15.00Max	4.00Max	25.00Max	72	150	1
CU50	15.80Max	16.20Max	5.00Max	29.10Max	70	145	1
CU75	19.80Max	20.50Max	7.80Max	39.10Max	100	200	1
CU90	22.00Max	22.40Max	9.50Max	43.20Max	125	210	1
CU0530	11.70Max	12.30Max	5.00Max	25.00Max	85	155	2
CU0730	15.50Max	15.00Max	7.30Max	18.50Max	38	104	2
CU0930	17.70Max	19.20Max	9.00Max	35.10Max	105	182	2
CU0931	19.00Max	19.30Max	9.00Max	31.30Max	110	170	2
CU0932	20.20Max	20.00Max	9.00Max	39.00Max	110	175	2
CU1130	21.50Max	21.00Max	12.00Max	37.00Max	62	120	2
CU1330	22.50Max	22.50Max	13.30Max	37.00Max	69	163	2

Test condition

Use copper line (length =10mm,outside diameter =0.65) to

test ferrite cores when the test frequency in 25MHz and 100MHz

Impedance Vs Frequency

