

SUNLEI TECHNOLOGY CORP.

SMD Power chokes- SBC Series

SBC-C series Shielded Inductors for low power loss Use

Features

- 1.High saturation for surface mounting
- 2.Avaible in magnetically shielded
- 3.Suitable for large currents.



Applications

VRT, OA equipment, LCD television sets,
Notebook computers, portable communications equipment,
DC/DC converters, etc.

Product Identification

SBC 62 LCB- 100 M -PF

SBC: SERIES NAME

62:Dimensions CODE

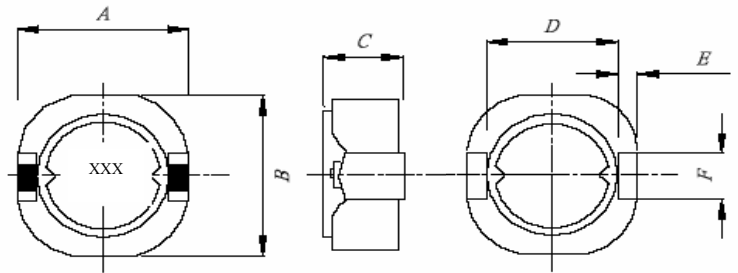
LCB:RI CORE TYPE

100: INDUCTANCE CODE.

M: TOLERANCE, K=10% M=20%.

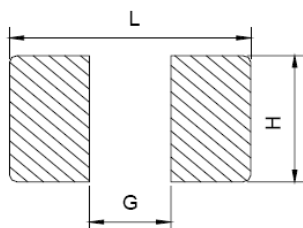
PF:Pb-Free

Dimensions (mm)



SERIES	A	B	C	D	E	F
SBC62LCB	6.3Max	6.3Max	2.0Max	4.8±0.3	0.6REF	2.0REF
SBC62CB	6.3Max	6.3Max	2.5Max	4.8±0.3	0.6REF	2.0REF
SBC63LCB	6.3Max	6.3Max	3.0Max	4.8±0.3	0.6REF	2.0REF
SBC63CB	6.3Max	6.3Max	3.5Max	4.8±0.3	0.6REF	2.0REF

RECOMMENDER P.C.B LAYOUT



SERIES	L	H	G
SBC62LCB	6.7	4.3	2.5
SBC62CB	6.7	4.3	2.5
SBC63LCB	6.7	4.3	2.5
SBC63CB	6.7	4.3	2.5

SMD Power chokes- SBC Series

Electrical Characteristics

Part Number	Inductance (uH)	Test Frequency L(KHz)	DC Resistance (Ω Max)	Rated current (A)Max	Itemp (A)Max
SBC62LCB-1R0□-PF	1.0	100	0.02	3.50	3.70
SBC62LCB1R5□-PF	1.5	100	0.024	2.94	3.33
SBC62LCB-2R0□-PF	2.0	100	0.03	2.47	3.20
SBC62LCB-3R3□-PF	3.3	100	0.049	1.99	2.84
SBC62LCB-4R7□-PF	4.7	100	0.069	1.59	2.20
SBC62LCB-6R2□-PF	6.2	100	0.085	1.49	1.85
SBC62LCB-8R2□-PF	8.2	100	0.106	1.25	1.57
SBC62LCB-100□-PF	10	100	0.134	1.22	1.41
SBC62LCB-120□-PF	12	100	0.16	0.99	1.33
SBC62LCB-150□-PF	15	100	0.195	0.94	1.24
SBC62LCB-180□-PF	18	100	0.23	0.83	1.11
SBC62LCB-220□-PF	22	100	0.264	0.80	0.99
SBC62LCB-270□-PF	27	100	0.344	0.65	0.89
SBC62LCB-330□-PF	33	100	0.46	0.63	0.80
SBC62LCB-390□-PF	39	100	0.585	0.55	0.72
SBC62LCB-470□-PF	47	100	0.65	0.50	0.68

Note:

- (1). All test data is referenced to 25°C ambient.
- (2). Operating Temperature Range-55°C to +105°C.
- (3). DC current(A)that will cause an approximate ΔT of 40°C.
- (4). DC current(A)that will cause Lo to drop approximately 10%.
- (5). □Tolerance of inductance $\pm 10\%$ (K) $\pm 20\%$ (M) $\pm 30\%$ (N)

SMD Power chokes- SBC Series

Electrical Characteristics

Part Number	Inductance (uH)	Test Frequency L(KHz)	DC Resistance (Ω Max)	Rated current (A)Max	Itemp (A)Max
SBC62CB-1R0□-PF	1.0	100	0.014	3.50	5.00
SBC62CB1R5□-PF	1.5	100	0.018	2.94	4.00
SBC62CB-2R0□-PF	2.0	100	0.021	2.50	3.40
SBC62CB-3R3□-PF	3.3	100	0.03	1.89	3.23
SBC62CB-4R3□-PF	4.3	100	0.039	1.65	3.00
SBC62CB-6R2□-PF	6.2	100	0.06	1.37	2.38
SBC62CB-100□-PF	10	100	0.08	1.07	1.82
SBC62CB-120□-PF	12	100	0.094	0.97	1.63
SBC62CB-150□-PF	15	100	0.12	0.87	1.46
SBC62CB-180□-PF	18	100	0.14	0.79	1.31
SBC62CB-220□-PF	22	100	0.188	0.71	1.17
SBC62CB-270□-PF	27	100	0.212	0.64	1.05
SBC62CB-330□-PF	33	100	0.244	0.58	0.94
SBC62CB-390□-PF	39	100	0.306	0.53	0.84
SBC62CB-470□-PF	47	100	0.39	0.48	0.76
SBC62CB-560□-PF	56	100	0.432	0.44	0.68
SBC62CB-680□-PF	68	100	0.588	0.40	0.65
SBC62CB-820□-PF	82	100	0.67	0.36	0.61
SBC62CB-101□-PF	100	100	0.813	0.33	0.58

Note:

- (1). All test data is referenced to 25°C ambient.
- (2). Operating Temperature Range-55°C to +105°C.
- (3). DC current(A)that will cause an approximate ΔT of 40°C.
- (4). DC current(A)that will cause Lo to drop approximately 10%.
- (5). □Tolerance of inductance $\pm 10\%$ (K) $\pm 20\%$ (M) $\pm 30\%$ (N)

SMD Power chokes- SBC Series

Electrical Characteristics

Part Number	Inductance (uH)	Test Frequency L(KHz)	DC Resistance (Ω Max)	Rated current (A)Max	Itemp (A)Max
SBC63LCB-1R0□-PF	1.0	100	0.014	3.59	4.80
SBC63LCB-1R5□-PF	1.5	100	0.016	2.93	4.60
SBC63LCB-2R2□-PF	2.2	100	0.02	2.42	4.37
SBC63LCB-3R6□-PF	3.6	100	0.027	1.89	4.15
SBC63LCB-4R7□-PF	4.7	100	0.034	1.66	3.80
SBC63LCB-6R2□-PF	6.2	100	0.04	1.45	3.42
SBC63LCB-100□-PF	10	100	0.062	1.14	2.91
SBC63LCB-120□-PF	12	100	0.066	1.04	2.60
SBC63LCB-150□-PF	15	100	0.079	0.93	2.22
SBC63LCB-180□-PF	18	100	0.1	0.85	1.99
SBC63LCB-220□-PF	22	100	0.12	0.77	1.50
SBC63LCB-270□-PF	27	100	0.15	0.70	1.42
SBC63LCB-330□-PF	33	100	0.175	0.63	1.35
SBC63LCB-390□-PF	39	100	0.188	0.58	1.21
SBC63LCB-470□-PF	47	100	0.235	0.53	1.14
SBC63LCB-560□-PF	56	100	0.275	0.48	1.02
SBC63LCB-680□-PF	68	100	0.338	0.44	0.92
SBC63LCB-820□-PF	82	100	0.413	0.40	0.89
SBC63LCB-101□-PF	100	100	0.519	0.36	0.80
SBC63LCB-151□-PF	150	100	0.778	0.31	0.60

Note:

- (1). All test data is referenced to 25°C ambient.
- (2). Operating Temperature Range-55°C to +105°C.
- (3). DC current(A)that will cause an approximate ΔT of 40°C.
- (4). DC current(A)that will cause Lo to drop approximately 10%.
- (5). □Tolerance of inductance $\pm 10\%$ (K) $\pm 20\%$ (M) $\pm 30\%$ (N)

SMD Power chokes- SBC Series

Electrical Characteristics

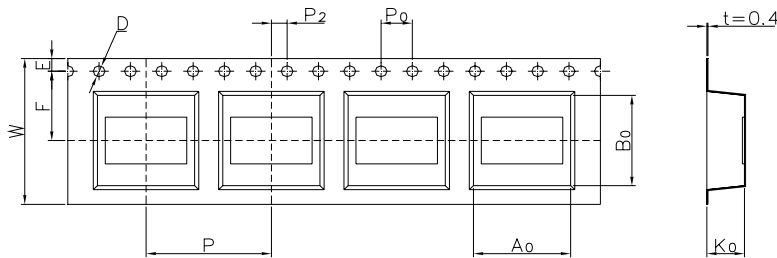
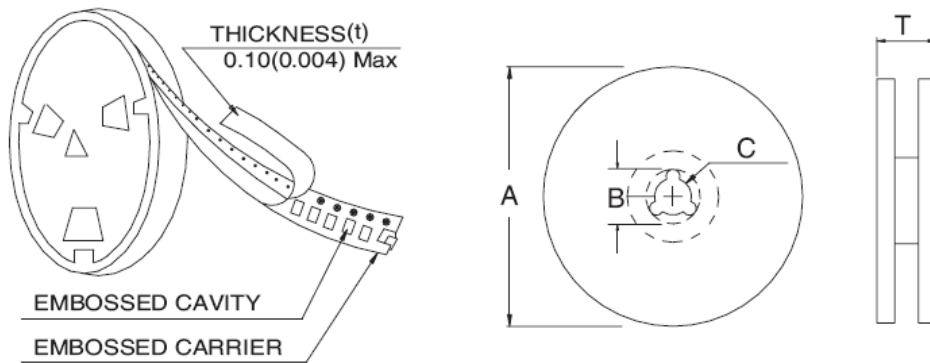
Part Number	Inductance (uH)	Test Frequency L(KHz)	DC Resistance (ΩMax)	Rated current (A)Max	Itemp (A)Max
SBC62CB-2R0□-PF	2.0	100	0.02	3.00	4.00
SBC62CB-2R7□-PF	2.7	100	0.023	2.69	3.60
SBC62CB-3R3□-PF	3.3	100	0.027	2.57	3.24
SBC62CB-4R7□-PF	4.7	100	0.033	2.08	3.10
SBC62CB-6R2□-PF	6.2	100	0.039	1.84	2.85
SBC62CB-8R2□-PF	8.2	100	0.045	1.54	2.70
SBC62CB-100□-PF	10	100	0.05	1.49	2.56
SBC62CB-120□-PF	12	100	0.065	1.28	2.43
SBC62CB-150□-PF	15	100	0.08	1.10	2.18
SBC62CB-180□-PF	18	100	0.085	1.05	2.07
SBC62CB-220□-PF	22	100	0.11	0.97	1.75
SBC62CB-270□-PF	27	100	0.146	0.82	1.67
SBC62CB-330□-PF	33	100	0.169	0.76	1.50
SBC62CB-390□-PF	39	100	0.198	0.70	1.42
SBC62CB-470□-PF	47	100	0.218	0.68	1.34
SBC62CB-560□-PF	56	100	0.268	0.60	1.20
SBC62CB-680□-PF	68	100	0.333	0.56	1.02
SBC62CB-820□-PF	82	100	0.436	0.47	0.91
SBC62CB-101□-PF	100	100	0.496	0.45	0.86
SBC62CB-151□-PF	150	100	0.69	0.37	0.77

Note:

- (1). All test data is referenced to 25°C ambient.
- (2). Operating Temperature Range-55°C to +105°C.
- (3). DC current(A)that will cause an approximate ΔT of 40°C.
- (4). DC current(A)that will cause Lo to drop approximately 10%.
- (5). □Tolerance of inductance $\pm 10\%$ (K) $\pm 20\%$ (M) $\pm 30\%$ (N)

PACKAGING

1.Configuration.



2.Dimension in mm

TYPE	A	B	C	T
12mm	330	100	21±0.8	16.4
16mm	330	100	21±0.8	20.4
24mm	330	100	21±0.8	28.4
32mm	330	100	21±0.8	36.4

SERIES	Ao(mm)	Bo(mm)	Ko(mm)	W(mm)	P(mm)	PCS/REEL
SBC62LCB	6.35±0.1	6.55±0.1	2.65±0.1	16±0.3	12±0.1	2000
SBC62CB	6.35±0.1	6.55±0.1	2.65±0.1	16±0.3	12±0.1	2000
SBC63LCB	6.35±0.1	6.55±0.1	3.65±0.1	16±0.3	12±0.1	1500
SBC63CB	6.35±0.1	6.55±0.1	3.65±0.1	16±0.3	12±0.1	1500