

SUNLEI TECHNOLOGY CORP.

SMD Power chokes- SCB-F Series

SCB-F series Unshielded Inductors for low power loss Use

Features

- 1.High saturation for surface mounting
- 2.Avaible in magnetically shielded
- 3.Suitable for large currents.



Applications

VRT, OA equipment, LCD television sets,
Notebook computers, portable communications equipment,
DC/DC converters, etc.

Product Identification

SCB 73F- 100 M -PF

SCB: SERIES NAME

73:Dimensions CODE

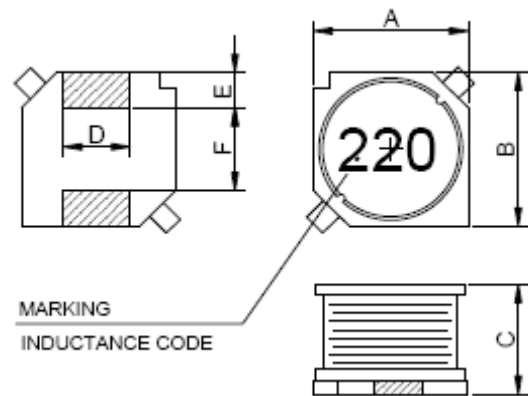
F: CORE TYPE

100: INDUCTANCE CODE.

M: TOLERANCE, K=10% M=20%.

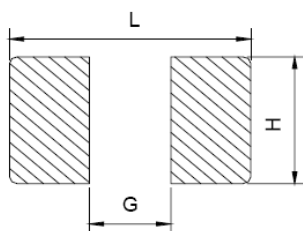
PF:Pb-Free

Dimensions (mm)



SERIES	A	B	C	D	E	F
SCB63F	6.0±0.3	6.0±0.3	2.9±0.3	2.0±0.2	1.5±0.2	3.0±0.2
SCB64F	6.0±0.3	6.0±0.3	3.9±0.3	2.0±0.2	1.5±0.2	3.0±0.2
SCB65F	6.0±0.3	6.0±0.3	4.9±0.3	2.0±0.2	1.5±0.2	3.0±0.2
SCB73F	7.0±0.3	7.0±0.3	3.0±0.3	2.0±0.2	1.5±0.2	4.0±0.2
SCB75F	7.0±0.3	7.0±0.3	4.6±0.3	2.0±0.2	1.5±0.2	4.0±0.2
SCB104F	10±0.3	10±0.3	4.6±0.3	2.4±0.2	2.0±0.2	6.0±0.2

RECOMMENDER P.C.B LAYOUT



SERIES	L	H	G
SCB63F	6.2	2.2	2.5
SCB64F	6.2	2.2	2.5
SCB65F	6.2	2.2	2.5
SCB73F	7.5	3.0	3.5
SCB75F	7.5	3.0	3.5
SCB104F	10.5	4.0	5.5

Electrical Characteristics

Part Number	Inductance (μH)	Test Frequency (KHz)	DCR (Ω)max.	IDC (A)max
SCB63F-1R2M-PF	1.2 \pm 20 %	100	0.025	2.80
SCB63F-1R5M-PF	1.5 \pm 20 %	100	0.028	2.60
SCB63F-2R2M-PF	2.2 \pm 20 %	100	0.03	2.30
SCB63F-3R3M-PF	3.3 \pm 20%	100	0.055	2.00
SCB63F-4R7M-PF	4.7 \pm 20 %	100	0.065	1.85
SCB63F-6R8M-PF	6.8 \pm 20%	100	0.09	1.65
SCB63F-100M-PF	10 \pm 20 %	100	0.115	1.45
SCB63F-120M-PF	12 \pm 20 %	100	0.15	1.20
SCB63F-150M-PF	15 \pm 20 %	100	0.18	1.15
SCB63F-180M-PF	18 \pm 20 %	100	0.23	1.05
SCB63F-220M-PF	22 \pm 20%	100	0.25	1.00
SCB63F-270M-PF	27 \pm 20%	100	0.35	0.95
SCB63F-330K-PF	33 \pm 10%	100	0.38	0.9
SCB63F-390K-PF	39 \pm 10 %	100	0.41	0.8
SCB63F-470K-PF	47 \pm 10%	100	0.43	0.75
SCB63F-560K-PF	56 \pm 10 %	100	0.62	0.70
SCB63F-680K-PF	68 \pm 10%	100	0.71	0.60
SCB63F-820K-PF	82 \pm 10%	100	0.73	0.50
SCB63F-101K-PF	100 \pm 10 %	100	1.05	0.48
SCB63F-121K-PF	120 \pm 10%	100	1.18	0.45
SCB63F-151K-PF	150 \pm 10%	100	1.80	0.40
SCB63F-181K-PF	180 \pm 10%	100	1.95	0.35
SCB63F-221K-PF	220 \pm 10 %	100	2.96	0.30
SCB63F-271K-PF	270 \pm 10%	100	3.45	0.28
SCB63F-331K-PF	330 \pm 10 %	100	3.80	0.26
SCB63F-391K-PF	390 \pm 10%	100	4	0.24
SCB63F-471K-PF	470 \pm 10%	100	4.4	0.22
SCB63F-561K-PF	560 \pm 10%	100	6.2	0.2
SCB63F-681K-PF	680 \pm 10 %	100	6.8	0.18
SCB63F-821K-PF	820 \pm 10 %	100	12	0.16
SCB63F-102K-PF	1000 \pm 10 %	100	13.5	0.14

Note:

- (1). All test data is referenced to 25°C ambient.
- (2). Operating Temperature Range-55°C to +105°C.
- (3). DC current(A)that will cause an approximate ΔT of 40°C.
- (4). DC current(A)that will cause Lo to drop approximately 10%.
- (5). □Tolerance of inductance \pm 10%(K) \pm 20%(M) \pm 30%(N)

SMD Power chokes- SCB-F Series

Electrical Characteristics

Part Number	Inductance (μ H)	Test Frequency (KHz)	DCR (Ω) _{max.}	IDC (A) _{max}
SCB64F-1R2M-PF	1.2 \pm 20 %	100	0.03	3.00
SCB64F-1R8M-PF	1.8 \pm 20 %	100	0.03	2.85
SCB64F-2R2M-PF	2.2 \pm 20 %	100	0.04	2.65
SCB64F-3R3M-PF	3.3 \pm 20%	100	0.04	2.35
SCB64F-4R7M-PF	4.7 \pm 20 %	100	0.05	2.15
SCB64F-6R8M-PF	6.8 \pm 20%	100	0.06	1.85
SCB64F-100M-PF	10 \pm 20 %	100	0.09	1.60
SCB64F-120M-PF	12 \pm 20 %	100	0.09	1.50
SCB64F-150M-PF	15 \pm 20 %	100	0.11	1.45
SCB64F-180M-PF	18 \pm 20 %	100	0.12	1.30
SCB64F-220M-PF	22 \pm 20%	100	0.16	1.25
SCB64F-270M-PF	27 \pm 20%	100	0.19	1.10
SCB64F-330K-PF	33 \pm 10%	100	0.28	1.00
SCB64F-390K-PF	39 \pm 10 %	100	0.30	0.90
SCB64F-470K-PF	47 \pm 10%	100	0.33	0.85
SCB64F-560K-PF	56 \pm 10 %	100	0.41	0.80
SCB64F-680K-PF	68 \pm 10%	100	0.45	0.70
SCB64F-820K-PF	82 \pm 10%	100	0.60	0.60
SCB64F-101K-PF	100 \pm 10 %	100	0.66	0.55
SCB64F-121K-PF	120 \pm 10%	100	0.72	0.50
SCB64F-151K-PF	150 \pm 10%	100	1.05	0.45
SCB64F-181K-PF	180 \pm 10%	100	1.15	0.40
SCB64F-221K-PF	220 \pm 10 %	100	1.25	0.35
SCB64F-271K-PF	270 \pm 10%	100	1.80	0.30
SCB64F-331K-PF	330 \pm 10 %	100	1.95	0.28
SCB64F-391K-PF	390 \pm 10%	100	2.78	0.25
SCB64F-471K-PF	470 \pm 10%	100	2.98	0.23
SCB64F-561K-PF	560 \pm 10%	100	3.30	0.21
SCB64F-681K-PF	680 \pm 10 %	100	5.10	0.20
SCB64F-821K-PF	820 \pm 10 %	100	5.40	0.18
SCB64F-102K-PF	1000 \pm 10 %	100	6.00	0.16

Note:

- (1). All test data is referenced to 25°C ambient.
- (2). Operating Temperature Range-55°C to +105°C.
- (3). DC current(A)that will cause an approximate Δ T of 40°C.
- (4). DC current(A)that will cause Lo to drop approximately 10%.
- (5). Tolerance of inductance \pm 10%(K) \pm 20%(M) \pm 30%(N)

SMD Power chokes- SCB-F Series

Electrical Characteristics

Part Number	Inductance (μH)	Test Frequency (KHz)	DCR (Ω)max.	IDC (A)max
SCB65F-1R2M-PF	1.2 \pm 20 %	100	0.028	3.50
SCB65F-1R5M-PF	1.5 \pm 20 %	100	0.030	3.00
SCB65F-2R2M-PF	2.2 \pm 20 %	100	0.035	2.70
SCB65F-3R3M-PF	3.3 \pm 20%	100	0.042	2.50
SCB65F-4R7M-PF	4.7 \pm 20 %	100	0.050	2.20
SCB65F-6R8M-PF	6.8 \pm 20%	100	0.060	2.00
SCB65F-100M-PF	10 \pm 20 %	100	0.070	1.80
SCB65F-120M-PF	12 \pm 20 %	100	0.080	1.60
SCB65F-150M-PF	15 \pm 20 %	100	0.090	1.50
SCB65F-180M-PF	18 \pm 20 %	100	0.095	1.30
SCB65F-220M-PF	22 \pm 20%	100	0.110	1.20
SCB65F-270M-PF	27 \pm 20%	100	0.130	1.10
SCB65F-330M-PF	33 \pm 20%	100	0.180	1.00
SCB65F-390M-PF	39 \pm 20 %	100	0.210	0.90
SCB65F-470M-PF	47 \pm 20%	100	0.220	0.80
SCB65F-560M-PF	56 \pm 20 %	100	0.250	0.75
SCB65F-680M-PF	68 \pm 20%	100	0.300	0.70
SCB65F-820M-PF	82 \pm 20%	100	0.390	0.60
SCB65F-101K-PF	100 \pm 10 %	100	0.430	0.55
SCB65F-121K-PF	120 \pm 10%	100	0.500	0.50
SCB65F-151K-PF	150 \pm 10%	100	0.620	0.45
SCB65F-181K-PF	180 \pm 10%	100	0.690	0.40
SCB65F-221K-PF	220 \pm 10 %	100	0.890	0.38
SCB65F-271K-PF	270 \pm 10%	100	1.000	0.35
SCB65F-331K-PF	330 \pm 10 %	100	1.400	0.32
SCB65F-391K-PF	390 \pm 10%	100	1.500	0.30
SCB65F-471K-PF	470 \pm 10%	100	2.000	0.28
SCB65F-561K-PF	560 \pm 10%	100	2.300	0.25
SCB65F-681K-PF	680 \pm 10 %	100	3.200	0.20
SCB65F-821K-PF	820 \pm 10 %	100	3.500	0.18
SCB65F-102K-PF	1000 \pm 10 %	100	4.100	0.16

Note:

- (1). All test data is referenced to 25°C ambient.
- (2). Operating Temperature Range-55°C to +105°C.
- (3). DC current(A)that will cause an approximate ΔT of 40°C.
- (4). DC current(A)that will cause Lo to drop approximately 10%.
- (5). Tolerance of inductance \pm 10%(K) \pm 20%(M) \pm 30%(N)

SMD Power chokes- SCB-F Series

Electrical Characteristics

Part Number	Inductance (μ H)	Test Frequency (KHz)	DCR (Ω) _{max.}	IDC (A) _{max}
SCB73F-1R0M-PF	1.0 \pm 20 %	100	0.020	3.20
SCB73F-1R5M-PF	1.5 \pm 20 %	100	0.025	2.80
SCB73F-2R2M-PF	2.2 \pm 20 %	100	0.035	2.50
SCB73F-3R3M-PF	3.3 \pm 20%	100	0.040	2.20
SCB73F-4R7M-PF	4.7 \pm 20 %	100	0.045	2.00
SCB73F-6R8M-PF	6.8 \pm 20%	100	0.060	1.60
SCB73F-100M-PF	10 \pm 20 %	100	0.080	1.40
SCB73F-120M-PF	12 \pm 20 %	100	0.085	1.30
SCB73F-150M-PF	15 \pm 20 %	100	0.110	1.10
SCB73F-180M-PF	18 \pm 20 %	100	0.130	1.05
SCB73F-220M-PF	22 \pm 20%	100	0.150	1.00
SCB73F-270M-PF	27 \pm 20%	100	0.190	0.95
SCB73F-330M-PF	33 \pm 20%	100	0.210	0.85
SCB73F-390M-PF	39 \pm 20 %	100	0.270	0.75
SCB73F-470M-PF	47 \pm 20%	100	0.310	0.70
SCB73F-560M-PF	56 \pm 20 %	100	0.390	0.65
SCB73F-680M-PF	68 \pm 20%	100	0.430	0.60
SCB73F-820M-PF	82 \pm 20%	100	0.490	0.50
SCB73F-101K-PF	100 \pm 10 %	100	0.650	0.45
SCB73F-121K-PF	120 \pm 10%	100	0.700	0.40
SCB73F-151K-PF	150 \pm 10%	100	0.850	0.35
SCB73F-181K-PF	180 \pm 10%	100	1.100	0.33
SCB73F-221K-PF	220 \pm 10 %	100	1.250	0.30
SCB73F-271K-PF	270 \pm 10%	100	1.450	0.28
SCB73F-331K-PF	330 \pm 10 %	100	2.000	0.25
SCB73F-391K-PF	390 \pm 10%	100	2.250	0.23
SCB73F-471K-PF	470 \pm 10%	100	2.600	0.22
SCB73F-561K-PF	560 \pm 10%	100	3.700	0.20
SCB73F-681K-PF	680 \pm 10 %	100	4.300	0.18
SCB73F-821K-PF	820 \pm 10 %	100	4.900	0.16
SCB73F-102K-PF	1000 \pm 10 %	100	5.600	0.15

Note:

- (1). All test data is referenced to 25°C ambient.
- (2). Operating Temperature Range-55°C to +105°C.
- (3). DC current(A)that will cause an approximate Δ T of 40°C.
- (4). DC current(A)that will cause Lo to drop approximately 10%.
- (5). □Tolerance of inductance \pm 10%(K) \pm 20%(M) \pm 30%(N)

SMD Power chokes- SCB-F Series

Electrical Characteristics

Part Number	Inductance (μH)	Test Frequency (KHz)	DCR (Ω) _{max.}	IDC (A) _{max}
SCB75F-1R0M-PF	1.0 \pm 20 %	100	0.023	3.50
SCB75F-1R5M-PF	1.5 \pm 20 %	100	0.028	3.20
SCB75F-2R2M-PF	2.2 \pm 20 %	100	0.033	3.30
SCB75F-3R3M-PF	3.3 \pm 20%	100	0.040	2.70
SCB75F-4R7M-PF	4.7 \pm 20 %	100	0.050	2.50
SCB75F-6R8M-PF	6.8 \pm 20%	100	0.060	2.20
SCB75F-100M-PF	10 \pm 20 %	100	0.075	2.00
SCB75F-120M-PF	12 \pm 20 %	100	0.085	1.90
SCB75F-150M-PF	15 \pm 20 %	100	0.090	1.50
SCB75F-180M-PF	18 \pm 20 %	100	0.100	1.40
SCB75F-220M-PF	22 \pm 20%	100	0.120	1.30
SCB75F-270M-PF	27 \pm 20%	100	0.150	1.20
SCB75F-330M-PF	33 \pm 20%	100	0.180	1.10
SCB75F-390M-PF	39 \pm 20 %	100	0.190	1.00
SCB75F-470M-PF	47 \pm 20%	100	0.220	0.90
SCB75F-560M-PF	56 \pm 20 %	100	0.250	0.85
SCB75F-680M-PF	68 \pm 20%	100	0.270	0.80
SCB75F-820M-PF	82 \pm 20%	100	0.380	0.70
SCB75F-101K-PF	100 \pm 10 %	100	0.420	0.65
SCB75F-121K-PF	120 \pm 10%	100	0.520	0.60
SCB75F-151K-PF	150 \pm 10%	100	0.580	0.50
SCB75F-181K-PF	180 \pm 10%	100	0.650	0.45
SCB75F-221K-PF	220 \pm 10 %	100	0.880	0.40
SCB75F-271K-PF	270 \pm 10%	100	0.990	0.35
SCB75F-331K-PF	330 \pm 10 %	100	1.100	0.32
SCB75F-391K-PF	390 \pm 10%	100	1.400	0.30
SCB75F-471K-PF	470 \pm 10%	100	1.900	0.28
SCB75F-561K-PF	560 \pm 10%	100	2.200	0.25
SCB75F-681K-PF	680 \pm 10 %	100	2.500	0.22
SCB75F-821K-PF	820 \pm 10 %	100	2.900	0.20
SCB75F-102K-PF	1000 \pm 10 %	100	4.000	0.18

Note:

- (1). All test data is referenced to 25°C ambient.
- (2). Operating Temperature Range-55°C to +105°C.
- (3). DC current(A)that will cause an approximate ΔT of 40°C.
- (4). DC current(A)that will cause Lo to drop approximately 10%.
- (5). □Tolerance of inductance \pm 10%(K) \pm 20%(M) \pm 30%(N)

SMD Power chokes- SCB-F Series

Electrical Characteristics

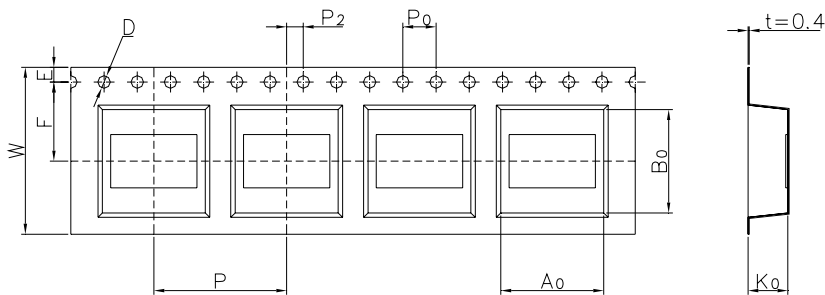
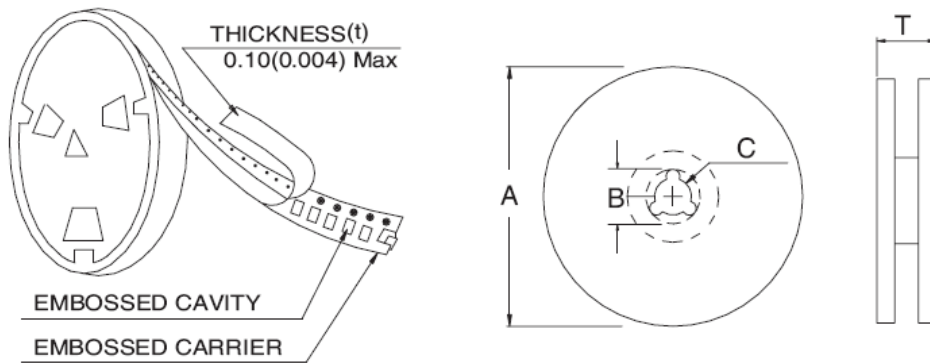
Part Number	Inductance (μ H)	Test Frequency (KHz)	DCR (Ω)max.	IDC (A)max
SCB104F-1R8M-PF	1.8 \pm 20 %	100	0.023	5.50
SCB104F-2R7M-PF	2.7 \pm 20 %	100	0.025	5.00
SCB104F-3R9M-PF	3.9 \pm 20 %	100	0.030	4.50
SCB104F-4R7M-PF	4.7 \pm 20 %	100	0.035	4.00
SCB104F-6R8M-PF	6.8 \pm 20%	100	0.040	3.80
SCB104F-100M-PF	10 \pm 20 %	100	0.050	3.30
SCB104F-120M-PF	12 \pm 20 %	100	0.055	3.20
SCB104F-150M-PF	15 \pm 20 %	100	0.065	3.00
SCB104F-180M-PF	18 \pm 20 %	100	0.070	2.70
SCB104F-220M-PF	22 \pm 20%	100	0.080	2.60
SCB104F-270M-PF	27 \pm 20%	100	0.090	2.40
SCB104F-330M-PF	33 \pm 20%	100	0.110	2.00
SCB104F-390M-PF	39 \pm 20 %	100	0.120	1.90
SCB104F-470M-PF	47 \pm 20%	100	0.130	1.80
SCB104F-560M-PF	56 \pm 20 %	100	0.180	1.60
SCB104F-680M-PF	68 \pm 20%	100	0.210	1.40
SCB104F-820M-PF	82 \pm 20%	100	0.240	1.30
SCB104F-101K-PF	100 \pm 10 %	100	0.290	1.20
SCB104F-121K-PF	120 \pm 10%	100	0.340	1.10
SCB104F-151K-PF	150 \pm 10%	100	0.470	1.00
SCB104F-181K-PF	180 \pm 10%	100	0.530	0.90
SCB104F-221K-PF	220 \pm 10 %	100	0.730	0.80
SCB104F-271K-PF	270 \pm 10%	100	0.830	0.70
SCB104F-331K-PF	330 \pm 10 %	100	0.990	0.65
SCB104F-391K-PF	390 \pm 10%	100	1.100	0.60
SCB104F-471K-PF	470 \pm 10%	100	1.250	0.55
SCB104F-561K-PF	560 \pm 10%	100	1.600	0.50
SCB104F-681K-PF	680 \pm 10 %	100	1.800	0.45
SCB104F-821K-PF	820 \pm 10 %	100	2.060	0.40
SCB104F-102K-PF	1000 \pm 10 %	100	2.800	0.38

Note:

- (1). All test data is referenced to 25°C ambient.
- (2). Operating Temperature Range-55°C to +105°C.
- (3). DC current(A)that will cause an approximate Δ T of 40°C.
- (4). DC current(A)that will cause Lo to drop approximately 10%.
- (5). □Tolerance of inductance \pm 10%(K) \pm 20%(M) \pm 30%(N)

PACKAGING

1.Configuration.



2.Dimension in mm

TYPE	A	B	C	T
12mm	330	100	21±0.8	16.4
16mm	330	100	21±0.8	20.4
24mm	330	100	21±0.8	28.4
32mm	330	100	21±0.8	36.4

SERIES	Ao(mm)	Bo(mm)	Ko(mm)	W(mm)	P(mm)	PCS/REEL
SCB63F	6.4±0.1	6.4±0.1	3.5±0.1	16±0.3	12±0.1	1000
SCB64F	6.4±0.1	6.4±0.1	4.5±0.1	16±0.3	12±0.1	1000
SCB65F	6.4±0.1	6.4±0.1	5.5±0.1	16±0.3	12±0.1	1000
SCB73F	7.5±0.1	7.5±0.1	3.5±0.1	16±0.3	12±0.1	1000
SCB75F	7.5±0.1	7.5±0.1	5.0±0.1	16±0.3	12±0.1	1000
SCB104F	10.5±0.1	10.5±0.1	5.0±0.1	24±0.3	16±0.1	500