

# SUNLEI TECHNOLOGY CORP.

## SMD Power chokes- SCR Series

SCR series Shielded Inductors for low power loss Use

### Features

Various high power inductors are superior to be high saturation for surface mounting.



### Applications

Power supply for VTR,OA equipment,  
LCD television set,notebook PC,  
portable communication,equipments,  
DC/DC converters,etc.

### Product Identification

SCR 63B – 100 M -PF

SCR: SERIES NAME

60:Dimensions CODE

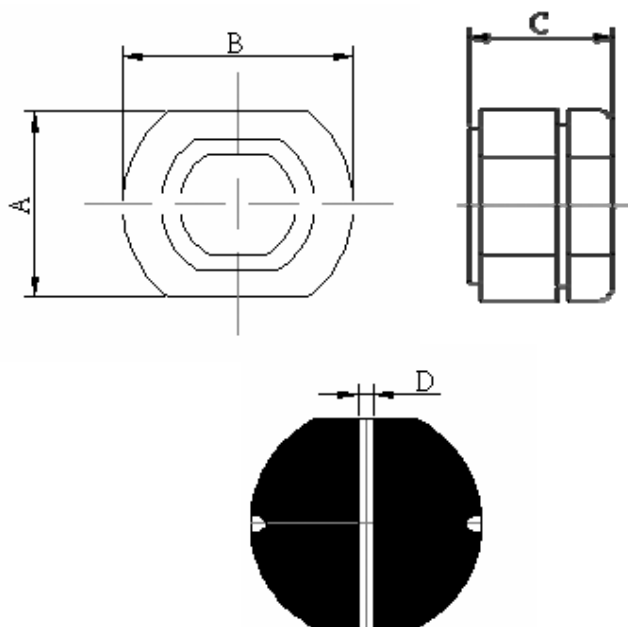
B:RI CORE TYPE

100: INDUCTANCE CODE.

M: TOLERANCE, K=10% M=20%.

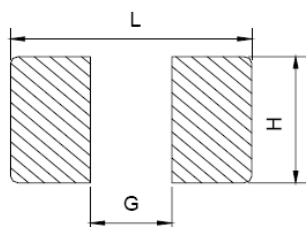
PF:Pb-Free

### Dimensions (mm)



SERIES	A	B	C	D
SCR63B	5.6±0.3	6.2±0.3	3.5MAX	1.5REF
SCR74B	7.0±0.5	7.8±0.5	5.0MAX	2.1REF
SCR105B	9.0±0.5	10.0±0.5	5.5MAX	2.9REF
SCR125B	11.6±0.5	12.6±0.5	5.9MAX	3.0REF

### RECOMMENDER P.C.B LAYOUT



SERIES	L	H	G
SCR63B	6.2	5.8	1.4
SCR74B	8.0	7.2	1.6
SCR105B	10.5	9.2	2.1
SCR125B	12.7	12.0	2.5

## SMD Power chokes- SCR Series

### Electrical Characteristics

Part Number	Inductance ( $\mu$ H)	Test Frequency (Hz)	DC Resistance ( $\Omega$ Max)	Rated current (A)Max	Itemp(A) Max
SCR63B-100□-PF	10	100KHz	0.14	1.00	1.80
SCR63B-120□-PF	12	100KHz	0.16	0.94	0.53
SCR63B-150□-PF	15	100KHz	0.18	0.86	1.37
SCR63B-180□-PF	18	100KHz	0.25	0.78	1.23
SCR63B-220□-PF	22	100KHz	0.32	0.76	1.10
SCR63B-270□-PF	27	100KHz	0.36	0.64	0.99
SCR63B-330□-PF	33	100KHz	0.41	0.61	0.89
SCR63B-390□-PF	39	100KHz	0.47	0.53	0.80
SCR63B-470□-PF	47	100KHz	0.51	0.50	0.72
SCR63B-560□-PF	56	100KHz	0.72	0.46	0.64
SCR63B-680□-PF	68	100KHz	0.82	0.42	0.57

Note:

- (1). All test data is referenced to 25°C ambient.
- (2). Operating Temperature Range-55°C to +105°C.
- (3). DC current(A)that will cause an approximate $\Delta$ T of 40°C.
- (4). DC current(A)that will cause Lo to drop approximately 10%.
- (5). □Tolerance of inductance $\pm$ 10%(K)  $\pm$ 20%(M)  $\pm$ 30%(N)

## SMD Power chokes- SCR Series

### Electrical Characteristics

Part Number	Inductance ( $\mu$ H)	Test Frequency (Hz)	DC Resistance ( $\Omega$ Max)	Rated current (A)Max	Itemp(A) Max
SCR74B-100□-PF	10	100KHz	0.07	1.65	3.30
SCR74B-120□-PF	12	100KHz	0.07	1.57	3.00
SCR74B-150□-PF	15	100KHz	0.08	1.39	2.70
SCR74B-180□-PF	18	100KHz	0.10	1.29	2.43
SCR74B-220□-PF	22	100KHz	0.13	1.12	2.18
SCR74B-270□-PF	27	100KHz	0.16	1.06	1.96
SCR74B-330□-PF	33	100KHz	0.18	0.97	1.74
SCR74B-390□-PF	39	100KHz	0.18	0.91	1.64
SCR74B-470□-PF	47	100KHz	0.27	0.80	1.55
SCR74B-560□-PF	56	100KHz	0.29	0.76	1.47
SCR74B-680□-PF	68	100KHz	0.33	0.68	1.32
SCR74B-820□-PF	82	100KHz	0.43	0.62	1.20
SCR74B-101□-PF	100	1KHZ	0.49	0.55	1.14
SCR74B-121□-PF	120	1KHZ	0.68	0.49	1.08
SCR74B-151□-PF	150	1KHZ	0.94	0.44	0.97
SCR74B-181□-PF	180	1KHZ	1.00	0.40	0.87
SCR74B-221□-PF	220	1KHZ	1.18	0.36	0.78
SCR74B-271□-PF	270	1KHZ	1.30	0.33	0.70

Note:

- (1). All test data is referenced to 25°C ambient.
- (2). Operating Temperature Range-55°C to +105°C.
- (3). DC current(A)that will cause an approximate $\Delta$ T of 40°C.
- (4). DC current(A)that will cause Lo to drop approximately 10%.
- (5). □ Tolerance of inductance $\pm$ 10%(K)  $\pm$ 20%(M)  $\pm$ 30%(N)

## SMD Power chokes- SCR Series

### Electrical Characteristics

Part Number	Inductance ( $\mu$ H)	Test Frequency (Hz)	DC Resistance ( $\Omega$ Max)	Rated current (A)Max	Itemp(A) Max
SCR105B-4R7□-PF	4.7	100KHz	0.036	3	4.80
SCR105B-100□-PF	10	100KHz	0.06	2.06	4.40
SCR105B-120□-PF	12	100KHz	0.07	1.94	4.00
SCR105B-150□-PF	15	100KHz	0.07	1.72	3.60
SCR105B-180□-PF	18	100KHz	0.08	1.58	3.24
SCR105B-220□-PF	22	100KHz	0.08	1.42	2.92
SCR105B-270□-PF	27	100KHz	0.1	1.32	2.63
SCR105B-330□-PF	33	100KHz	0.11	1.16	2.37
SCR105B-390□-PF	39	100KHz	0.12	1.1	2.14
SCR105B-470□-PF	47	100KHz	0.14	1	1.93
SCR105B-560□-PF	56	100KHz	0.19	0.93	1.74
SCR105B-680□-PF	68	100KHz	0.21	0.85	1.66
SCR105B-820□-PF	82	100KHz	0.28	0.79	1.57
SCR105B-101□-PF	100	1KHZ	0.34	0.72	1.42
SCR105B-121□-PF	120	1KHZ	0.37	0.63	1.28
SCR105B-151□-PF	150	1KHZ	0.51	0.55	1.16
SCR105B-181□-PF	180	1KHZ	0.57	0.5	1.05
SCR105B-221□-PF	220	1KHZ	0.78	0.47	0.9
SCR105B-271□-PF	270	1KHZ	0.87	0.41	0.86
SCR105B-331□-PF	330	1KHZ	1.2	0.37	0.78
SCR105B-391□-PF	390	1KHZ	1.34	0.35	0.7
SCR105B-471□-PF	470	1KHZ	1.5	0.33	0.63

Note:

- (1). All test data is referenced to 25°C ambient.
- (2). Operating Temperature Range-55°C to +105°C.
- (3). DC current(A)that will cause an approximate $\Delta$ T of 40°C.
- (4). DC current(A)that will cause Lo to drop approximately 10%.
- (5). □Tolerance of inductance $\pm$ 10%(K)  $\pm$ 20%(M)  $\pm$ 30%(N)

## SMD Power chokes- SCR Series

### Electrical Characteristics

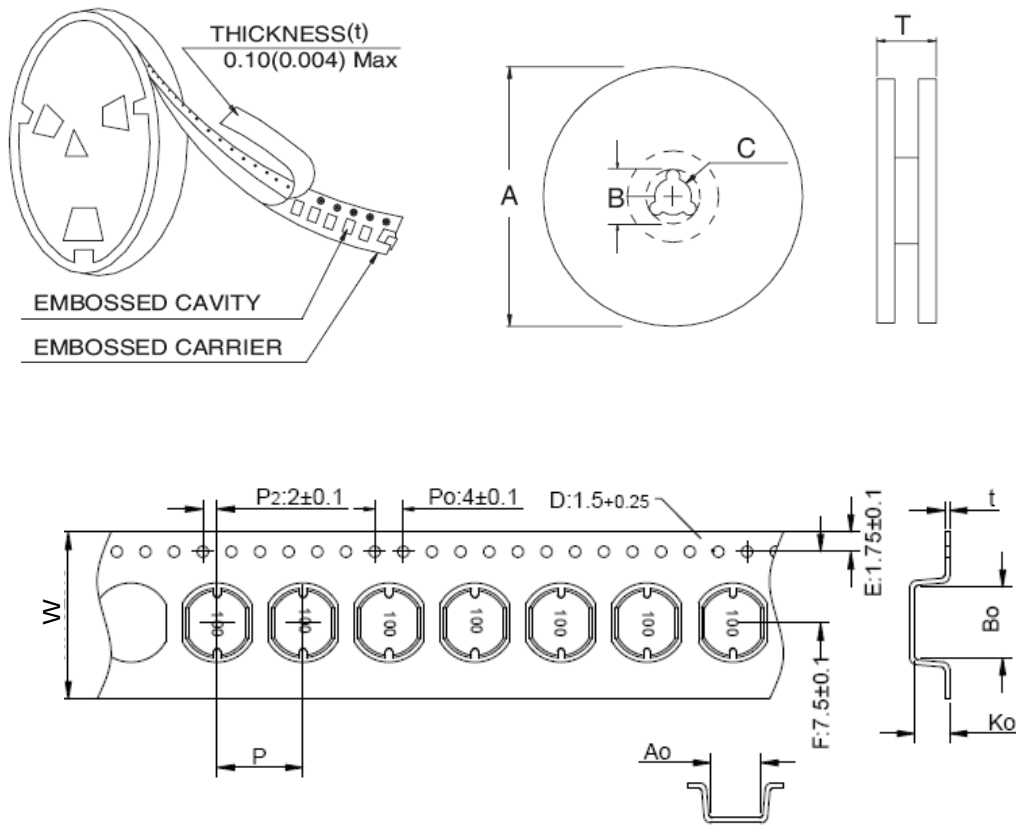
Part Number	Inductance ( $\mu$ H)	Test Frequency (Hz)	DC Resistance ( $\Omega$ Max)	Rated current (A)Max	Itemp(A) Max
SCR125B-100□-PF	10	2.52MHZ	0.05	2.65	6.00
SCR125B-120□-PF	12	2.52MHZ	0.05	2.5	5.40
SCR125B-150□-PF	15	2.52MHZ	0.06	2.45	5.10
SCR125B-180□-PF	18	2.52MHZ	0.06	2.4	4.80
SCR125B-220□-PF	22	2.52MHZ	0.07	2.2	4.32
SCR125B-270□-PF	27	2.52MHZ	0.08	2	3.88
SCR125B-330□-PF	33	2.52MHZ	0.1	1.8	3.49
SCR125B-390□-PF	39	2.52MHZ	0.11	1.62	3.14
SCR125B-470□-PF	47	2.52MHZ	0.12	1.5	2.82
SCR125B-560□-PF	56	2.52MHZ	0.15	1.38	2.67
SCR125B-680□-PF	68	2.52MHZ	0.17	1.26	2.53
SCR125B-820□-PF	82	2.52MHZ	0.2	1.14	2.40
SCR125B-101□-PF	100	1KHZ	0.25	1.05	2.28
SCR125B-121□-PF	120	1KHZ	0.28	0.95	2.17
SCR125B-151□-PF	150	1KHZ	0.4	0.85	2.05
SCR125B-181□-PF	180	1KHZ	0.48	0.77	1.95
SCR125B-221□-PF	220	1KHZ	0.52	0.7	1.75
SCR125B-271□-PF	270	1KHZ	0.7	0.63	1.57
SCR125B-331□-PF	330	1KHZ	0.8	0.57	1.33
SCR125B-391□-PF	390	1KHZ	1.08	0.52	1.13
SCR125B-471□-PF	470	1KHZ	1.2	0.48	1.01
SCR125B-561□-PF	560	1KHZ	1.34	0.44	0.91
SCR125B-681□-PF	680	1KHZ	1.78	0.4	0.81
SCR125B-821□-PF	820	1KHZ	2	0.36	0.74

Note:

- (1). All test data is referenced to 25°C ambient.
- (2). Operating Temperature Range-55°C to +105°C.
- (3). DC current(A)that will cause an approximate $\Delta$ T of 40°C.
- (4). DC current(A)that will cause Lo to drop approximately 10%.
- (5). □Tolerance of inductance $\pm$ 10%(K)  $\pm$ 20%(M)  $\pm$ 30%(N)

## PACKAGING

### 1. Configuration.



### 2. Dimension in mm

TYPE	A	B	C	T
12mm	330	100	21±0.8	16.4
16mm	330	100	21±0.8	20.4
24mm	330	100	21±0.8	28.4
32mm	330	100	21±0.8	36.4

SERIES	Ao(mm)	Bo(mm)	Ko(mm)	W(mm)	P(mm)	PCS/REEL
SCR63B	5.9±0.1	6.5±0.1	3.6±0.1	12±0.3	8±0.1	1500
SCR74B	7.3±0.1	8.0±0.1	5.3±0.1	16±0.3	12±0.1	1000
SCR105B	9.6±0.1	10.5±0.1	5.8±0.1	24±0.3	12±0.1	500
SCR125B	12.0±0.1	12.9±0.1	5.8±0.1	24±0.3	12±0.1	500