

# SUNLEI TECHNOLOGY CORP.

## SMD Power chokes- SCRH Series

SCRH series chokes For High Energy Storage & Lower Power losses Use

### Features

1. Available in magnetically shielded.
2. Low DC resistance.
3. Suitable for large currents.
4. Ideal for a variety of DC - DC converter inductor applications.
5. Available on tape and reel for auto surface mounting.



### Applications

Power supply for VTRs.OA equipment.  
 LCD televisions.Notebook PCs.  
 Portable communication equipment.  
 DC / DC converters, etc.

### Product Identification

SCRH 127 – 100 M -PF

SCRH: SERIES NAME

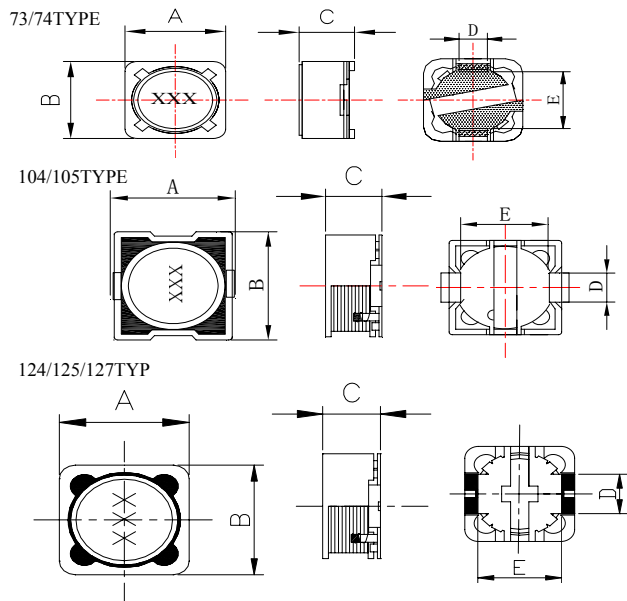
127: DIMENSION SIZE CODE

100: INDUCTANCE CODE.

M: TOLERANCE, J=5% K=10% M=20%.

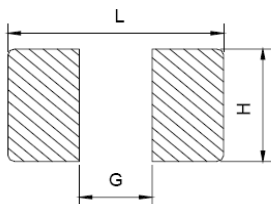
PF:Pb-Free

### Dimensions (mm)



SERIES	A	B	C	D	E
SCRH73	7.3±0.5	7.3±0.5	3.5MAX	1.8±0.5	5.4±0.5
SCRH74	7.3±0.5	7.3±0.5	4.5MAX	1.8±0.5	5.4±0.5
SCRH104	10.1±0.5	10.1±0.5	5.0MAX	3.8±0.5	6.0±0.5
SCRH105	10.1±0.5	10.1±0.5	6.0MAX	3.8±0.5	6.0±0.5
SCRH124	12.0±0.5	12.0±0.5	5.0MAX	5.0±0.5	7.6±0.5
SCRH125	12.0±0.5	12.0±0.5	6.0MAX	5.0±0.5	7.6±0.5
SCRH127	12.0±0.5	12.0±0.5	8.0MAX	5.0±0.5	7.6±0.5

### RECOMMENDER P.C.B LAYOUT



SERIES	L	H	G
SCRH73	8.0	2.2	4.8
SCRH74	8.0	2.2	4.8
SCRH104	10.1	4.0	5.5
SCRH105	10.1	4.0	5.5
SCRH124	12.6	5.4	7.0
SCRH125	12.6	5.4	7.0
SCRH127	12.6	5.4	7.0

## SMD POWER CHOKE-SCRH Series

### Electrical Characteristics

Part Number	Inductance ( $\mu$ H)	Test Frequency (KHz)	DC Resistance ( $\Omega$ Max)	Rated current (A)Max	Itemp(A) Max
SCRH73-1R2□-PF	1.2	100	0.020	6.00	7.20
SCRH73-1R5□-PF	1.5	100	0.026	6.00	6.50
SCRH73-2R2□-PF	2.2	100	0.032	5.00	5.40
SCRH74-3R3□-PF	3.3	100	0.038	4.50	4.80
SCRH73-4R7□-PF	4.7	100	0.048	3.65	4.00
SCRH73-5R6□-PF	5.6	100	0.051	2.50	3.50
SCRH73-6R8□-PF	6.8	100	0.068	2.40	2.60
SCRH73-8R2□-PF	8.2	100	0.070	1.80	2.10
SCRH73-100□-PF	10	1	0.072	1.68	1.68
SCRH73-120□-PF	12	1	0.098	1.52	1.52
SCRH73-150□-PF	15	1	0.13	1.33	1.46
SCRH73-180□-PF	18	1	0.14	1.2	1.44
SCRH73-220□-PF	22	1	0.19	1.07	1.28
SCRH73-270□-PF	27	1	0.21	0.96	1.26
SCRH73-330□-PF	33	1	0.24	0.91	1.18
SCRH73-390□-PF	39	1	0.32	0.77	1.00
SCRH73-470□-PF	47	1	0.36	0.76	0.91
SCRH73-560□-PF	56	1	0.47	0.68	0.81
SCRH73-680□-PF	68	1	0.52	0.61	0.79
SCRH73-820□-PF	82	1	0.69	0.57	0.74
SCRH73-101□-PF	100	1	0.79	0.5	0.65
SCRH73-121□-PF	120	1	0.89	0.49	0.63
SCRH73-151□-PF	150	1	1.27	0.43	0.55
SCRH73-181□-PF	180	1	1.45	0.39	0.51
SCRH73-221□-PF	220	1	1.65	0.35	0.46
SCRH73-271□-PF	270	1	2.31	0.32	0.45
SCRH73-331□-PF	330	1	2.62	0.28	0.4
SCRH73-391□-PF	390	1	2.94	0.26	0.37
SCRH73-471□-PF	470	1	4.18	0.24	0.34
SCRH73-561□-PF	560	1	4.67	0.22	0.31
SCRH73-681□-PF	680	1	5.73	0.19	0.27
SCRH73-821□-PF	820	1	6.54	0.18	0.25
SCRH73-102□-PF	1000	1	9.44	0.16	0.23

Note:

- (1). All test data is referenced to 25°C ambient.
- (2). Operating Temperature Range-25°C to +105°C.
- (3). DC current(A)that will cause an approximate $\Delta$ T of 40°C.
- (4). DC current(A)that will cause Lo to drop approximately 25%.
- (5). □Tolerance of inductance:±10%(K)±20%(M) ±30%(N)

# SMD POWER CHOKE-SCRH Series

## Electrical Characteristics

Part Number	Inductance ( $\mu$ H)	Test Frequency (KHz)	DC Resistance ( $\Omega$ Max)	Rated current (A)Max	Itemp(A) Max
SCRH74-1R0□-PF	1.0	100	0.024	7.00	7.80
SCRH74-1R5□-PF	1.5	100	0.026	6.00	7.10
SCRH74-2R2□-PF	2.2	100	0.028	4.20	6.20
SCRH74-3R3□-PF	3.3	100	0.029	4.30	5.30
SCRH74-3R9□-PF	3.9	100	0.032	4.10	4.50
SCRH74-4R7□-PF	4.7	100	0.038	3.00	3.50
SCRH74-5R6□-PF	5.6	100	0.042	2.50	3.00
SCRH74-6R8□-PF	6.8	100	0.045	2.00	3.00
SCRH74-8R2□-PF	8.2	100	0.049	2.00	2.50
SCRH74-100□-PF	10	1	0.049	1.84	2.4
SCRH74-120□-PF	12	1	0.058	1.71	2.21
SCRH74-150□-PF	15	1	0.081	1.47	2.09
SCRH74-180□-PF	18	1	0.091	1.31	1.81
SCRH74-220□-PF	22	1	0.11	1.23	1.73
SCRH74-270□-PF	27	1	0.15	1.12	1.60
SCRH74-330□-PF	33	1	0.17	0.96	1.36
SCRH74-390□-PF	39	1	0.23	0.91	1.26
SCRH74-470□-PF	47	1	0.26	0.88	1.18
SCRH74-560□-PF	56	1	0.35	0.75	1.05
SCRH74-680□-PF	68	1	0.38	0.69	1.04
SCRH74-820□-PF	82	1	0.43	0.61	0.91
SCRH74-101□-PF	100	1	0.61	0.6	0.75
SCRH74-121□-PF	120	1	0.66	0.52	0.7
SCRH74-151□-PF	150	1	0.88	0.46	0.65
SCRH74-181□-PF	180	1	0.98	0.42	0.6
SCRH74-221□-PF	220	1	1.17	0.36	0.55
SCRH74-271□-PF	270	1	1.64	0.34	0.52
SCRH74-331□-PF	330	1	1.86	0.32	0.47
SCRH74-391□-PF	390	1	2.85	0.29	0.42
SCRH74-471□-PF	470	1	3.01	0.26	0.38
SCRH74-561□-PF	560	1	3.62	0.23	0.32
SCRH74-681□-PF	680	1	4.63	0.22	0.3
SCRH74-821□-PF	820	1	5.2	0.2	0.25
SCRH74-102□-PF	1000	1	6.0	0.18	0.22

Note:

- (1). All test data is referenced to 25°C ambient.
- (2). Operating Temperature Range-25°C to +105°C.
- (3). DC current(A)that will cause an approximate $\Delta$ T of 40°C.
- (4). DC current(A)that will cause Lo to drop approximately 25%.
- (5). □Tolerance of inductance:±10%(K)±20%(M) ±30%(N)

## SMD POWER CHOKE-SCRH Series

### Electrical Characteristics

Part Number	Inductance ( $\mu$ H)	Test Frequency (KHz)	DC Resistance ( $\Omega$ Max)	Rated current (A)Max	Itemp(A) Max
SCRH104-1R0□-PF	1	100	0.014	8.50	7.00
SCRH104-1R5□-PF	1.5	100	0.017	8.00	5.80
SCRH104-2R2□-PF	2.2	100	0.024	7.50	5.20
SCRH104-3R3□-PF	3.3	100	0.029	7.00	4.68
SCRH104-4R7□-PF	4.7	100	0.032	6.00	4.22
SCRH104-6R8□-PF	6.8	100	0.044	5.00	3.60
SCRH104-100□-PF	10	100	0.05	2.40	3.40
SCRH104-120□-PF	12	100	0.054	2.25	3.00
SCRH104-150□-PF	15	100	0.069	2.00	2.70
SCRH104-180□-PF	18	100	0.084	1.80	2.40
SCRH104-220□-PF	22	100	0.094	1.65	2.16
SCRH104-270□-PF	27	100	0.11	1.45	1.95
SCRH104-330□-PF	33	100	0.15	1.35	1.76
SCRH104-390□-PF	39	100	0.17	1.20	1.59
SCRH104-470□-PF	47	100	0.21	1.10	1.52
SCRH104-560□-PF	56	100	0.23	1.00	1.40
SCRH104-680□-PF	68	100	0.29	0.93	1.17
SCRH104-820□-PF	82	100	0.36	0.84	1.06
SCRH104-101□-PF	100	100	0.41	0.76	0.96
SCRH104-121□-PF	120	100	0.45	0.70	0.87
SCRH104-151□-PF	150	100	0.64	0.63	0.79
SCRH104-181□-PF	180	100	0.84	0.57	0.72
SCRH104-221□-PF	220	100	0.86	0.52	0.65
SCRH104-271□-PF	270	100	1.07	0.47	0.59
SCRH104-331□-PF	330	100	1.37	0.43	0.54
SCRH104-391□-PF	390	100	1.55	0.39	0.49
SCRH104-471□-PF	470	100	1.74	0.36	0.44

Note:

- (1). All test data is referenced to 25°C ambient.
- (2). Operating Temperature Range-25°C to +105°C.
- (3). DC current(A)that will cause an approximate $\Delta$ T of 40°C.
- (4). DC current(A)that will cause Lo to drop approximately 25%.
- (5). □Tolerance of inductance:±10%(K)±20%(M) ±30%(N)

## SMD POWER CHOKE-SCRH Series

### Electrical Characteristics

Part Number	Inductance ( $\mu$ H)	Test Frequency (KHz)	DC Resistance ( $\Omega$ Max)	Rated current (A)Max	Itemp(A) Max
SCRH105-1R0□-PF	1	100	0.017	9.00	7.00
SCRH105-2R5□-PF	2.5	100	0.02	7.50	5.90
SCRH105-3R3□-PF	3.3	100	0.025	7.20	4.70
SCRH105-4R7□-PF	4.7	100	0.027	7.00	4.21
SCRH105-5R6□-PF	5.6	100	0.045	6.50	3.59
SCRH105-6R8□-PF	6.8	100	0.054	6.00	3.23
SCRH105-8R2□-PF	8.2	100	0.056	5.40	2.90
SCRH105-100□-PF	10	100	0.069	4.80	2.75
SCRH105-120□-PF	12	100	0.078	4.20	2.61
SCRH105-150□-PF	15	100	0.084	3.70	2.32
SCRH105-180□-PF	18	100	0.100	3.40	2.22
SCRH105-220□-PF	22	100	0.125	2.80	2.10
SCRH105-270□-PF	27	100	0.156	2.60	1.90
SCRH105-330□-PF	33	100	0.18	2.40	1.80
SCRH105-390□-PF	39	100	0.22	2.30	1.53
SCRH105-470□-PF	47	100	0.24	2.10	1.37
SCRH105-560□-PF	56	100	0.27	1.82	1.23
SCRH105-680□-PF	68	100	0.32	1.65	1.16
SCRH105-820□-PF	82	100	0.38	1.50	1.10
SCRH105-101□-PF	100	100	0.47	1.40	1.04
SCRH105-121□-PF	120	100	0.56	1.23	0.98
SCRH105-151□-PF	150	100	0.78	1.15	0.88
SCRH105-181□-PF	180	100	1.05	1.00	0.70
SCRH105-221□-PF	220	100	1.32	0.80	0.63
SCRH105-271□-PF	270	100	1.5	0.70	0.60
SCRH105-331□-PF	330	100	1.92	0.62	0.57
SCRH105-391□-PF	390	100	2.2	0.58	0.50
SCRH105-471□-PF	470	100	2.6	0.55	0.45

Note:

- (1). All test data is referenced to 25°C ambient.
- (2). Operating Temperature Range-25°C to +105°C.
- (3). DC current(A)that will cause an approximate $\Delta$ T of 40°C.
- (4). DC current(A)that will cause Lo to drop approximately 25%.
- (5). □Tolerance of inductance:±10%(K)±20%(M) ±30%(N)

# SMD POWER CHOKE-SCRH Series

## Electrical Characteristics

Part Number	Inductance ( $\mu$ H)	Test Frequency (KHz)	DC Resistance ( $\Omega$ Max)	Rated current (A)Max	Itemp(A) Max
SCRH124-1R0□-PF	1.0	100	0.011	8.00	9.00
SCRH124-1R5□-PF	1.5	100	0.014	7.50	8.20
SCRH124-2R2□-PF	2.2	100	0.014	7.00	7.50
SCRH124-3R9□-PF	3.9	100	0.015	6.50	6.80
SCRH124-4R7□-PF	4.7	100	0.018	5.70	5.40
SCRH124-6R8□-PF	6.8	100	0.023	4.90	4.80
SCRH124-8R2□-PF	8.2	100	0.026	4.60	4.40
SCRH124-100□-PF	10	100	0.028	4.50	4.10
SCRH124-120□-PF	12	100	0.038	4.00	3.90
SCRH124-150□-PF	15	100	0.05	3.20	3.50
SCRH124-180□-PF	18	100	0.057	3.10	3.10
SCRH124-220□-PF	22	100	0.066	2.90	3.00
SCRH124-270□-PF	27	100	0.08	2.80	2.70
SCRH124-330□-PF	33	100	0.097	2.70	2.43
SCRH124-390□-PF	39	100	0.132	2.10	2.07
SCRH124-470□-PF	47	100	0.16	1.90	1.87
SCRH124-560□-PF	56	100	0.19	1.80	1.77
SCRH124-680□-PF	68	100	0.22	1.50	1.60
SCRH124-820□-PF	82	100	0.26	1.30	1.44
SCRH124-101□-PF	100	100	0.308	1.20	1.36
SCRH124-121□-PF	120	100	0.38	1.10	1.23
SCRH124-151□-PF	150	100	0.53	0.95	1.16
SCRH124-181□-PF	180	100	0.62	0.85	1.05
SCRH124-221□-PF	220	100	0.7	0.80	0.95
SCRH124-271□-PF	270	100	0.87	0.60	0.86
SCRH124-331□-PF	330	100	0.99	0.50	0.78

Note:

- (1). All test data is referenced to 25°C ambient.
- (2). Operating Temperature Range-25°C to +105°C.
- (3). DC current(A)that will cause an approximate $\Delta$ T of 40°C.
- (4). DC current(A)that will cause Lo to drop approximately 25%.
- (5). □Tolerance of inductance:±10%(K)±20%(M) ±30%(N)

# SMD POWER CHOKE-SCRH Series

## Electrical Characteristics

Part Number	Inductance ( $\mu$ H)	Test Frequency (KHz)	DC Resistance ( $\Omega$ Max)	Rated current (A)Max	Itemp(A) Max
SCRH125-1R0□-PF	1.0	100	0.011	12.00	12.00
SCRH125-1R5□-PF	1.5	100	0.014	10.00	10.00
SCRH125-2R2□-PF	2.2	100	0.014	8.00	8.20
SCRH125-3R3□-PF	3.3	100	0.017	7.00	7.80
SCRH125-3R9□-PF	3.9	100	0.017	7.00	7.50
SCRH125-4R7□-PF	4.7	100	0.019	6.00	6.80
SCRH125-5R6□-PF	5.6	100	0.020	6.00	6.50
SCRH125-6R8□-PF	6.8	100	0.022	5.50	6.20
SCRH125-8R2□-PF	8.2	100	0.024	4.00	5.80
SCRH125-100□-PF	10	1	0.025	4.00	5.50
SCRH125-120□-PF	12	1	0.027	3.50	5.22
SCRH125-150□-PF	15	1	0.03	3.30	4.69
SCRH125-180□-PF	18	1	0.034	3.00	4.22
SCRH125-220□-PF	22	1	0.036	2.80	4.00
SCRH125-270□-PF	27	1	0.051	2.30	3.24
SCRH125-330□-PF	33	1	0.057	2.10	3.07
SCRH125-390□-PF	39	1	0.068	2.00	2.76
SCRH125-470□-PF	47	1	0.075	1.80	2.48
SCRH125-560□-PF	56	1	0.11	1.70	2.23
SCRH125-680□-PF	68	1	0.12	1.50	2.00
SCRH125-820□-PF	82	1	0.14	1.40	1.80
SCRH125-101□-PF	100	1	0.16	1.30	1.70
SCRH125-121□-PF	120	1	0.17	1.10	1.60
SCRH125-151□-PF	150	1	0.23	1.00	1.52
SCRH125-181□-PF	180	1	0.29	0.90	1.44
SCRH125-221□-PF	220	1	0.4	0.80	1.29
SCRH125-271□-PF	270	1	0.46	0.75	1.16
SCRH125-331□-PF	330	1	0.51	0.68	1.04
SCRH125-391□-PF	390	1	0.69	0.65	0.93
SCRH125-471□-PF	470	1	0.77	0.58	0.83
SCRH125-561□-PF	560	1	0.86	0.54	0.74
SCRH125-681□-PF	680	1	1.2	0.48	0.66
SCRH125-821□-PF	820	1	1.34	0.43	0.59
SCRH125-102□-PF	1000	1	1.53	0.40	0.53

Note:

- (1). All test data is referenced to 25°C ambient.
- (2). Operating Temperature Range-25°C to +105°C.
- (3). DC current(A)that will cause an approximate $\Delta$ T of 40°C.
- (4). DC current(A)that will cause Lo to drop approximately 25%.
- (5). □Tolerance of inductance:±10%(K)±20%(M) ±30%(N)

# SMD POWER CHOKE-SCRH Series

## Electrical Characteristics

Part Number	Inductance ( $\mu$ H)	Test Frequency (KHz)	DC Resistance ( $\Omega$ Max)	Rated current (A)Max	Itemp(A) Max
SCRH127-1R2□-PF	1.2	100	0.005	18.0	15.0
SCRH127-1R5□-PF	1.5	100	0.007	16.0	13.5
SCRH127-2R2□-PF	2.2	100	0.01	15.0	12.8
SCRH127-3R3□-PF	3.3	100	0.012	13.0	9.2
SCRH127-4R7□-PF	4.7	100	0.015	12.0	7.8
SCRH127-6R1□-PF	6.1	100	0.018	6.6	6.8
SCRH127-7R6□-PF	7.6	100	0.020	5.9	6.3
SCRH127-8R2□-PF	8.2	100	0.020	5.8	6.0
SCRH127-100□-PF	10	1	0.0216	5.4	5.7
SCRH127-120□-PF	12	1	0.0243	4.9	5.1
SCRH127-150□-PF	15	1	0.027	4.5	4.85
SCRH127-180□-PF	18	1	0.0392	3.9	4.36
SCRH127-220□-PF	22	1	0.0432	3.6	4
SCRH127-270□-PF	27	1	0.0459	3.4	3.6
SCRH127-330□-PF	33	1	0.0648	3	3.25
SCRH127-390□-PF	39	1	0.0729	2.75	2.91
SCRH127-470□-PF	47	1	0.1	2.5	2.62
SCRH127-560□-PF	56	1	0.11	2.35	2.35
SCRH127-680□-PF	68	1	0.14	2.1	2.23
SCRH127-820□-PF	82	1	0.16	1.95	2
SCRH127-101□-PF	100	1	0.22	1.7	1.8
SCRH127-121□-PF	120	1	0.25	1.6	1.7
SCRH127-151□-PF	150	1	0.28	1.42	1.6
SCRH127-181□-PF	180	1	0.35	1.3	1.52
SCRH127-221□-PF	220	1	0.39	1.16	1.44
SCRH127-271□-PF	270	1	0.56	1.06	1.36
SCRH127-331□-PF	330	1	0.64	0.95	1.22
SCRH127-391□-PF	390	1	0.7	0.88	1.03
SCRH127-471□-PF	470	1	0.98	0.79	0.92
SCRH127-561□-PF	560	1	1.07	0.73	0.83
SCRH127-681□-PF	680	1	1.46	0.67	0.75
SCRH127-821□-PF	820	1	1.64	0.6	0.68
SCRH127-102□-PF	1000	1	182	0.55	0.61

Note:

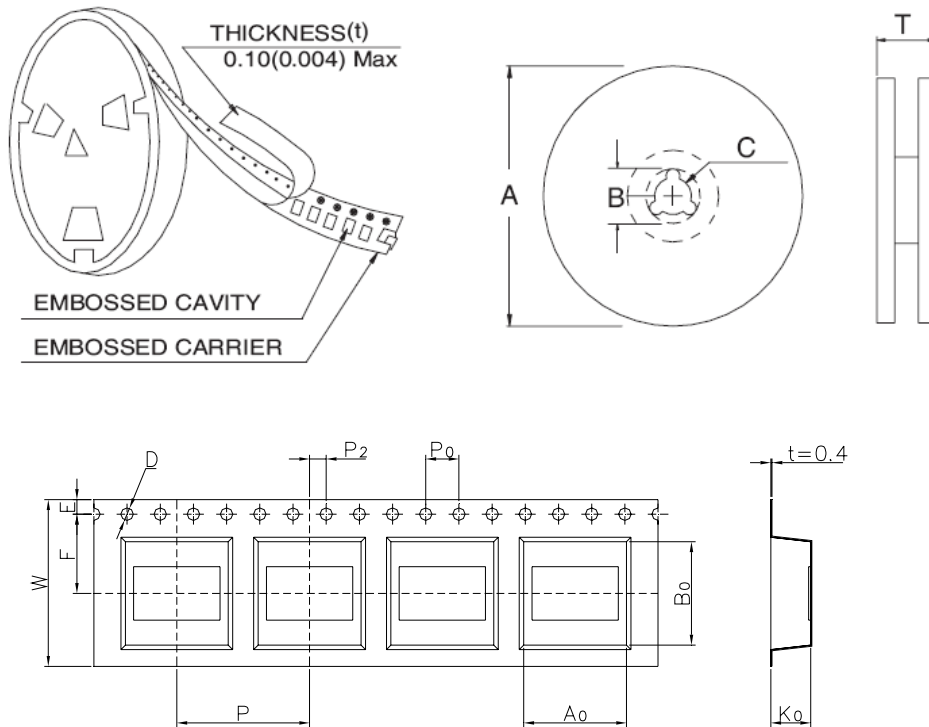
- (1). All test data is referenced to 25°C ambient.
- (2). Operating Temperature Range-25°C to +105°C.
- (3). DC current(A)that will cause an approximate $\Delta$ T of 40°C.
- (4). DC current(A)that will cause Lo to drop approximately 25%.
- (5). □Tolerance of inductance:±10%(K)±20%(M) ±30%(N)



# SMD POWER CHOKE-SCRH Series

## PACKAGING

### 1. Configuration.



### 2. Dimension in mm

TYPE	A	B	C	T
12mm	330	100	21±0.8	16.4
16mm	330	100	21±0.8	20.4
24mm	330	100	21±0.8	28.4
32mm	330	100	21±0.8	36.4

TYPE	Ao(mm)	Bo(mm)	Ko(mm)	W(mm)	P(mm)	PCS/REEL
SCRH73	7.85±0.1	7.85±0.1	3.5±0.1	16±0.3	12±0.1	1000
SCRH74	7.85±0.1	7.85±0.1	4.5±0.1	16±0.3	12±0.1	1000
SCRH104	9.2±0.1	10.1±0.1	5.0±0.1	24±0.3	16±0.1	500
SCRH105	9.2±0.1	10.1±0.1	6.0±0.1	24±0.3	16±0.1	500
SCRH124	12.6±0.1	12.6±0.1	5.2±0.1	24±0.3	16±0.1	500
SCRH125	12.6±0.1	12.6±0.1	6.2±0.1	24±0.3	16±0.1	500
SCRH127	12.6±0.1	12.6±0.1	8.2±0.1	24±0.3	16±0.1	500