

# SUNLEI TECHNOLOGY CORP.

## SMD Power chokes- SCRH -B Series

SCRH-B series chokes For High Energy Storagr & Lower Power losses Use

### Features

1. Available in magnetically shielded.
2. Low DC resistance.
3. Suitable for large currents.
4. Ideal for a variety of DC - DC converter inductor applications.
5. Available on tape and reel for auto surface mounting.



### Applications

Power supply for VTRs.OA equipment.  
 LCD televisions.Notebook PCs.  
 Portable communication equipment.  
 DC / DC converters, etc.

### Product Identification

SCRH 127B – 100 M -PF

SCRH: SERIES NAME

127: DIMENSION SIZE CODE

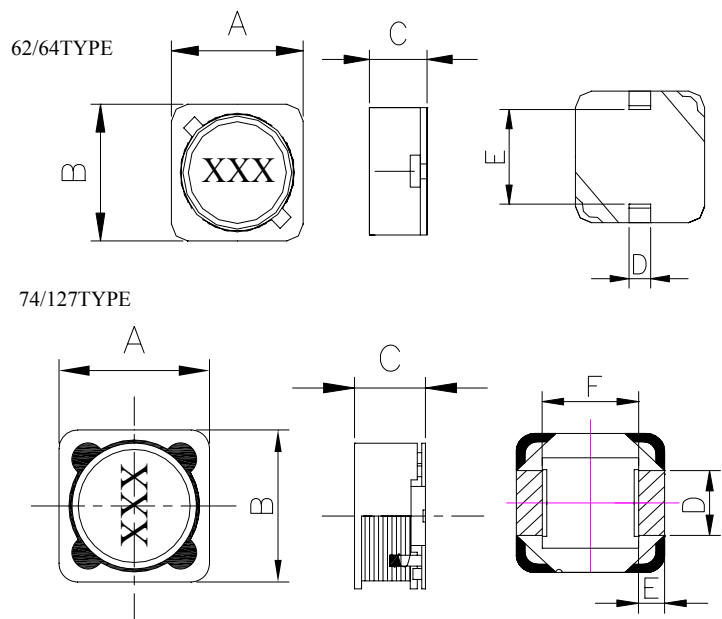
B: BASE TYPE.

100: INDUCTANCE CODE.

M: TOLERANCE, J=5% K=10% M=20%.

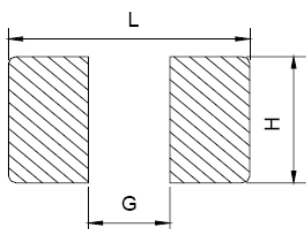
PF:Pb-Free

### Dimensions (mm)



SERIES	A	B	C	D	E	F
SCRH62B	6.2 ± 0.3	5.9 ± 0.3	3.2MAX	1.5±0.3	2.8±0.5	
SCRH64B	6.2 ± 0.3	5.9 ± 0.3	5.2MAX	1.5±0.3	2.8±0.5	
SCRH73B	7.3±0.5	7.3±0.5	3.5MAX	1.5±0.5	4.0±0.5	
SCRH74B	7.3±0.5	7.3±0.5	4.5MAX	1.5±0.5	4.0±0.5	
SCRH124B	12.0±0.5	12.0±0.5	5.0MAX	4.8±0.5	2.5REF	7.0±0.5
SCRH125B	12.0±0.5	12.0±0.5	6.0MAX	4.8±0.5	2.5REF	7.0±0.5
SCRH127B	12.0±0.5	12.0±0.5	8.0MAX	4.8±0.5	2.5REF	7.0±0.5

### RECOMMENDER P.C.B LAYOUT



SERIES	L	H	G
SCRH62B	6.5	2.0	2.5
SCRH64B	6.5	2.0	2.5
SCRH73B	8.0	2.0	3.6
SCRH74B	8.0	2.0	3.6
SCRH124B	12.5	5.4	6.5
SCRH125B	12.5	5.4	6.5
SCRH127B	12.5	5.4	6.5

## SMD Power chokes- SCRH -B Series

### Electrical Characteristics

Part Number	Inductance ( $\mu$ H)	Test Frequency (KHz)	DC Resistance ( $\Omega$ Max)	Rated current (A)Max	Itemp(A) Max
SCRH62B-2R9□-PF	2.9	100	0.068	1.94	2.50
SCRH62B-4R0□-PF	4	100	0.08	1.63	2.00
SCRH62B-5R5□-PF	5.5	100	0.096	1.40	1.80
SCRH62B-6R3□-PF	6.3	100	0.1	1.30	1.62
SCRH62B-7R0□-PF	7	100	0.11	1.22	1.53
SCRH62B-8R2□-PF	8.2	100	0.12	1.15	1.46
SCRH62B-100□-PF	10	100	0.15	1.10	1.38
SCRH62B-120□-PF	12	100	0.2	1.00	1.24
SCRH62B-150□-PF	15	100	0.23	0.90	1.17
SCRH62B-180□-PF	18	100	0.27	0.80	1.05
SCRH62B-220□-PF	22	100	0.34	0.74	0.99
SCRH62B-270□-PF	27	100	0.38	0.66	0.89
SCRH62B-330□-PF	33	100	0.45	0.59	0.84
SCRH62B-390□-PF	39	100	0.49	0.54	0.79
SCRH62B-470□-PF	47	100	0.69	0.50	0.75

Note:

- (1). All test data is referenced to 25°C ambient.
- (2). Operating Temperature Range-25°C to +105°C.
- (3). DC current(A)that will cause an approximate $\Delta$ T of 40°C.
- (4). DC current(A)that will cause Lo to drop approximately 25%.
- (5). □Tolerance of inductance:±10%(K)±20%(M) ±30%(N)

## SMD Power chokes- SCRH -B Series

### Electrical Characteristics

Part Number	Inductance ( $\mu$ H)	Test Frequency (KHz)	DC Resistance ( $\Omega$ Max)	Rated current (A)Max	Itemp(A) Max
SCRH64B-100□-PF	10	1	0.12	1.35	2.00
SCRH64B-120□-PF	12	1	0.13	1.22	1.80
SCRH64B-150□-PF	15	1	0.18	1.11	1.50
SCRH64B-180□-PF	18	1	0.24	1.02	1.45
SCRH64B-220□-PF	22	1	0.27	0.91	1.30
SCRH64B-270□-PF	27	1	0.3	0.82	1.17
SCRH64B-330□-PF	33	1	0.33	0.74	1.05
SCRH64B-390□-PF	39	1	0.37	0.69	0.95
SCRH64B-470□-PF	47	1	0.52	0.62	0.90
SCRH64B-560□-PF	56	1	0.56	0.58	0.85
SCRH64B-680□-PF	68	1	0.63	0.51	0.80
SCRH64B-820□-PF	82	1	0.71	0.46	0.72
SCRH64B-101□-PF	100	1	1.03	0.42	0.64
SCRH64B-121□-PF	120	1	1.15	0.38	0.57
SCRH64B-151□-PF	150	1	1.68	0.35	0.51
SCRH64B-181□-PF	180	1	1.87	0.32	0.48
SCRH64B-221□-PF	220	1	2.08	0.29	0.46
SCRH64B-271□-PF	270	1	2.37	0.26	0.45
SCRH64B-331□-PF	330	1	2.67	0.23	0.42
SCRH64B-391□-PF	390	1	2.94	0.22	0.40
SCRH64B-471□-PF	470	1	3.93	0.20	0.38
SCRH64B-561□-PF	560	1	5.43	0.18	0.36
SCRH64B-681□-PF	680	1	7.32	0.17	0.30
SCRH64B-821□-PF	820	1	8.24	0.15	0.24
SCRH64B-102□-PF	1000	1	9.26	0.14	0.21

Note:

- (1). All test data is referenced to 25°C ambient.
- (2). Operating Temperature Range-25°C to +105°C.
- (3). DC current(A)that will cause an approximate $\Delta$ T of 40°C.
- (4). DC current(A)that will cause Lo to drop approximately 25%.
- (5). □Tolerance of inductance:±10%(K)±20%(M) ±30%(N)

## SMD Power chokes- SCRH -B Series

### Electrical Characteristics

Part Number	Inductance ( $\mu$ H)	Test Frequency (KHz)	DC Resistance ( $\Omega$ Max)	Rated current (A)Max	Itemp(A) Max
SCRH73B-100□-PF	10	1	0.072	1.68	1.68
SCRH73B-120□-PF	12	1	0.098	1.52	1.52
SCRH73B-150□-PF	15	1	0.13	1.33	1.46
SCRH73B-180□-PF	18	1	0.14	1.2	1.44
SCRH73B-220□-PF	22	1	0.19	1.07	1.28
SCRH73B-270□-PF	27	1	0.21	0.96	1.26
SCRH73B-330□-PF	33	1	0.24	0.91	1.18
SCRH73B-390□-PF	39	1	0.32	0.77	1.00
SCRH73B-470□-PF	47	1	0.36	0.76	0.91
SCRH73B-560□-PF	56	1	0.47	0.68	0.81
SCRH73B-680□-PF	68	1	0.52	0.61	0.79
SCRH73B-820□-PF	82	1	0.69	0.57	0.74
SCRH73B-101□-PF	100	1	0.79	0.5	0.65
SCRH73B-121□-PF	120	1	0.89	0.49	0.63
SCRH73B-151□-PF	150	1	1.27	0.43	0.55
SCRH73B-181□-PF	180	1	1.45	0.39	0.51
SCRH73B-221□-PF	220	1	1.65	0.35	0.46
SCRH73B-271□-PF	270	1	2.31	0.32	0.45
SCRH73B-331□-PF	330	1	2.62	0.28	0.4
SCRH73B-391□-PF	390	1	2.94	0.26	0.37
SCRH73B-471□-PF	470	1	4.18	0.24	0.34
SCRH73B-561□-PF	560	1	4.67	0.22	0.31
SCRH73B-681□-PF	680	1	5.73	0.19	0.27
SCRH73B-821□-PF	820	1	6.54	0.18	0.25
SCRH73B-102□-PF	1000	1	9.44	0.16	0.23

Note:

- (1). All test data is referenced to 25°C ambient.
- (2). Operating Temperature Range-25°C to +105°C.
- (3). DC current(A)that will cause an approximate $\Delta$ T of 40°C.
- (4). DC current(A)that will cause Lo to drop approximately 25%.
- (5). □Tolerance of inductance:±10%(K)±20%(M) ±30%(N)

## SMD Power chokes- SCRH -B Series

### Electrical Characteristics

Part Number	Inductance ( $\mu$ H)	Test Frequency (KHz)	DC Resistance ( $\Omega$ Max)	Rated current (A)Max	Itemp(A) Max
SCRH74B-100□-PF	10	1	0.049	1.84	2.4
SCRH74B-120□-PF	12	1	0.058	1.71	2.21
SCRH74B-150□-PF	15	1	0.081	1.47	2.09
SCRH74B-180□-PF	18	1	0.091	1.31	1.81
SCRH74B-220□-PF	22	1	0.11	1.23	1.73
SCRH74B-270□-PF	27	1	0.15	1.12	1.60
SCRH74B-330□-PF	33	1	0.17	0.96	1.36
SCRH74B-390□-PF	39	1	0.23	0.91	1.26
SCRH74B-470□-PF	47	1	0.26	0.88	1.18
SCRH74B-560□-PF	56	1	0.35	0.75	1.05
SCRH74B-680□-PF	68	1	0.38	0.69	1.04
SCRH74B-820□-PF	82	1	0.43	0.61	0.91
SCRH74B-101□-PF	100	1	0.61	0.6	0.75
SCRH74B-121□-PF	120	1	0.66	0.52	0.7
SCRH74B-151□-PF	150	1	0.88	0.46	0.65
SCRH74B-181□-PF	180	1	0.98	0.42	0.6
SCRH74B-221□-PF	220	1	1.17	0.36	0.55
SCRH74B-271□-PF	270	1	1.64	0.34	0.52
SCRH74B-331□-PF	330	1	1.86	0.32	0.47
SCRH74B-391□-PF	390	1	2.85	0.29	0.42
SCRH74B-471□-PF	470	1	3.01	0.26	0.38
SCRH74B-561□-PF	560	1	3.62	0.23	0.32
SCRH74B-681□-PF	680	1	4.63	0.22	0.3
SCRH74B-821□-PF	820	1	5.2	0.2	0.25
SCRH74B-102□-PF	1000	1	6.0	0.18	0.22

Note:

- (1). All test data is referenced to 25°C ambient.
- (2). Operating Temperature Range-25°C to +105°C.
- (3). DC current(A)that will cause an approximate $\Delta$ T of 40°C.
- (4). DC current(A)that will cause Lo to drop approximately 25%.
- (5). □Tolerance of inductance:±10%(K)±20%(M) ±30%(N)

## SMD Power chokes- SCRH -B Series

### Electrical Characteristics

Part Number	Inductance ( $\mu$ H)	Test Frequency (KHz)	DC Resistance ( $\Omega$ Max)	Rated current (A)Max	Itemp(A) Max
SCRH124B-100□-PF	10	100	0.028	4.50	4.10
SCRH124B-120□-PF	12	100	0.038	4.00	3.90
SCRH124B-150□-PF	15	100	0.05	3.20	3.50
SCRH124B-180□-PF	18	100	0.057	3.10	3.10
SCRH124B-220□-PF	22	100	0.066	2.90	3.00
SCRH124B-270□-PF	27	100	0.08	2.80	2.70
SCRH124B-330□-PF	33	100	0.097	2.70	2.43
SCRH124B-390□-PF	39	100	0.132	2.10	2.07
SCRH124B-470□-PF	47	100	0.16	1.90	1.87
SCRH124B-560□-PF	56	100	0.19	1.80	1.77
SCRH124B-680□-PF	68	100	0.22	1.50	1.60
SCRH124B-820□-PF	82	100	0.26	1.30	1.44
SCRH124B-101□-PF	100	100	0.308	1.20	1.36
SCRH124B-121□-PF	120	100	0.38	1.10	1.23
SCRH124B-151□-PF	150	100	0.53	0.95	1.16
SCRH124B-181□-PF	180	100	0.62	0.85	1.05
SCRH124B-221□-PF	220	100	0.7	0.80	0.95
SCRH124B-271□-PF	270	100	0.87	0.60	0.86
SCRH124B-331□-PF	330	100	0.99	0.50	0.78

Note:

- (1). All test data is referenced to 25°C ambient.
- (2). Operating Temperature Range-25°C to +105°C.
- (3). DC current(A)that will cause an approximate $\Delta$ T of 40°C.
- (4). DC current(A)that will cause Lo to drop approximately 25%.
- (5). □Tolerance of inductance:±10%(K)±20%(M) ±30%(N)

# SMD Power chokes- SCRH -B Series

## Electrical Characteristics

Part Number	Inductance ( $\mu$ H)	Test Frequency (KHz)	DC Resistance ( $\Omega$ Max)	Rated current (A)Max	Itemp(A) Max
SCRH125B-100□-PF	10	100	0.025	4.00	5.50
SCRH125B-120□-PF	12	100	0.027	3.50	5.22
SCRH125B-150□-PF	15	100	0.03	3.30	4.69
SCRH125B-180□-PF	18	100	0.034	3.00	4.22
SCRH125B-220□-PF	22	100	0.036	2.80	4.00
SCRH125B-270□-PF	27	100	0.051	2.30	3.24
SCRH125B-330□-PF	33	100	0.057	2.10	3.07
SCRH125B-390□-PF	39	100	0.068	2.00	2.76
SCRH125B-470□-PF	47	100	0.075	1.80	2.48
SCRH125B-560□-PF	56	100	0.11	1.70	2.23
SCRH125B-680□-PF	68	100	0.12	1.50	2.00
SCRH125B-820□-PF	82	100	0.14	1.40	1.80
SCRH125B-101□-PF	100	100	0.16	1.30	1.70
SCRH125B-121□-PF	120	100	0.17	1.10	1.60
SCRH125B-151□-PF	150	100	0.23	1.00	1.52
SCRH125B-181□-PF	180	100	0.29	0.90	1.44
SCRH125B-221□-PF	220	100	0.4	0.80	1.29
SCRH125B-271□-PF	270	100	0.46	0.75	1.16
SCRH125B-331□-PF	330	100	0.51	0.68	1.04
SCRH125B-391□-PF	390	100	0.69	0.65	0.93
SCRH125B-471□-PF	470	100	0.77	0.58	0.83
SCRH125B-561□-PF	560	100	0.86	0.54	0.74
SCRH125B-681□-PF	680	100	1.2	0.48	0.66
SCRH125B-821□-PF	820	100	1.34	0.43	0.59
SCRH125B-102□-PF	1000	100	1.53	0.40	0.53

Note:

- (1). All test data is referenced to 25°C ambient.
- (2). Operating Temperature Range-25°C to +105°C.
- (3). DC current(A)that will cause an approximate $\Delta$ T of 40°C.
- (4). DC current(A)that will cause Lo to drop approximately 25%.
- (5). □Tolerance of inductance:±10%(K)±20%(M) ±30%(N)

## SMD Power chokes- SCRH -B Series

### Electrical Characteristics

Part Number	Inductance ( $\mu$ H)	Test Frequency (KHz)	DC Resistance ( $\Omega$ Max)	Rated current (A)Max	Itemp(A) Max
SCRH127B-100□-PF	10	100	0.0216	5.40	5.70
SCRH127B-120□-PF	12	100	0.0243	4.90	5.10
SCRH127B-150□-PF	15	100	0.027	4.50	4.85
SCRH127B-180□-PF	18	100	0.0392	3.90	4.36
SCRH127B-220□-PF	22	100	0.0432	3.60	4.00
SCRH127B-270□-PF	27	100	0.0459	3.40	3.60
SCRH127B-330□-PF	33	100	0.0648	3.00	3.25
SCRH127B-390□-PF	39	100	0.0729	2.75	2.91
SCRH127B-470□-PF	47	100	0.1	2.50	2.62
SCRH127B-560□-PF	56	100	0.11	2.35	2.35
SCRH127B-680□-PF	68	100	0.14	2.10	2.23
SCRH127B-820□-PF	82	100	0.16	1.95	2.00
SCRH127B-101□-PF	100	100	0.22	1.70	1.80
SCRH127B-121□-PF	120	100	0.25	1.60	1.70
SCRH127B-151□-PF	150	100	0.28	1.42	1.60
SCRH127B-181□-PF	180	100	0.35	1.30	1.52
SCRH127B-221□-PF	220	100	0.39	1.16	1.44
SCRH127B-271□-PF	270	100	0.56	1.06	1.36
SCRH127B-331□-PF	330	100	0.64	0.95	1.22
SCRH127B-391□-PF	390	100	0.7	0.88	1.03
SCRH127B-471□-PF	470	100	0.98	0.79	0.92
SCRH127B-561□-PF	560	100	1.07	0.73	0.83
SCRH127B-681□-PF	680	100	1.46	0.67	0.75
SCRH127B-821□-PF	820	100	1.64	0.60	0.68
SCRH127B-102□-PF	1000	100	182	0.55	0.61

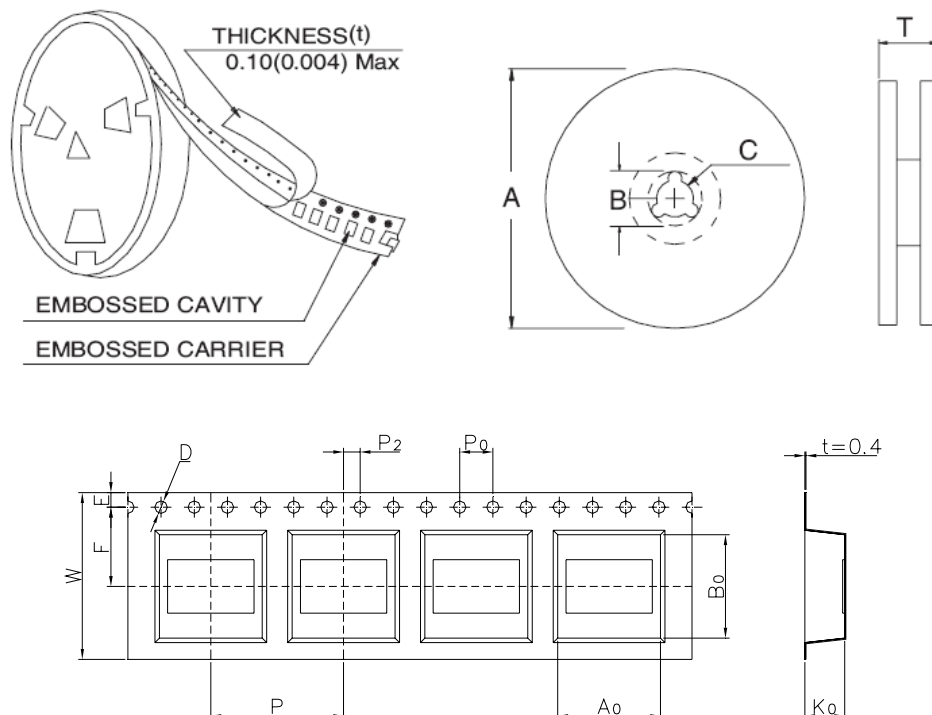
Note:

- (1). All test data is referenced to 25°C ambient.
- (2). Operating Temperature Range-25°C to +105°C.
- (3). DC current(A)that will cause an approximate $\Delta$ T of 40°C.
- (4). DC current(A)that will cause Lo to drop approximately 25%.
- (5). □Tolerance of inductance:±10%(K)±20%(M) ±30%(N)



## PACKAGING

### 1. Configuration.



### 2. Dimension in mm

TYPE	A	B	C	T
12mm	330	100	21±0.8	16.4
16mm	330	100	21±0.8	20.4
24mm	330	100	21±0.8	28.4
32mm	330	100	21±0.8	36.4

TYPE	Ao(mm)	Bo(mm)	Ko(mm)	W(mm)	P(mm)	PCS/REEL
SCRH62B	6.5±0.1	6.3±0.1	3.5±0.1	16±0.3	12±0.1	1000
SCRH64B	6.5±0.1	6.3±0.1	5.5±0.1	16±0.3	12±0.1	1000
SCRH73B	7.85±0.1	7.85±0.1	3.5±0.1	16±0.3	12±0.1	1000
SCRH74B	7.85±0.1	7.85±0.1	4.5±0.1	16±0.3	12±0.1	1000
SCRH124B	12.6±0.1	12.6±0.1	5.2±0.1	24±0.3	16±0.1	500
SCRH125B	12.6±0.1	12.6±0.1	6.2±0.1	24±0.3	16±0.1	500
SCRH127B	12.6±0.1	12.6±0.1	8.2±0.1	24±0.3	16±0.1	500