

## SMD Power chokes- SGRH -D Series

SGRH -D series chokes For High Energy Storagr & Lower Power losses Use

### Features

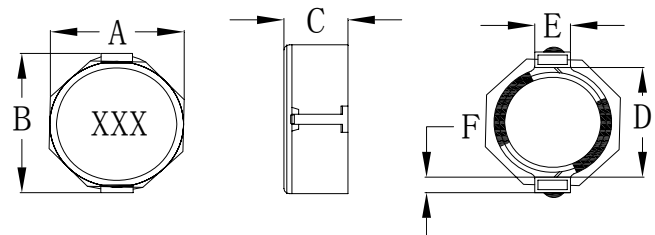
1. Available in magnetically shielded.
2. Low DC resistance.
3. Suitable for large currents.
4. Ideal for a variety of DC - DC converter inductor applications.
5. Available on tape and reel for auto surface mounting.



### Applications

Power supply for VTRs.OA equipment.  
 LCD televisions.Notebook PCs.  
 Portable communication equipment.  
 DC / DC converters, etc.

### Dimensions (mm)



### Product Identification

SGRH 8D43-100M-PF

SGRH: SERIES NAME

8D43: DIMENSION SIZE CODE

D: CORE TYPE

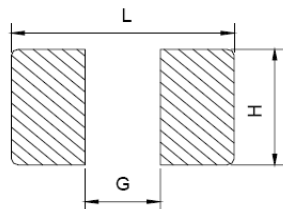
100: INDUCTANCE CODE.

M: TOLERANCE, K=10% M=20% ±30%(N)

PF: Pb-Free

SERIES	A	B	C	D	E	F
SGRH8D28	8.3Max	10.0Max	3.0Max	6.3REF	2.5REF	1.2REF
SGRH8D43	8.3Max	10.0Max	4.7Max	6.3REF	2.5REF	1.2REF

### RECOMMENDER P.C.B LAYOUT



SERIES	L	H	G
SGRH8D28	10.1	2.8	6.1
SGRH8D43	10.1	2.8	6.1

# SMD POWER CHOKE-SGRH Series

## Electrical Characteristics

Part Number	Inductance ( $\mu$ H)	Test Frequency (KHz)	DC Resistance ( $\Omega$ Max)	I rms (A) typ.	I sat (A) typ.
SGRH8D28-2R5□-PF	2.5	100	15.6m	4.50	6.40
SGRH8D28-3R3□-PF	3.3	100	18.2m	4.00	4.80
SGRH8D28-4R7□-PF	4.7	100	24.7m	3.40	4.32
SGRH8D28-7R3□-PF	7.3	100	39m	2.80	3.60
SGRH8D28-100□-PF	10	100	47m	2.30	3.25
SGRH8D28-150□-PF	15	100	69m	1.90	2.80
SGRH8D28-220□-PF	22	100	99m	1.60	1.85
SGRH8D28-330□-PF	33	100	0.156	1.30	1.66
SGRH8D28-470□-PF	47	100	0.195	1.15	1.30
SGRH8D28-680□-PF	68	100	0.286	0.95	1.17
SGRH8D28-101□-PF	100	100	0.43	0.75	1.05

Note:

- (1). All test data is referenced to 25°C ambient.
- (2). Operating Temperature Range-55°C to +105°C.
- (3). DC current(A)that will cause an approximate $\Delta$ T of 40°C.
- (4). DC current(A)that will cause Lo to drop approximately 35%.
- (5). □Tolerance of inductance $\pm$ 10%(K)  $\pm$ 20%(M)  $\pm$ 30%(N)

# SMD POWER CHOKE-SGRH Series

## Electrical Characteristics

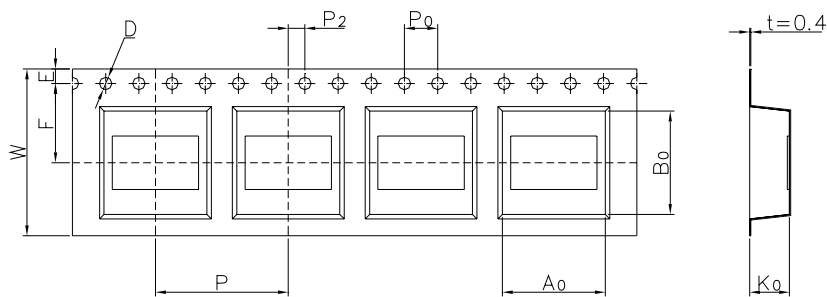
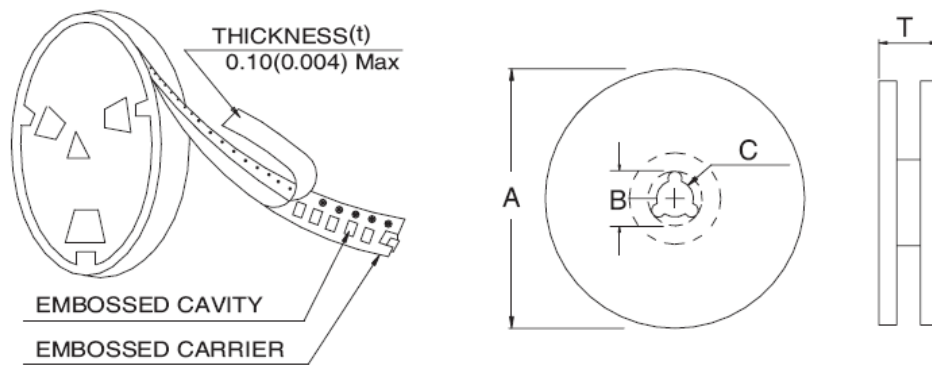
Part Number	Inductance ( $\mu$ H)	Test Frequency (KHz)	DC Resistance ( $\Omega$ Max)	I rms (A) typ.	I sat (A) typ.
SGRH8D43-2R5□-PF	2.5	100	14m	6.4	6.4
SGRH8D43-3R9□-PF	3.9	100	19m	5	5.2
SGRH8D43-4R7□-PF	4.7	100	22m	4.6	4.8
SGRH8D43-6R8□-PF	6.8	100	25m	4.2	4.3
SGRH8D43-100□-PF	10	100	36m	3.6	3.7
SGRH8D43-150□-PF	15	100	53m	2.6	2.6
SGRH8D43-220□-PF	22	100	75m	2.1	2.4
SGRH8D43-330□-PF	33	100	0.125	1.6	1.76
SGRH8D43-470□-PF	47	100	0.15	1.4	1.58
SGRH8D43-680□-PF	68	100	0.24	1.2	1.42
SGRH8D43-101□-PF	100	100	0.36	0.9	0.99

Note:

- (1). All test data is referenced to 25°C ambient.
- (2). Operating Temperature Range-55°C to +105°C.
- (3). DC current(A)that will cause an approximate $\Delta$ T of 40°C.
- (4). DC current(A)that will cause Lo to drop approximately 35%.
- (5). □Tolerance of inductance $\pm$ 10%(K)  $\pm$ 20%(M)  $\pm$ 30%(N)

## PACKAGING

### 1. Configuration.



### 2. Dimension in mm

TYPE	A	B	C	T
12mm	330	100	21±0.8	16.4
16mm	330	100	21±0.8	20.4
24mm	330	100	21±0.8	28.4
32mm	330	100	21±0.8	36.4

TYPE	A <sub>0</sub> (mm)	B <sub>0</sub> (mm)	K <sub>0</sub> (mm)	W(mm)	P(mm)	PCS/REEL
SGRH8D28	9.9±0.1	8.3±0.1	3.2±0.1	16±0.3	12±0.1	1000
SGRH8D43	9.9±0.1	8.3±0.1	4.7±0.1	16±0.3	12±0.1	1000