

SMD Power chokes- SNR6010-SERIES

Features

1. This specification applies Low Profile Power Inductors
2. 100% Lead(Pb) & Halogen-Free and RoHS compliant.

Applications

Smartphones, tablets and wearable devices
 DSC, camcorders
 DC / DC converters, etc.

Product Identification

SNR 6010 B -100M-TQ

SHCP: SERIES NAME

5010: DIMENSION SIZE CODE

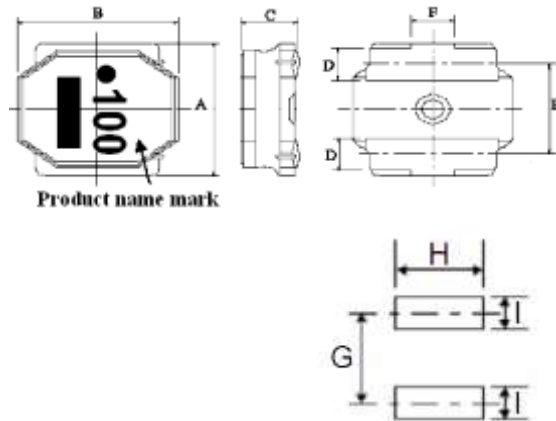
A: CORE TYPE

100: INDUCTANCE CODE.

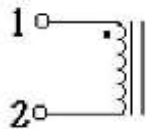
M: TOLERANCE, K=10% M=20% ±30% (N)

TQ: Material CODE

Dimensions (mm)



SCHEMATIC



Series	A(mm)	B(mm)	C(mm)	D(mm)	E(mm)	F(mm)
SNR6010B	6.0±0.2	6.0±0.2	1.0 max.	1.35±0.2	4.0±0.2	2.3 typ.
SNR6012B	6.0±0.2	6.0±0.2	1.2 max.	1.35±0.2	4.0±0.2	2.3 typ.
SNR6020B	6.0±0.2	6.0±0.2	2.0 max.	1.35±0.2	4.0±0.2	2.3 typ.
SNR6028B	6.0±0.2	6.0±0.2	2.8 max.	1.35±0.2	4.0±0.2	2.3 typ.

G(mm)	H(mm)	I(mm)
4.7 ref.	5.7 ref.	1.6 ref.

SUNLEI Part Number	Inductance (uH)	Tolerance (%)	Test Frequency (Hz)	SRF (MHz) min.	DCR (Ω) ± 20%	I sat (A)	I rms (A)
SNR6010B-1R5M-TQ	1.5	±20%	1V100K	77	0.09	2.4	1.9
SNR6010B-2R2M-TQ	2.2	±20%	1V100K	56	0.11	1.9	1.7
SNR6010B-3R3M-TQ	3.3	±20%	1V100K	42	0.135	1.6	1.5
SNR6010B-4R7M-TQ	4.7	±20%	1V100K	36	0.165	1.3	1.4
SNR6010B-6R8M-TQ	6.8	±20%	1V100K	30	0.22	1.2	1.2
SNR6010B-100M-TQ	10	±20%	1V100K	25	0.27	1	1.1
SNR6010B-220M-TQ	22	±20%	1V100K	12	0.58	0.65	0.7

Note:

1. Isat: Based on inductance change ($\Delta L/L0: \leq -30\%$) @ ambient temp. 25°C I rms:
2. Based on temperature rise ($\Delta T: 40^\circ\text{C}.$) Max

SMD Power chokes- SNR6012-SERIES

Features

1. This specification applies Low Profile Power Inductors
2. 100% Lead(Pb) & Halogen-Free and RoHS compliant.

Applications

Smartphones, tablets and wearable devices
DSC, camcorders
DC / DC converters, etc.

Product Identification

SNR 6012 B -100M-TQ

SHCP: SERIES NAME

5012: DIMENSION SIZE CODE

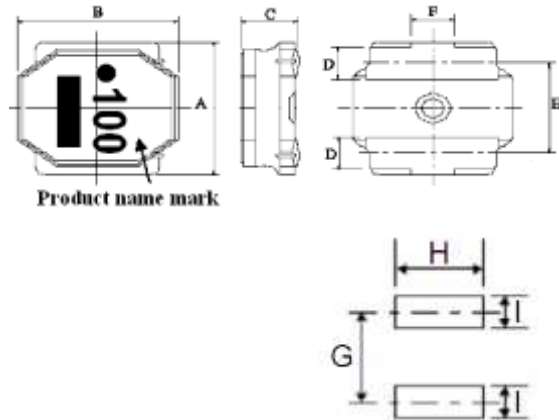
A: CORE TYPE

100: INDUCTANCE CODE.

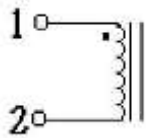
M: TOLERANCE, K=10% M=20%, ±30%(N)

TQ: Material CODE

Dimensions (mm)



SCHEMATIC



Series	A(mm)	B(mm)	C(mm)	D(mm)	E(mm)	F(mm)
SNR6010B	6.0±0.2	6.0±0.2	1.0 max.	1.35±0.2	4.0±0.2	2.3 typ.
SNR6012B	6.0±0.2	6.0±0.2	1.2 max.	1.35±0.2	4.0±0.2	2.3 typ.
SNR6020B	6.0±0.2	6.0±0.2	2.0 max.	1.35±0.2	4.0±0.2	2.3 typ.
SNR6028B	6.0±0.2	6.0±0.2	2.8 max.	1.35±0.2	4.0±0.2	2.3 typ.

G(mm)	H(mm)	I(mm)
4.7 ref.	5.7 ref.	1.6 ref.

SUNLEI Part Number	Inductance (uH)	Tolerance (%)	Test Frequency (Hz)	SRF (MHz) min.	DCR (Ω) ± 20%	I sat (A)	I rms (A)
SNR6012B-2R5Y-TQ	2.5	±30%	1V100K	45	0.09	2.1	1.8
SNR6012B-3R3Y-TQ	3.3	±30%	1V100K	42	0.105	1.8	1.7
SNR6012B-4R7M-TQ	4.7	±20%	1V100K	36	0.125	1.6	1.55
SNR6012B-5R3M-TQ	5.3	±20%	1V100K	34	0.125	1.5	1.55
SNR6012B-6R8M-TQ	6.8	±20%	1V100K	30	0.165	1.3	1.35
SNR6012B-100M-TQ	10	±20%	1V100K	22	0.2	1	1.2
SNR6012B-150M-TQ	15	±20%	1V100K	18	0.295	0.8	0.8
SNR6012B-220M-TQ	22	±20%	1V100K	12	0.465	0.76	0.65
SNR6012B-330M-TQ	33	±20%	1V100K	8	0.58	0.59	0.55
SNR6012B-470M-TQ	47	±20%	1V100K	6	0.965	0.52	0.46
SNR6012B-680M-TQ	68	±20%	1V100K	3	1.16	0.44	0.41
SNR6012B-101M-TQ	100	±20%	1V100K	1	1.67	0.35	0.32

Note:

1. I_{sat}: Based on inductance change ($\Delta L/L_0: \leq -30\%$) @ ambient temp. 25°C I_{rms}:

2. Based on temperature rise ($\Delta T: 40^\circ\text{C}.$) Max

SMD Power chokes- SNR6020-SERIES

Features

1. This specification applies Low Profile Power Inductors
2. 100% Lead(Pb) & Halogen-Free and RoHS compliant.

Applications

Smartphones, tablets and wearable devices
 DSC, camcorders
 DC / DC converters, etc.

Product Identification

SNR 6020 B -100M-TQ

SHCP: SERIES NAME

5020: DIMENSION SIZE CODE

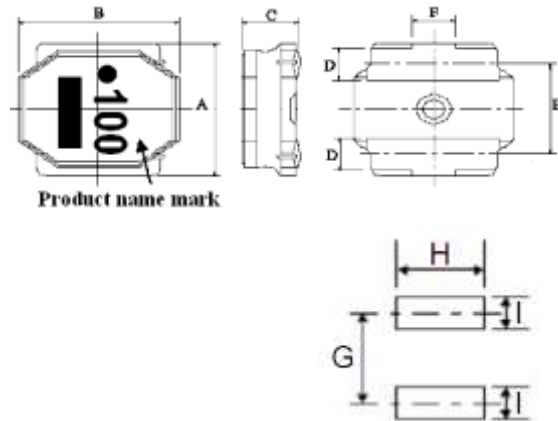
A: CORE TYPE

100: INDUCTANCE CODE.

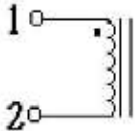
M: TOLERANCE, K=10% M=20%, ±30%(N)

TQ: Material CODE

Dimensions (mm)



SCHEMATI



Series	A(mm)	B(mm)	C(mm)	D(mm)	E(mm)	F(mm)
SNR6010B	6.0±0.2	6.0±0.2	1.0 max.	1.35±0.2	4.0±0.2	2.3 typ.
SNR6012B	6.0±0.2	6.0±0.2	1.2 max.	1.35±0.2	4.0±0.2	2.3 typ.
SNR6020B	6.0±0.2	6.0±0.2	2.0 max.	1.35±0.2	4.0±0.2	2.3 typ.
SNR6028B	6.0±0.2	6.0±0.2	2.8 max.	1.35±0.2	4.0±0.2	2.3 typ.

G(mm)	H(mm)	I(mm)
4.7 ref.	5.7 ref.	1.6 ref.

SUNLEI Part Number	Inductance (uH)	Tolerance (%)	Test Frequency (Hz)	SRF (MHz) min.	DCR (Ω) ± 20%	I sat (A)	I rms (A)
SNR6020B-R80Y-TQ	0.8	±30%	1V100K	110	0.02	6.4	4.1
SNR6020B-1R5M-TQ	1.5	±30%	1V100K	93	0.026	4.3	3.6
SNR6020B-2R2M-TQ	2.2	±30%	1V100K	73	0.034	3.2	2.9
SNR6020B-3R3M-TQ	3.3	±30%	1V100K	55	0.04	2.8	2.75
SNR6020B-4R7M-TQ	4.7	±30%	1V100K	43	0.058	2.4	2.15
SNR6020B-6R8M-TQ	6.8	±30%	1V100K	30	0.085	2	1.8
SNR6020B-100M-TQ	10	±20%	1V100K	18	0.125	1.9	1.5
SNR6020B-220M-TQ	22	±20%	1V100K	11	0.29	1.25	0.95

Note:

1. Isat: Based on inductance change ($\Delta L/L_0: \leq -30\%$) @ ambient temp. 25°C Irms:
2. Based on temperature rise ($\Delta T: 40^\circ\text{C}$.) Max

SUNLEI TECHNOLOGY CORP.

SMD Power chokes- SNR6028-SERIES

Features

1. This specification applies Low Profile Power Inductors
2. 100% Lead(Pb) & Halogen-Free and RoHS compliant.

Applications

Smartphones, tablets and wearable devices
DSC, camcorders
DC / DC converters, etc.

Product Identification

SNR 6028 B -100M-TQ

SHCP: SERIES NAME

5012: DIMENSION SIZE CODE

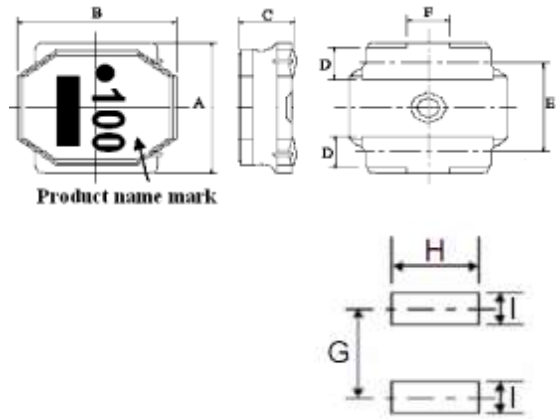
A: CORE TYPE

100: INDUCTANCE CODE.

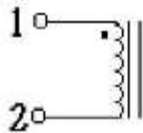
M: TOLERANCE, K=10% M=20% ±30%(N)

TQ: Material CODE

Dimensions (mm)



SCHEMATIC



Series	A(mm)	B(mm)	C(mm)	D(mm)	E(mm)	F(mm)
SNR6010B	6.0±0.2	6.0±0.2	1.0 max.	1.35±0.2	4.0±0.2	2.3 typ.
SNR6012B	6.0±0.2	6.0±0.2	1.2 max.	1.35±0.2	4.0±0.2	2.3 typ.
SNR6020B	6.0±0.2	6.0±0.2	2.0 max.	1.35±0.2	4.0±0.2	2.3 typ.
SNR6028B	6.0±0.2	6.0±0.2	2.8 max.	1.35±0.2	4.0±0.2	2.3 typ.

G(mm)	H(mm)	I(mm)
4.7 ref.	5.7 ref.	1.6 ref.

SUNLEI Part Number	Inductance (uH)	Tolerance (%)	Test Frequency (Hz)	SRF (MHz) min.	DCR (Ω) ± 20%	I sat (A)	I rms (A)
SNR6028B-R90Y-TQ	0.9	±30%	1V100K	90	0.013	6.7	4.6
SNR6028B-1R5Y-TQ	1.5	±30%	1V100K	78	0.016	5.1	4.2
SNR6028B-2R2Y-TQ	2.2	±30%	1V100K	68	0.02	4.2	3.7
SNR6028B-3R0Y-TQ	3	±30%	1V100K	55	0.023	3.6	3.4
SNR6028B-4R7M-TQ	4.7	±20%	1V100K	39	0.031	2.7	3
SNR6028B-6R0M-TQ	6	±20%	1V100K	30	0.04	2.5	2.5
SNR6028B-100M-TQ	10	±20%	1V100K	20	0.065	1.9	1.9
SNR6028B-150M-TQ	15	±20%	1V100K	17	0.095	1.6	1.8
SNR6028B-220M-TQ	22	±20%	1V100K	12	0.135	1.3	1.4
SNR6028B-330M-TQ	33	±20%	1V100K	10	0.22	1.1	1.1
SNR6028B-470M-TQ	47	±20%	1V100K	8	0.3	1	0.92
SNR6028B-680M-TQ	68	±20%	1V100K	5	0.42	0.8	0.77
SNR6028B-101M-TQ	100	±20%	1V100K	3	0.6	0.65	0.66

Note:

1. Isat: Based on inductance change ($\Delta L/L_0: \leq -30\%$) @ ambient temp. 25°C Irms:

2. Based on temperature rise ($\Delta T: 40^\circ\text{C}.$) Max