

SUNLEI TECHNOLOGY CORP.

Wire Wound Ferrite Chip Inductors- NLP Series

NLP series Wire Wound Chip inductors For High Current Application



Features

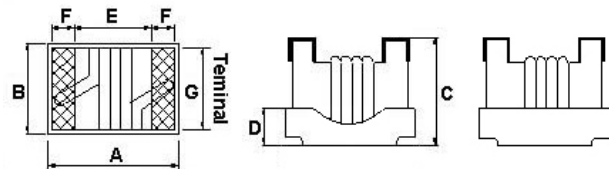
- 1.Highly accurate dimensions can be mounted automatically.
- 2.Terminals are highly resistant to pull forces.
- 3.High reliable in environments of sudden temperature change and humidity.
- 4 .Highly resistant to mechanical shocks and pressure.
- 5.Superior Q characteristics and broadest selections amount peers.

Applications

Micro TVs, liquid crystal TVs, video cameras, portable VCRs,
car radios, car stereos, thin radios, television tuners,
mobile phones, radio and other electronic devices.

Dimensions (mm)

Open Type:



Product Identification

NLP 453232 – 100 K -PF

NLP: SERIES NAME

453232:Dimensions CODE

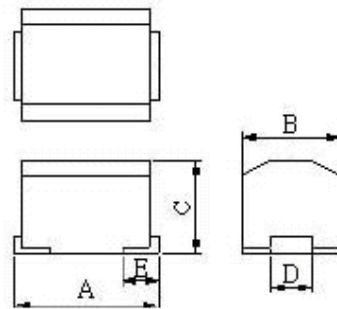
100: INDUCTANCE CODE.

k: TOLERANCE, G=2% J=5%

K=10% M=20%.

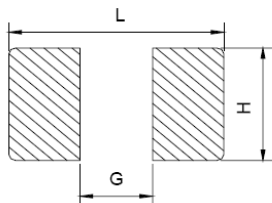
PF:Pb-Free

Molded Type:



PART NO.	A	B	C	D	E	F	G
NL252018	2.92max	2.79max	2.20max	0.50ref	1.52ref	0.51ref	2.03ref
NL322522	3.2 ± 0.2	2.5 ± 0.2	2.2 ± 0.2	1.2 ± 0.4	0.6 ± 0.1		
NL453232	4.5 ± 0.3	3.2 ± 0.3	3.2 ± 0.3	1.4 ± 0.4	1.0 ± 0.2		
NL565050	5.6 ± 0.3	5.0 ± 0.3	5.0 ± 0.3	1.8 ± 0.3	1.3 ± 0.2		

Recommended Pattern(mm)



PART NO.	L	G	H
NL252018	3.30	1.30	2.54
NL322522	4.00	1.60	2.00
NL453232	6.00	3.00	2.80
NL565050	8.00	4.00	4.50

Wire Wound Ferrite Chip Inductors-NLP Series

NLP series Wire Wound Chip inductors For High Current Application

Electrical Characteristics

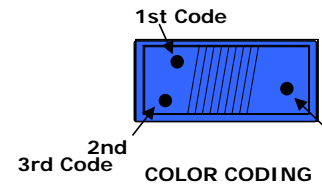
Part Number	Inductance (uH)	Test Frequency (MHz)	Tolerance (±%)	Q min	Test Frequency (MHz)	SRF Min (MHz)	Rdc Max (Ω)	Idc Max (mA)	Color Coding		
									1st	2nd	3rd
NLP252018-1R0□-PF	1.0	7.96	10/5	25	7.96	300	0.34	1500	Brown	Black	Red
NLP252018-1R5□-PF	1.5	7.96	10/5	25	7.96	270	0.42	1400	Brown	Green	Red
NLP252018-2R2□-PF	2.2	7.96	10/5	25	7.96	140	0.50	1200	Red	Red	Red
NLP252018-3R3□-PF	3.3	7.96	10/5	25	7.96	95	0.65	1000	Orange	Orange	Red
NLP252018-4R7□-PF	4.7	7.96	10/5	25	7.96	90	0.80	800	Yellow	Violet	Red
NLP252018-6R8□-PF	6.8	7.96	10/5	25	7.96	68	1.00	730	Blue	Gray	Red
NLP252018-100□-PF	10	2.52	10/5	20	2.52	45	1.50	700	Brown	Black	Orange
NLP252018-150□-PF	15	2.52	10/5	20	2.52	40	2.20	500	Brown	Green	Orange
NLP252018-220□-PF	22	2.52	10/5	20	2.52	25	2.70	470	Red	Red	Orange
NLP252018-330□-PF	33	2.52	10/5	20	2.52	25	4.00	400	Orange	Orange	Orange
NLP252018-470□-PF	47	2.52	10/5	16	2.52	20	8.00	300	Yellow	Violet	Orange

NOTE:

□-tolerance J=±5% / K=±10% / M=±20%

1. Operating temperature range - 25 °C ~ 85 °C

2. IDC: Applied the current to coils, the inductance shall be less than 10% initial value.



Wire Wound Ferrite Chip Inductors- NLP Series

NLP series Wire Wound Chip inductors For High Current Application

Electrical Characteristics

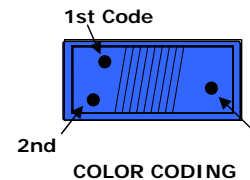
Part Number	Inductance Test Frequency Tolerance			Q min	Test Frequency SRF Min		Rdc Max	Idc Max	Color Coding		
	(uH)	(MHz)	(±%)		(MHz)	(MHz)			1st	2nd	3rd
NLP322522-1R0□-PF	1.0	7.96	10/5	20	7.96	100	0.08	1500	Brown	Black	Red
NLP322522-1R5□-PF	1.5	7.96	10/5	20	7.96	80	0.13	1125	Brown	Green	Red
NLP322522-2R2□-PF	2.2	7.96	10/5	20	7.96	68	0.13	970	Red	Red	Red
NLP322522-3R3□-PF	3.3	7.96	10/5	20	7.96	54	0.16	837	Orange	Orange	Red
NLP322522-4R7□-PF	4.7	7.96	10/5	20	7.96	43	0.20	675	Yellow	Violet	Red
NLP322522-6R8□-PF	6.8	7.96	10/5	20	7.96	33	0.27	600	Blue	Gray	Red
NLP322522-100□-PF	10	2.52	10/5	15	2.52	28	0.36	520	Brown	Black	Orange
NLP322522-150□-PF	15	2.52	10/5	15	2.52	19	0.56	480	Brown	Green	Orange
NLP322522-220□-PF	22	2.52	10/5	15	2.52	16	0.77	310	Red	Red	Orange
NLP322522-330□-PF	33	2.52	10/5	15	2.52	12	1.10	270	Orange	Orange	Orange
NLP322522-470□-PF	47	2.52	10/5	15	2.52	10	1.64	210	Yellow	Violet	Orange
NLP322522-680□-PF	68	2.52	10/5	15	2.52	9	2.80	189	Blue	Gray	Orange
NLP322522-101□-PF	100	0.796	10/5	15	0.796	6	3.70	145	Brown	Black	Yellow
NLP322522-151□-PF	150	0.796	10/5	15	0.796	5	6.10	120	Brown	Green	Yellow
NLP322522-221□-PF	220	0.796	10/5	15	0.796	4	8.40	100	Red	Red	Yellow
NLP322522-331□-PF	330	0.796	10/5	15	0.796	3.5	12.3	80	Orange	Orange	Yellow
NLP322522-471□-PF	470	0.796	10/5	15	0.796	2.8	22.0	75	Yellow	Violet	Yellow
NLP322522-681□-PF	680	0.796	10/5	15	0.796	2	22.0	65	Blue	Gray	Yellow

NOTE:

□-tolerance J=±5% / K=±10% / M=±20%

1. Operating temperature range – 25°C ~ 85°C

2. IDC: Applied the current to coils, the inductance shall be less than 10% initial value.



Wire Wound Ferrite Chip Inductors- NLP Series

NLP series Wire Wound Chip inductors For High Current Application

Electrical Characteristics

Part Number	Inductance (uH)	Tolerance (±%)	Q min	Test Frequency (MHz)	SRF (MHz)min	DC Resistance (Ω) Max	IDC (mA)Max
NLP322522-1R0□-PF	1.0	10	10	7.96	200	0.11	1050
NLP322522-1R2□-PF	1.2	10	10	7.96	155	0.12	1000
NLP322522-1R5□-PF	1.5	10	10	7.96	130	0.15	950
NLP322522-1R8□-PF	1.8	10	10	7.96	100	0.16	900
NLP322522-2R2□-PF	2.2	10	10	7.96	80	0.18	850
NLP322522-2R7□-PF	2.7	10	10	7.96	55	0.20	800
NLP322522-3R3□-PF	3.3	10	10	7.96	45	0.22	750
NLP322522-3R9□-PF	3.9	10	10	7.96	40	0.24	700
NLP322522-4R7□-PF	4.7	10	10	7.96	35	0.27	650
NLP322522-5R6□-PF	5.6	10	10	7.96	30	0.30	650
NLP322522-6R8□-PF	6.8	10	10	7.96	28	0.35	600
NLP322522-8R2□-PF	8.2	10	10	7.96	25	0.40	600
NLP322522-100□-PF	10	10	10	2.52	22	0.50	550
NLP322522-120□-PF	12	10	10	2.52	21	0.60	500
NLP322522-150□-PF	15	10	10	2.52	20	0.70	450
NLP322522-180□-PF	18	10	10	2.52	18	0.80	400
NLP322522-220□-PF	22	10	10	2.52	17	0.90	370
NLP322522-270□-PF	27	10	10	2.52	15	1.20	330
NLP322522-330□-PF	33	10	10	2.52	14	1.40	300
NLP322522-390□-PF	39	10	10	2.52	12	1.60	280
NLP322522-470□-PF	47	10	10	2.52	11.5	1.90	260
NLP322522-560□-PF	56	10	10	2.52	10.5	2.20	240
NLP322522-680□-PF	68	10	10	2.52	9.0	2.60	220
NLP322522-820□-PF	82	10	10	2.52	8.5	3.50	200
NLP322522-101□-PF	100	10	20	0.796	7.0	4.00	180
NLP322522121□-PF	120	10	20	0.796	6.5	4.50	160
NLP322522-151□-PF	150	10	20	0.796	6.0	6.50	140
NLP322522-181□-PF	180	10	20	0.796	5.5	7.50	120
NLP322522-221□-PF	220	10	20	0.796	5.0	9.00	120
NLP322522-271□-PF	270	10	20	0.796	4.5	11.0	100
NLP322522-331□-PF	330	10	20	0.796	4.0	13.0	90

NOTE:

□-tolerance J=±5% / K=±10% / M=±20%

1.Operating temperature range – 25 °C ~ 85 °C

2.IDC:Applied the current to coils, the inductance shall be less than 10% initial value.

Wire Wound Ferrite Chip Inductors- NLP Series

NLP series Wire Wound Chip inductors For High Current Application

Electrical Characteristics

Part Number	Inductance (uH)	Tolerance (±%)	Q min	Test Frequency (MHz)	SRF (MHz)min	DC Resistance (Ω) Max	IDC (mA)Max
NLP565050-1R0□-PF	1.0	10	10	7.96	95	0.03	1800
NLP565050-1R2□-PF	1.2	10	10	7.96	70	0.035	1700
NLP565050-1R5□-PF	1.5	10	10	7.96	55	0.04	1600
NLP565050-1R8□-PF	1.8	10	10	7.96	47	0.05	1400
NLP565050-2R2□-PF	2.2	10	10	7.96	42	0.06	1300
NLP565050-2R7□-PF	2.7	10	10	7.96	37	0.07	1200
NLP565050-3R3□-PF	3.3	10	10	7.96	34	0.08	1120
NLP565050-3R9□-PF	3.9	10	10	7.96	32	0.09	1050
NLP565050-4R7□-PF	4.7	10	10	7.96	29	0.11	950
NLP565050-5R6□-PF	5.6	10	10	7.96	26	0.13	880
NLP565050-6R8□-PF	6.8	10	10	7.96	24	0.15	810
NLP565050-8R2□-PF	8.2	10	10	7.96	22	0.18	750
NLP565050-100□-PF	10	10	10	2.52	19	0.21	690
NLP565050-120□-PF	12	10	10	2.52	17	0.25	630
NLP565050-150□-PF	15	10	10	2.52	16	0.30	580
NLP565050-180□-PF	18	10	10	2.52	14	0.36	530
NLP565050-220□-PF	22	10	10	2.52	13	0.43	480
NLP565050-270□-PF	27	10	10	2.52	11.5	0.52	440
NLP565050-330□-PF	33	10	10	2.52	10.5	0.62	400
NLP565050-390□-PF	39	10	10	2.52	9.5	0.72	370
NLP565050-470□-PF	47	10	10	2.52	8.5	0.85	340
NLP565050-560□-PF	56	10	10	2.52	7.8	1.00	310
NLP565050-680□-PF	68	10	10	2.52	7	1.2	290
NLP565050-820□-PF	82	10	10	2.52	6.4	1.4	270
NLP565050-101□-PF	100	10	20	0.796	6	1.6	250
NLP565050121□-PF	120	10	20	0.796	5.4	1.9	230
NLP565050-151□-PF	150	10	20	0.796	4.8	2.2	210
NLP565050-181□-PF	180	10	20	0.796	4.4	2.8	190
NLP565050-221□-PF	220	10	20	0.796	3.9	3.4	170
NLP565050-271□-PF	270	10	20	0.796	3.6	4.2	155
NLP565050-331□-PF	330	10	20	0.796	3.2	4.9	140
NLP565050-391□-PF	390	10	20	0.796	2.9	5.8	130
NLP565050-471□-PF	470	10	20	0.796	2.6	7.0	120
NLP565050-561□-PF	560	10	20	0.796	2.4	8.5	110
NLP565050-681□-PF	680	10	20	0.796	2.2	10	100
NLP565050-821□-PF	820	10	20	0.796	2	13	90
NLP565050-102□-PF	1000	10	20	0.252	1.8	15	85

NOTE:

□-tolerance J=±5% / K=±10% / M=±20%

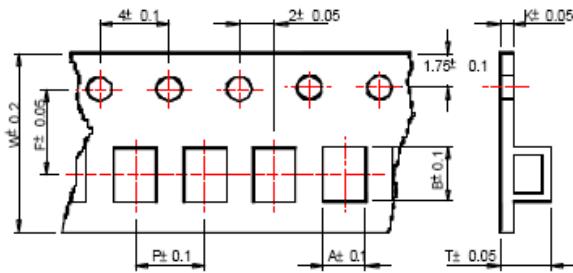
1.Operating temperature range – 2 5 °C ~ 8 5 °C

2.IDC:Applied the current to coils, the inductance shall be less than 10% initial value.

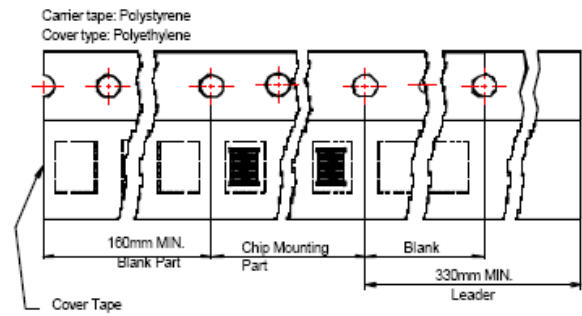
Wire Wound Ferrite Chip Inductors-NLP-Series

PACKAGING

Tape Dimensions



Tape Material



Reel Dimensions

Figure 1

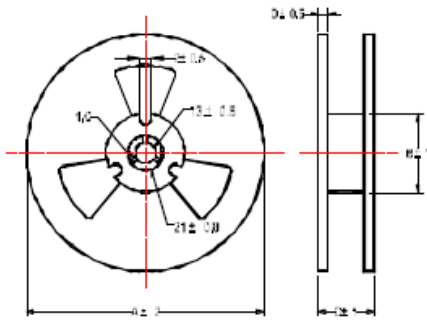
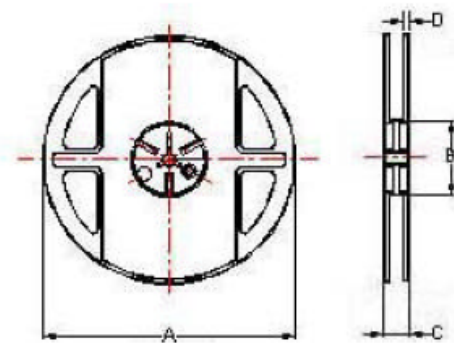


Figure 2



TYPE	Tape Dimensions							Fig	Reel Dimensions				Quantity/Reel
	A	B	T	W	P	F	K		A	B	C	D	
NLP201614	1.85	2.45	0.23	8	4	3.5	1.45	2	178	60	12	1.5	2000
NLP252018	2.7	2.95	0.23	8	4	3.5	2.25	2	178	60	12	1.5	2000
NLP322522	2.96	3.6	2.4	8	4	3.5	0.23	2	178	60	12	1.5	2000
NLP453232	3.30	5.0	3.5	12	8	5.5	0.30	2	178	60	16	1.4	500
NLP565050	5.35	6.1	5.5	16	12	7.5	0.35	1	330	100	22	2.3	1000